

# CRYST RAMA



1958

95 Cantiague Rock Road, Westbury NY 11590  
 ph:516.931.9090 fax: 516. 931.1254  
 info@crystorama.com www.crystorama.com

## MODEL#: 9804-CH ASSEMBLY AND DRESSING INSTRUCTIONS

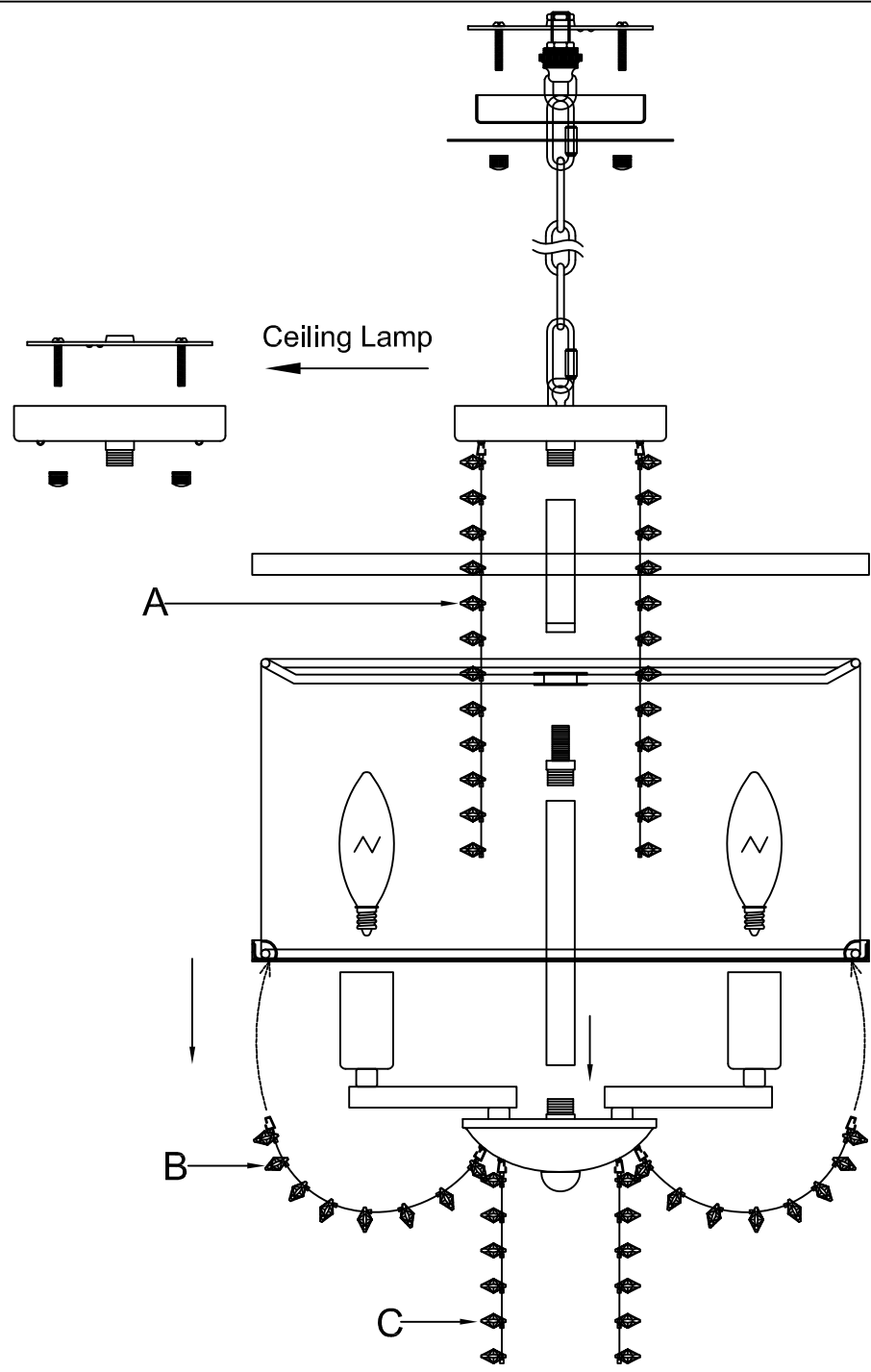
**WARNING:**

Electrical Danger    Turn Power Off

All electrical components must be installed by a licensed electrician in accordance with the National Electric Code and the appropriate local electrical codes.



You will need 3-Cand. bulb  
 40 Watts Recommended  
 60 Watts Max  
 Bulb not included.



A= (14mmX12pcs)X15sets

B= (14mmX8pcs)X9sets

C= (14mmX6pcs)X12sets