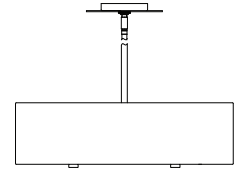
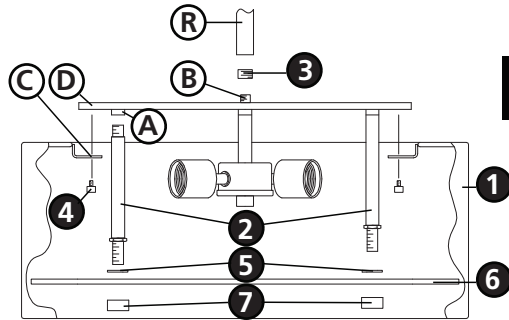


Family: Cirrus | Item No. 3804 BN



Drawing 1 - Assembly



▼ start here

1

1. Find a clear area in which you can work.
2. Unpack fixture and glass from carton.
3. Carefully review instructions prior to assembly.

***** The construction of this fixture will be accomplished by first assembling the main body of the fixture, determining rod length, assembling the rods, attaching mounting assembly, hanging the fixture from the ceiling and then installing the shade.**

SAFETY WARNING: READ WIRING AND GROUNDING INSTRUCTIONS (I.S. 18) AND ANY ADDITIONAL DIRECTIONS. TURN POWER SUPPLY OFF DURING INSTALLATION. IF NEW WIRING IS REQUIRED, CONSULT A QUALIFIED ELECTRICIAN OR LOCAL AUTHORITIES FOR CODE REQUIREMENTS.

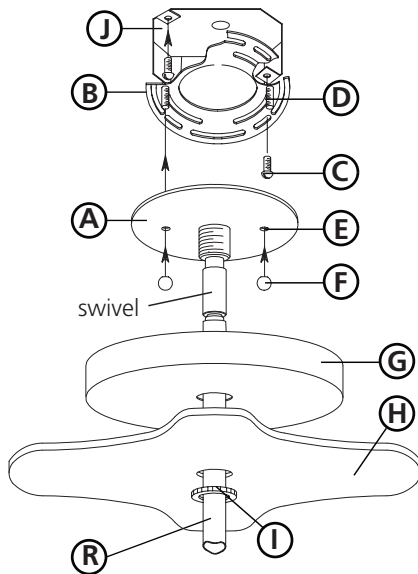
2

1. Thread uprights (2) into coupler (A) on bottom of crossbar (1).
2. It will be necessary to determine the rod (R) length you will require at this time.
Note: this fixture can not be mounted flush to the canopy or directly to the swivel. A minimum rod length of 4" is required.
3. Thread reducer (3) onto threaded tubing (B) at the center of the crossbar (1).
4. Attach rods (R) to the main body by sliding them along the wire and threading them together.
5. Please refer to the hanging instruction sheet (I.S. 19-80) provided to hang fixture. Then refer back to this sheet to install glass.

3

1. Remove barrel nut stud (4) from top of crossbar (1) - see **Drawing 2**.
2. Align shade brackets (C) with holes (D) in top of crossbar (1).
3. Thread barrel nut studs (4) through shaded bracket (C) and into hole (D) in bottom of crossbar (1) to secure shade.
4. Fixture can now be lamped accordingly.
5. Slip plastic washer (5) onto ends of uprights (2).
6. Slip end of uprights (2) through the holes in the lens (6) and hold in position.
7. Thread caps (7) onto end of uprights (2) and tighten to secure the lens.

Drawing 1 - Fixture Assembly



▼ start here

SAFETY WARNING: READ WIRING AND GROUNDING INSTRUCTIONS (I.S. 18) AND ANY ADDITIONAL DIRECTIONS. TURN POWER SUPPLY OFF DURING INSTALLATION. IF NEW WIRING IS REQUIRED, CONSULT A QUALIFIED ELECTRICIAN OR LOCAL AUTHORITIES FOR CODE REQUIREMENTS.

1

1. Shut off electrical current before starting. If the fixture you are replacing is turned on and off by a wall switch, simply turn the switch off. If not, remove the appropriate fuse (or open the circuit breakers) until the fixture is dead.

- DO NOT restore current - either by fuse, breaker or switch - until the new fixture is completely wired and in place.

2

1. In the following order: take retainer ring (I), decorative plate (H) (if used) and canopy (G) and slide them over the rods (R) attached previously.
2. Slip mounting plate with swivel (A) along wires and thread into top of rods (R).
3. Attach universal mounting strap (B) to the junction box (J) with screws (C).
4. Slip holes (E) in mounting plate with swivel (A) over screws (D) in universal mounting strap (B).
5. Thread ball knobs (F) onto screws (D) to secure fixture to universal strap (B).
6. All necessary wiring can be done at this time. Please follow I.S. 18 for wiring instructions.
7. Slip canopy (G) up along rods (R) and over mounting plate with swivel (A).
8. If installing optional decorative plate, slip decorative plate (H) up to canopy (G).
9. Slip retaining ring (L) up to canopy and thread onto coupler (K), located on the mounting plate and swivel assembly, to secure parts.
10. Return to assembly instruction to complete assembly of this fixture.

Drawing 1 - Flush Mount



Drawing 2 - Chain Hung



Drawing 3 - Post-Mount



SAFETY WARNING: READ WIRING AND GROUNDING INSTRUCTIONS (I.S. 18) AND ANY ADDITIONAL DIRECTIONS. TURN POWER SUPPLY OFF DURING INSTALLATION. IF NEW WIRING IS REQUIRED, CONSULT A QUALIFIED ELECTRICIAN OR LOCAL AUTHORITIES FOR CODE REQUIREMENTS.

wiring instructions

Indoor Fixtures

1. Connect positive supply wire **(A)** (typically black or the smooth, unmarked side of the two-conductor cord) to positive fixture lead **(B)** with appropriately sized twist on connector - see **Drawings 1 or 2**.
2. Connect negative supply wire **(C)** (typically white or the ribbed, marked side of the two-conductor cord) to negative fixture lead **(D)**.
3. Please refer to the **grounding instructions** below to complete all electrical connections.

Outdoor Fixtures

1. Connect positive supply wire **(A)** (typically black or the smooth unmarked side of the two-conductor cord) to positive fixture lead **(B)** with appropriately sized twist on connector - see **Drawings 2 or 3**.
2. Connect negative supply wire **(C)** (typically white or the ribbed, marked side of the two-conductor cord) to negative fixture lead **(D)**.
3. Cover open end of connectors with silicone sealant to form a watertight seal.
 - If installing a wall mount fixture, use caulk to seal gaps between the fixture mounting plate (backplate) and the wall. This will help prevent water from entering the outlet box. If the wall surface is lap siding, use caulk and a fixture mounting platform specially.
4. Please refer to the **grounding instructions** below to complete all electrical connections.

grounding instructions

Flush Mount Fixtures

For positive grounding in a 3-wire electrical system, fasten the fixture ground wire **(E)** (typically copper or green plastic coated) to the fixture mounting strap **(1)** with the ground screw **(2)** - see **Drawing 1**.

Note: On straps for screw supported fixtures, first install the two mounting screws in strap. Any remaining tapped hole may be used for the ground screw.

Chain Hung Fixtures

Loop fixture ground wire **(E)** (typically copper or green plastic coated) under the head of the ground screw **(2)** on fixture mounting strap **(1)** and connect to the loose end of the fixture ground wire directly to the ground wire of the building system with appropriately sized twist-on connectors - see **Drawing 2**.

Post-Mount Fixtures

Connect fixture ground wire **(E)** (typically copper or green plastic coated) to power supply ground with appropriately sized twist-on connector inside post. Cover open end of connector with silicone sealant to form a watertight seal - see **Drawing 3**.