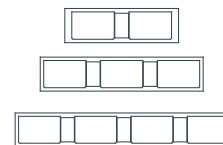
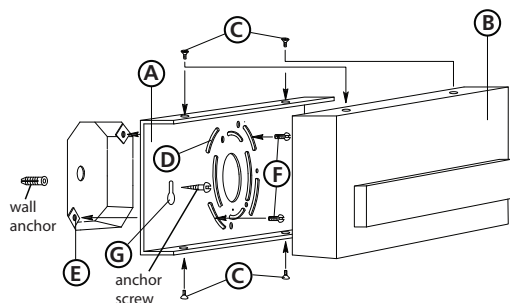


Item No. 55482 / 55483 / 55484



▼ start here

Drawing 1 - Fixture Mounting



1

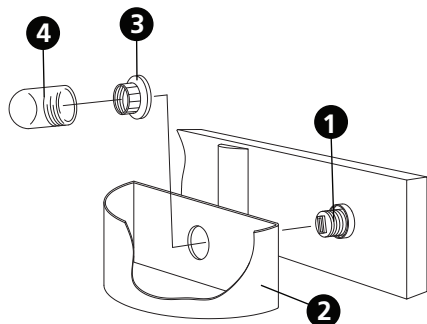
1. Find a clear area in which you can work.
2. Unpack fixture and glass from carton.
3. Carefully review instructions prior to assembly.

***** The construction of this fixture will be accomplished by first mounting the mounting strap to the junction box, making all necessary electrical connections, mounting the fixture to the wall, and then installing the glass.**

2

1. Remove main mounting plate (A) from fixture back plate (B) by removing the four flat head screws (C) - see **Drawing 1**.
2. Slide the wires from the junction box, through the large center hole, making sure curved slots (D) line up with the threaded holes (E) in the junction box.
3. Using two 8-32 screws (F) attach the main mounting plate (A) to the junction box, making sure side of mounting plate (A) is square to ceiling.
4. Additional wall anchors supplied can be installed at keyhole points (G).

Drawing 2 - Fixture Assembly



3

Make electrical connections from supply wire to fixture lead wires. Refer to instruction sheet (I.S. 18) and follow all instructions to make all necessary wiring connections. Then refer back to this sheet to continue installation of this fixture.

4

1. Mount the fixture by sliding the back plate (B) over mounting plate (A) - see **Drawing 1**.
2. Attach the back plate (B) to the mounting plate (A) using the screws (C).

5

1. To install glass first unthread socket ring (3) from socket (1).
2. Slip glass (2) over socket (1).
3. Thread socket ring (3) onto socket (1), before tightening socket ring adjust glass.
4. Tighten socket ring (3) after adjusting glass. install G-9 lamp provided, and then thread glass bulb shield (4) onto socket (1) and tighten till snug.