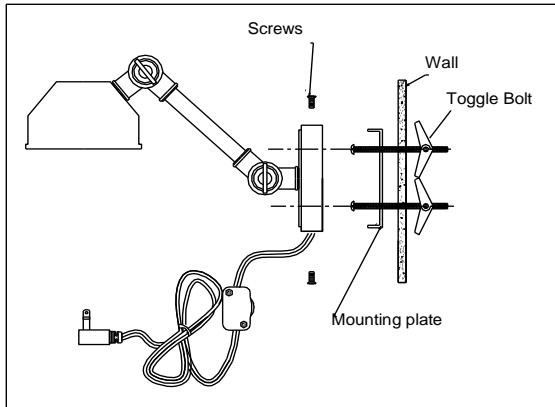
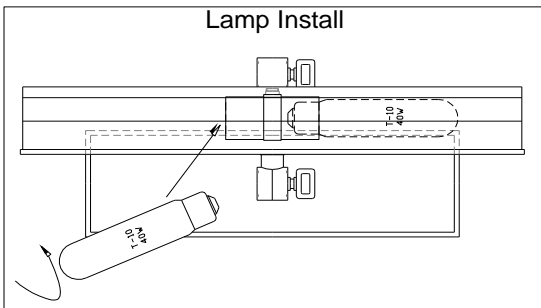


## 7008,7016,7023,7030 & 7042

Portable Mounting



Lamp Install



### GENERAL

1. To ensure the success of the fixture installation, the following instructions and diagram(s) should be read and understood.

2. All electrical connections must be made in accordance with the National Electric code and local codes and ordinances. If you are uncertain of the methods of installing electrical wiring and lighting fixtures secure the services of a qualified licensed electrician.

**3. TOOLS NEEDED:** Blade screwdriver, phillips screwdriver, slip joint pliers or small adjustable wrench, wire cutter/stripper, electrical current tester, stepladder and electrical tape. **NOTE:** The important safeguards and instructions outlined on this sheet are not meant to cover all possible conditions and situations that may occur. It must be understood that common sense, caution and care are factors that cannot be built into any product. Caution and care must be supplied by the person(s) installing, operating and maintaining this lighting fixture.

### INSTALLATION PREPARATION

**1. TURN OFF THE ENTIRE ELECTRICAL CIRCUIT TO WHICH THE LIGHTING FIXTURE IS TO BE ATTACHED.** Move the appropriate circuit breaker to the "off" position or completely remove the fuse controlling the circuit.

2. This fixture is designed to be mounted as portable & hardwire, this is a convertible fixture.

### FIXTURE INSTALLATION

1. Remove the fixture, shades and parts bag(s) from the carton. Before discarding the carton, double check packing to make certain that all parts are found.
2. Place the mounting plate to the wall, make sure the plate is horizontal, drill holes.
3. Put the toggle bolt into the holes, mount the mounting plate with the screws.
4. Mount the fixture onto the mounting plate with the screws.
5. Plug the wire into the power outlet.

**NOTE:** 7008,7016,7023 are rated for 60 watt type T10 lamp (s)  
7380 is rated for 40 watt type T10 lamps. 7042 is rated for 25 watt type T10 lamps.  
**DO NOT EXCEED RECOMMENDED WATTAGE !**

11. Restore power to circuit at breaker or fuse box.

