

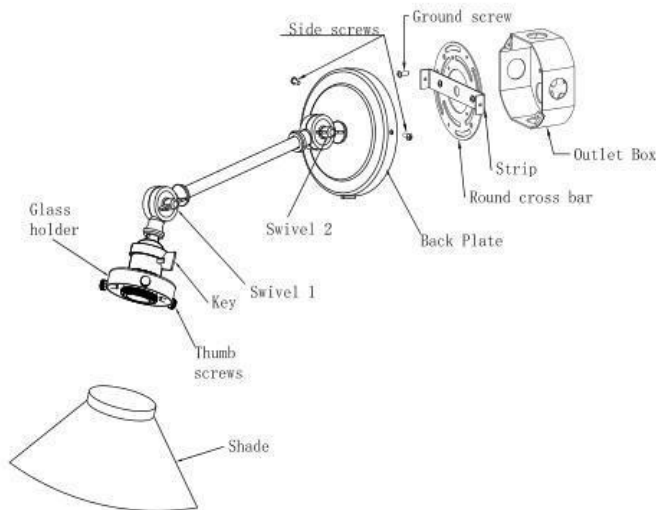


Assembly Instructions for 1255

We recommend installation of this fixture be done by a licensed electrician. Turn off power at the main fuse or circuit breaker box. **DO NOT EXCEED RECOMMENDED WATTAGE!**

**** Actual parts may vary slightly depending upon them model**

Direct Wire Installation:



1. Remove the parts carefully from the box before discarding the carton.
2. Attach round cross bar with strip to the outlet box with ground screw facing out.
3. Fasten ground wire to green screw, Fasten lead wire (or white wire) with ridges to the white wire. Use wire nut to fasten it.
4. Fasten smooth (or black wire) lead wire to the black wire in the box & use nut to fasten it.
5. Determine wall or ceiling installation. Place the fixture over the outlet box with holes on the backplate/canopy aligning with the strip.
6. Secure the fixture with fixtures screws.
7. Using 3 thumb screws, fasten the shade on the glass holder.
8. Both swivels can be adjusted by 180 degrees. For ceiling mount installation; socket can be facing down
9. Key on socket can be used to turn fixture on/off. Using 3-way bulb is optional.
10. Install bulbs (not included).
11. Restore circuit breaker.

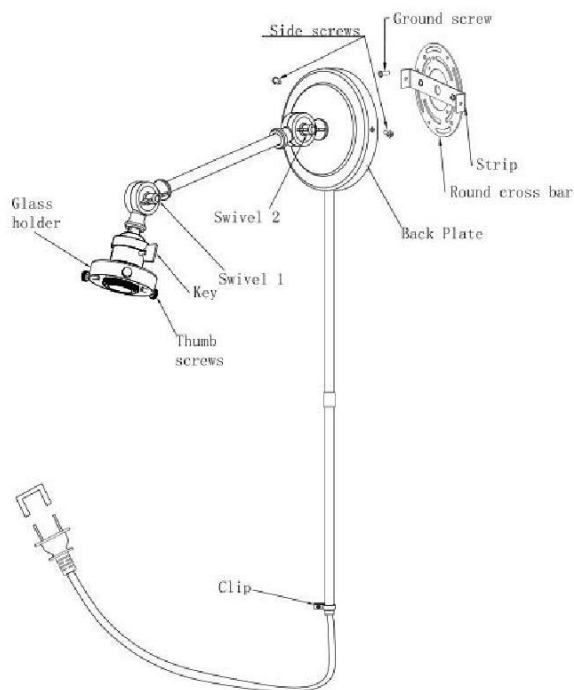
***Never touch the sconce/shade while power is on. To change bulb, allow 15 minutes for fixture to cool down.**



Assembly Instructions for 1255

We recommend installation of this fixture be done by a licensed electrician. Turn off power at the main fuse or circuit breaker box. **DO NOT EXCEED RECOMMENDED WATTAGE!**

**** Actual parts may vary slightly depending upon them model**



Cord Cover Installation

1. Remove the parts carefully from the box before discarding the carton.
2. Threaded nipple of cord cover should be screwed into bottom threaded opening of back plate. Thread bottom cord cover into top cord cover.
3. Install the clip on the wall using screws & anchors.
4. Drill small holes along with anchors to attach round cross bar with strip to the wall with ground screw facing out.
5. Fasten ground wire to green screw, Fasten lead wire (or white wire) with ridges to the white wire. Use wire nut to fasten it.
6. Fasten smooth (or black wire) lead wire to the black wire in the box & use nut to fasten it.
7. Place the fixture over the cross bar with holes on the backplate/canopy aligning with the strip.
8. Follow Step 6 onwards from Direct wire installation.