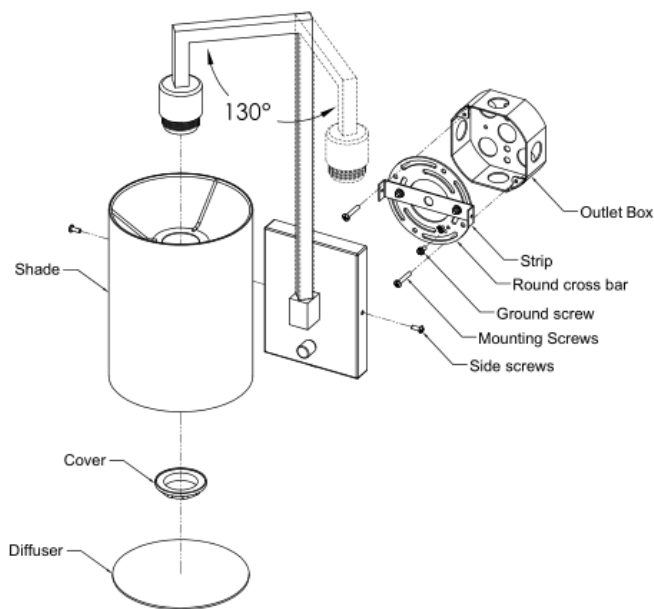


Assembly Instructions for 1260

We recommend installation of this fixture be done by a licensed electrician. Turn off power at the main fuse or circuit breaker box. DO NOT EXCEED RECOMMENDED WATTAGE!

**** Actual parts may vary slightly depending upon the model**



1. Remove the parts carefully from the box before discarding the carton
2. Attach round cross bar with strip to the outlet box with ground screw facing out.
3. Fasten ground wire to green screw, Fasten lead wire (or white wire) with ridges to the white wire. Use wire nut to fasten it.
4. Fasten smooth (or black wire) lead wire to the black wire in the box & use nut to fasten it.
5. Place the fixture over the outlet box with holes on the backplate/canopy aligning with the strip.
6. Secure the fixture using fixture screws.
7. Unscrew the socket cover & install the shade over the socket. Diffuser can be installed on the bottom of the shade but using diffuser reduces maximum wattage to 60 watts (without diffuser is 100 watts). On/off switch is located on the wall plate
8. Install bulbs (not included).
9. Restore circuit breaker.
10. Arm of the fixture swings right and left.

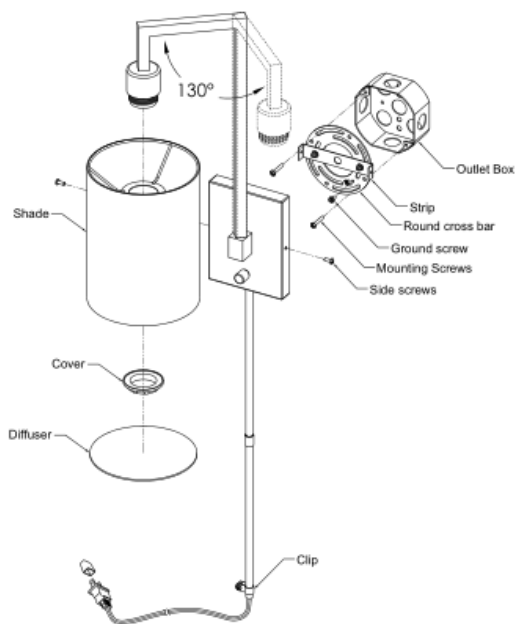
***Never touch the sconce/shade while power is on. To change bulb, allow 15 minutes for fixture to cool down.**

Assembly Instructions for 1260

We recommend installation of this fixture be done by a licensed electrician. Turn off power at the main fuse or circuit breaker box. **DO NOT EXCEED RECOMMENDED WATTAGE!**

** Actual parts may vary slightly depending upon the model

Cord Cover Installation



1. Remove the parts carefully from the box before discarding the carton.
2. Threaded nipple of cord cover should be screwed into bottom threaded opening of back plate. Thread bottom cord cover into top cord cover.
3. Install the clip on the wall using screws & anchors.
4. Drill small holes along with anchors to attach round cross bar with strip to the wall with ground screw facing out.
5. Fasten ground wire to green screw, Fasten lead wire (or white wire) with ridges to the white wire. Use wire nut to fasten it.
6. Fasten smooth (or black wire) lead wire to the black wire in the box & use nut to fasten it.
7. Place the fixture over the cross bar with holes on the backplate/canopy aligning with the strip.
8. Follow Step 6 onwards from Direct wire installation.