

PRODUCT SPECIFICATIONS

OVERALL ASSEMBLED DIMENSIONS

HEIGHT: 152.4 CM (60"), LENGTH: 45.7 CM (18"), WIDTH: 38 CM (15").

- 1 LIGHT:** UL APPROVED FOR WET LOCATION, 120V, 60HZ, 100 WATT, MEDIUM BASE E-26 CERAMIC SOCKET. ON/OFF PUSH BUTTON SWITCH LOCATED AS SHOWN.

- SHADE:** TAN TAPERED RECTANGULAR SHADE WITH GOLDEN LINING, 29.2 CM (11-1/2") LENGTH x 22.9 CM (9") WIDTH (TOP) x 45.7 CM (18") LENGTH x 38 CM (15") WIDTH (BOTTOM) x 30.5 CM (12") SLANT HEIGHT. THE SPIDER DIAMETER IS NOT LESS THAN $\phi 4$ MM, THE SPIDER IS IN WHITE FINISH, SHAPED AS SHOWN. THE SHADE FABRIC CONTENT: 30% COTTON AND 70% TERYLENE.

- GLASS DOME:** CLEAR GLASS, 9.8 CM (3-7/8") DIA. x 14 CM (5-1/2") HEIGHT, SHAPED AS SHOWN.

- CUP:** PAINTED STEEL IN OIL RUBBED BRONZE FINISH, 10 CM (3-7/8") DIA. MAX. x 7 CM (2-3/4") HEIGHT, SHAPED AS SHOWN.

- COLUMN:** PAINTED RESIN IN OIL RUBBED BRONZE FINISH, 10.2 CM (4") LENGTH x 7.6 CM (3") WIDTH x 6.4 CM (2-1/2") HEIGHT. SHAPED AS SHOWN.

- POLES:** PAINTED STEEL IN OIL RUBBED BRONZE FINISH, 5 CM (2") LENGTH x 3 CM (1-3/16") WIDTH RECTANGULAR TUBING, 55 CM (21-5/8") LENGTH, (2) POLES INCLUDED.

- SLATE FRAME:** NATURAL RUSTY GREEN SLATE, 23 CM (9") LENGTH x 5.5 CM (2-1/8") WIDTH x 58 CM (22-13/16") HEIGHT. SHAPED AS SHOWN.

- BASE:** PAINTED RESIN IN OIL RUBBED BRONZE FINISH, 33 CM (13") LENGTH x 20.3 CM (8") WIDTH x 4.5 CM (1-3/4") HEIGHT. SHAPED AS SHOWN.

- CORD:** UL APPROVED FOR WET LOCATION, MIN 305 CM (10 FT.) LENGTH, 18 AWG., 3 CONDUCTORS, 105°C, TYPE SJTW, WATER PROOF. BLACK COLOR, COPPER MATERIAL. WIRES MUST BE LEAD FREE.

- LABELS:** UL AND CSA OR CUL, WARNING LABEL FOR PARTS, PARTS ARROW LABEL, MANUFACTURING DATE, MODEL # AND COUNTRY OF ORIGIN LABEL PROVIDED. RELAMPING LABEL FOR 100 WATT MAX. TYPE "A" BULB PROVIDED NEAR SOCKET.

PACKAGING AND SHIPPING DETAILS

- THE LAMP IS DISASSEMBLED FOR SHIPPING. EACH PART IS CAREFULLY WRAPPED IN A PLASTIC BAG AND PLACED SECURELY IN THE INNER PACKING SO IT CAN NOT MOVE AROUND DURING SHIPPING. A SMALL BAG OF SILICA IS INCLUDED IN THE PACKAGE.

- THE CARTON IS MADE OF DOUBLE WALL, CORRUGATED CARDBOARD "A MA A". BROWN IN COLOR. THE INNER PACKING IS DIE-CUT CARDBOARD OR STYROFOAM TO PROTECT AND SECURE THE LAMP AND MUST PASS THE FEDEX AND ISTA-3A DROP TEST REQUIREMENTS.

- EACH CARTON SHALL BE PRINTED WITH A LINE DRAWING AND THE KENROY HOME NAME AND LOGO, MODEL NUMBER AND FINISH, EACH CARTON SHALL BE PROVIDED A UPC LABEL. THE UPC BAR CODE AS FOLLOWS: SL=053392066246.

OTHER DETAILS

- MODEL 30516SL INSTRUCTIONS ARE TO BE PACKED WITH EACH LAMP. INSTRUCTIONS MUST BE PRINTED CLEARLY ON QUALITY PAPER.

- ALL VISIBLE METAL PARTS MUST MATCH LAMP FINISH UNLESS OTHERWISE SPECIFIED.

- ALL BAGS MUST BE LABELED WITH OFFICIAL "THIS BAG IS NOT A TOY" STATEMENT.

- LAMP MUST REST FLAT ON SURFACE AND NOT ROCK. LAMP MUST PASS 12° TILT TEST.

- ASSEMBLY TIME: 5 MINUTES.

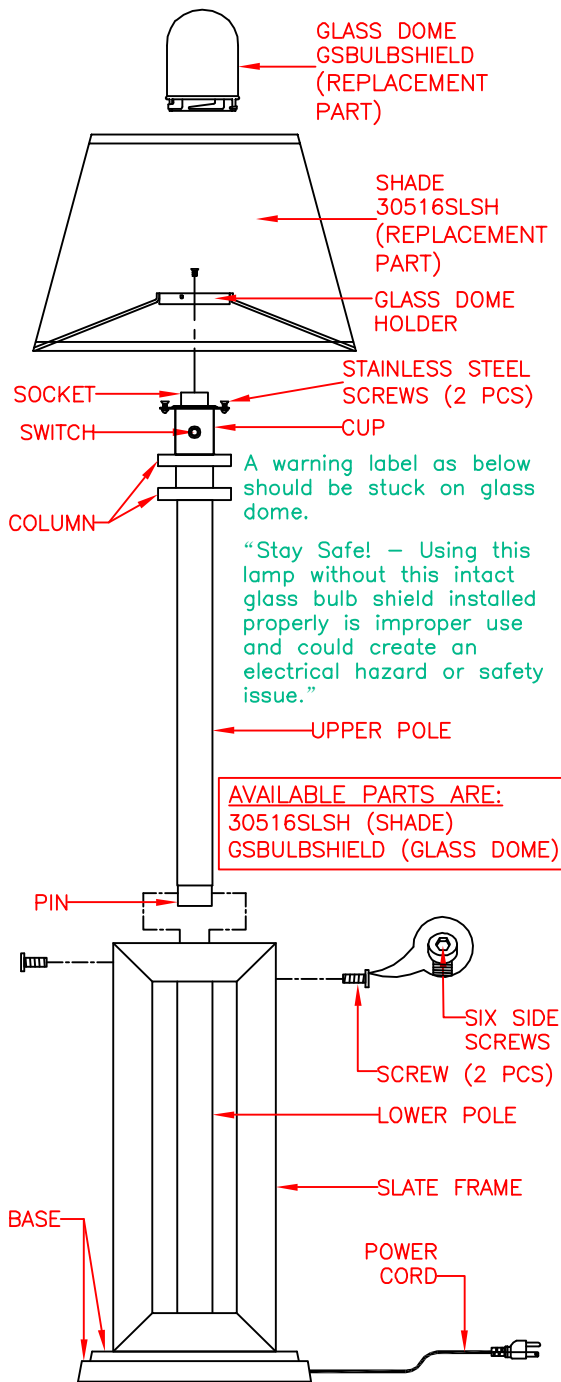
- THIS ITEM MUST BE UL APPROVED FOR WET LOCATION,

- THE UL NUMBER IS E229128.

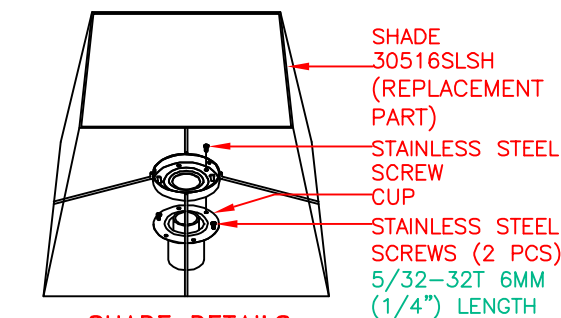
- DIMS OF BOX: 80.6 CM (31-3/4") LENGTH X 48.3 CM (19") WIDTH X 55.9 CM (22") HEIGHT. (CUFT.: 7.68')

- NET WEIGHT: 25.3 LBS. GROSS WEIGHT: 28.6 LBS.

- A 7 CM LENGTH X 4 CM WIDTH HANG TAG SHOULD BE HUNG ON THE COLUMN.



AVAILABLE PARTS ARE:
30516SLSH (SHADE)
GSBULBSHIELD (GLASS DOME)



SHADE DETAILS

KENROY HOME

3723 Regent Boulevard
JACKSONVILLE, FL. 32224
PHONE: 904-642-4340
FAX: 904-642-4150

THIS DOCUMENT AND THE INFORMATION THAT IT DISCLOSES IS THE EXCLUSIVE PROPERTY OF KENROY HOME. ANY REPRODUCTION OR USE OF THIS DRAWING IN PART OR IN WHOLE, WITHOUT THE EXPRESS CONSENT OF THE PROPRIETOR IS PROHIBITED. © 2011 KENROY HOME.

DATE: 7/22/2011

SCALE: NONE

DRAWN BY: JAMES

REFERENCE: EGRESS OUTDOOR FLOOR LAMP

REVISION DATE: 11/7/2013 change shade structure

REVISION DATE: 2/7/2015 change screws kid

REVISION DATE: 6/24/2015 add notes

REVISION DATE: 7/20/2017 add notes

MODEL #:

30516SL

FINISHES: NATURAL SLATE

PAGE: 1 OF 1