

PRODUCT SPECIFICATIONS

OVERALL ASSEMBLED DIMENSIONS

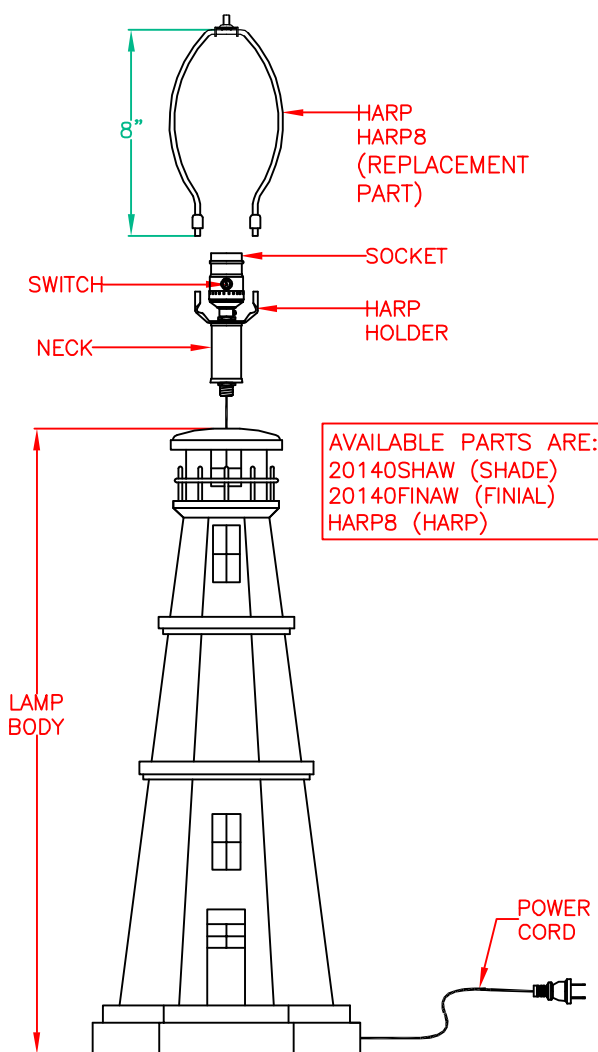
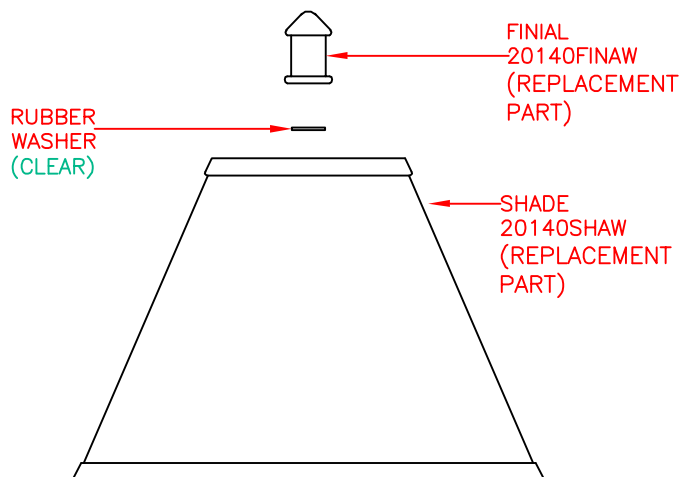
- HEIGHT: 80.6 CM (31-3/4"), DIA: 40.6 CM (16").
- 1 LIGHT:** UL LISTED, 150 WATT, MEDIUM BASE E-26 ALUMINUM SOCKET. 3-WAY ROTARY SWITCH. THE HARP, SADDLE, SPIDER AND SOCKET ARE PB FINISH.
- SHADE:** WHITE FABRIC SHADE, 17.8 CM (7") DIA. (TOP) x 40.6 CM (16") DIA. (BOTTOM) x 28 CM (11") SLANT HEIGHT. THE SPIDER DIAMETER IS NOT LESS THAN Ø4 MM. THE SHADE FABRIC CONTENT: 60% COTTON AND 40% TERYLENE.
- NECK:** PAINTED METAL, 2.5 CM (1") DIA. x 5 CM (2") LENGTH.
- LAMP BODY:** PAINTED RESIN, OCTAGON, 21.3 CM (8-3/8") POINT-POINT x 45.1 CM (17-3/4") SIDE-SIDE x 46.7 CM (18-3/8") HEIGHT. SHAPED AS SHOWN. FELT PAD INSTALLED ON BOTTOM OF LAMP BODY.
- CORD:** UL LISTED, MIN 183 CM (6 FT.) LENGTH, 18 AWG., 2 CONDUCTORS, 105°C, TYPE SPT-2, SILVER/CLEAR COLOR. WIRES MUST BE LEAD FREE.
- LABELS:** UL AND CSA OR CUL, MANUFACTURING DATE, MODEL # AND COUNTRY OF ORIGIN LABEL PROVIDED. RELAMPING LABEL FOR 150 WATT MAX. 3-WAY TYPE "A" BULB PROVIDED ON SOCKET.

PACKAGING AND SHIPPING DETAILS

- THE LAMP IS DISASSEMBLED FOR SHIPPING. EACH PART IS CAREFULLY WRAPPED IN A PLASTIC BAG AND PLACED SECURELY IN THE INNER PACKING SO IT CAN NOT MOVE AROUND DURING SHIPPING. A SMALL BAG OF SILICA IS INCLUDED IN THE PACKAGE.
- THE CARTON IS MADE OF DOUBLE WALL, CORRUGATED CARDBOARD "A MA A". BROWN IN COLOR. THE INNER PACKING IS DIE-CUT CARDBOARD OR STYROFOAM TO PROTECT AND SECURE THE LAMP AND MUST PASS THE FEDEX AND ISTA-3A DROP TEST REQUIREMENTS.
- EACH CARTON SHALL BE PRINTED WITH A LINE DRAWING AND THE KENROY HOME NAME AND LOGO, MODEL NUMBER AND FINISH, EACH CARTON SHALL BE PROVIDED A UPC LABEL. THE UPC BAR CODE AS FOLLOWS: AW=053392074050.

OTHER DETAILS

- MODEL 20140AW INSTRUCTIONS ARE TO BE PACKED WITH EACH LAMP. INSTRUCTIONS MUST BE PRINTED CLEARLY ON QUALITY PAPER.
- ALL VISIBLE PARTS, EXCEPT SHADE, MUST MATCH LAMP FINISH UNLESS OTHERWISE SPECIFIED.
- ALL BAGS MUST BE LABELED WITH OFFICIAL "THIS BAG IS NOT A TOY" STATEMENT.
- LAMP MUST REST FLAT ON SURFACE AND NOT ROCK. LAMP MUST PASS AN 8° TILT TEST.
- ASSEMBLY TIME: 5 MINUTES.
- DIMS OF BOX: 53.3 CM (21") LENGTH x 29.2 CM (11-1/2") WIDTH x 55.6 CM (21-7/8") HEIGHT. (CUFT.: 3.1')
- NET WEIGHT: 6.4 LBS. GROSS WEIGHT: 9.9 LBS.
- THE UL NUMBER ISE229128.



**KENROY
HOME**

3723 Regent Boulevard
JACKSONVILLE, FL. 32224
PHONE: 904-642-4340
FAX: 904-642-4150

THIS DOCUMENT AND THE INFORMATION THAT IT DISCLOSES IS THE EXCLUSIVE PROPERTY OF KENROY HOME. ANY REPRODUCTION OR USE OF THIS DRAWING IN PART OR IN WHOLE, WITHOUT THE EXPRESS CONSENT OF THE PROPRIETOR IS PROHIBITED. © 2007 KENROY HOME.

DATE: 8/18/2007

SCALE: NONE

DRAWN BY: JAMES

REFERENCE: NANTUCKET TABLE LAMP

APPROVAL:

REVISION DATE:
5/31/08 add parts NO.

REVISION DATE:
3/26/2013 add package drawing

REVISION DATE:
4/10/2013 add fabric content

REVISION DATE:

MODEL #:

20140

FINISHES:

AW

PAGE: 1 OF 1

MODEL: 20140AW
PACKING DIAGRAM

