

LIVING DISTRICT

Collection:Caro

Installation manual for:

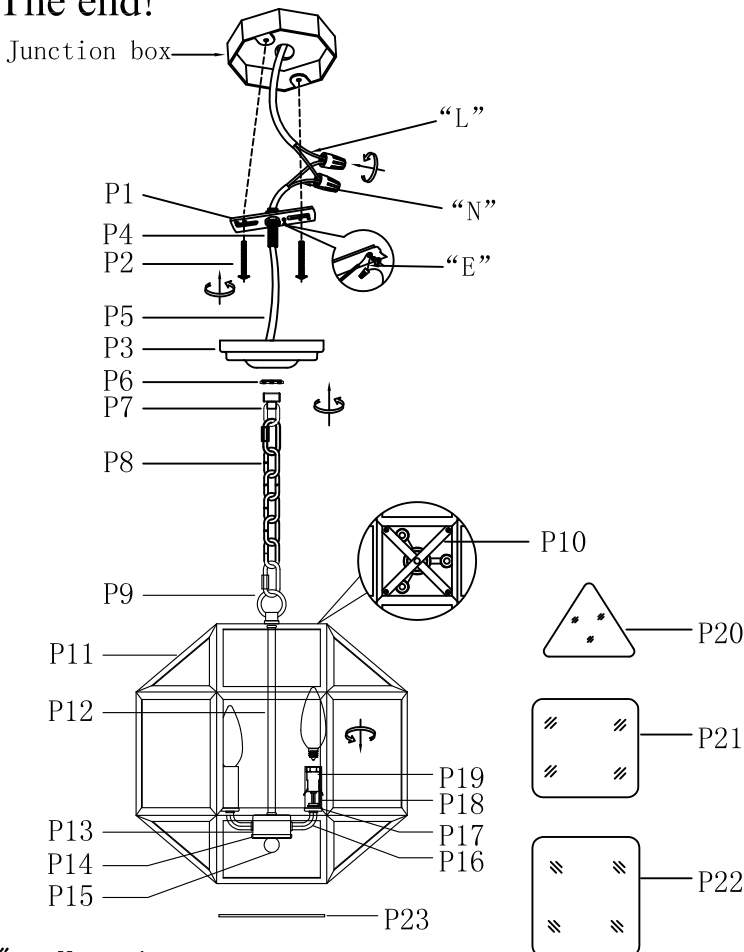
LD6001D14 D14"H15"L3

Installation instructions:

1. Black wire from ceiling(junction box) attaches to "L" wire from the fixture.
2. White wire from ceiling(junction box) attaches to "N" wire from the fixture.
3. "E" wire from the fixture is attached to the mounting bracket and an additional "E" wire from the mounting bracket must be secured to the junction box.
4. Secure mounting bracket to the junction box.
5. Insert screws (P2) in side of top unit the mounting bracket.
6. Install E12 light source, no include bulb.
7. Put the glass to the frame and screw tighten.
8. Hang the lamp body to the chain(P8) and connect the canopy lock(P7).
9. Put the canopy(P3) on the nipple(P4) and connect the canopy lock(P7), then use the canopy ring(P6) to screw tighten.

PARTS LIST

The end!



part	picture	Description	Qty	Check list
P1		L4" Mounting bracket	1	
P2		5/32-32 Screw	2	
P3		D5.4" Canopy plat	1	
P4		Nipple	1	
P5		Power Cord 8.3', 18AWG, SPT-1 Clear/Gold/Black	1	
P6		Canopy ring	1	
P7		Canopy lock	1	
P8		L5' CHAIN04P Plain Design	1	
P9		D1.5" Loop	1	
P10		D6.4" Cross	1	
P11		D14" Lamp Body	1	
P12		L10.63" Both end threaded pipe	1	
P13		D1.97" Metal Wire Box	1	
P14		D2" Wire Box	1	
P15		Cap nut	1	
P16		L1.8" Arm	3	
P17		Check ring	3	
P18		D0.87" * L2.36" Candle cover	3	
P19		E12 Socket	3	
P20		L4.7" * W4" Glass GLASS122CL	8	
P21		L6" * W5" Glass GLASS122CL	8	
P22		L5.5" * W5.1" Glass GLASS122CL	8	
P23		L5.5" * W5.5" Glass GLASS122CL	1	

"L" = Hot wire

"N" = Neutral wire

"E" = Ground wire