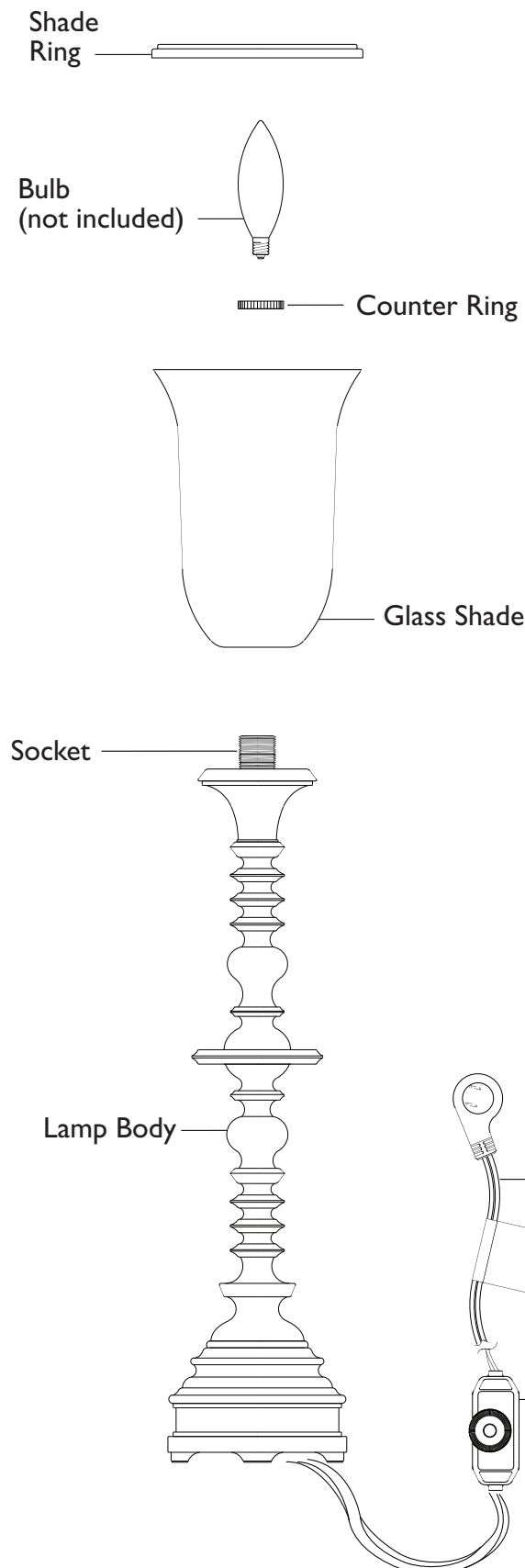


Assembly Instructions For

10016 (E) 8/10



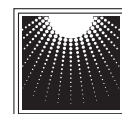
READ ALL INSTRUCTIONS BEFORE ASSEMBLING LAMP

Carefully unpack lamp parts onto carpeted surface or blanket and identify all parts.

1. Place glass shade onto lamp body. Secure by placing counter ring onto threaded socket.
2. Install shade ring onto top of glass shade.
3. Install bulb (not included). See relamping label located at socket area for type and maximum allowed wattage.

IMPORTANT SAFETY INSTRUCTIONS:

This portable lamp has a polarized plug (one blade is wider than the other) as a safety feature to reduce the risk of electric shock. This plug will fit in a polarized outlet only one way. If the plug does not fit fully in the outlet, reverse the plug. If it still does not fit contact a qualified electrician. Never use with a extension cord unless plug can be fully inserted. Do not attempt to defeat this safety feature.



**MURRAY
FEISS**

GENERATION
BRANDS™