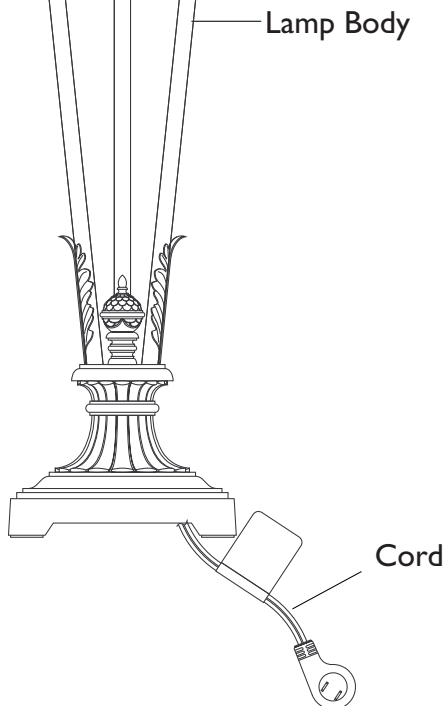
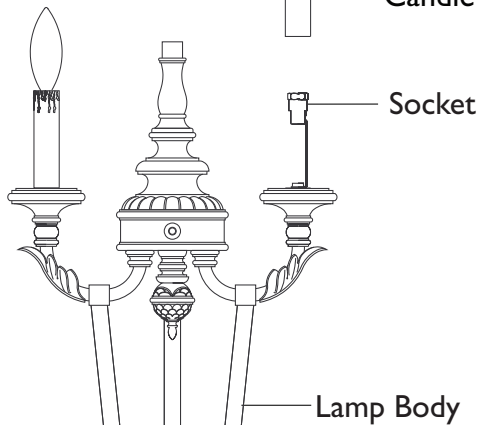
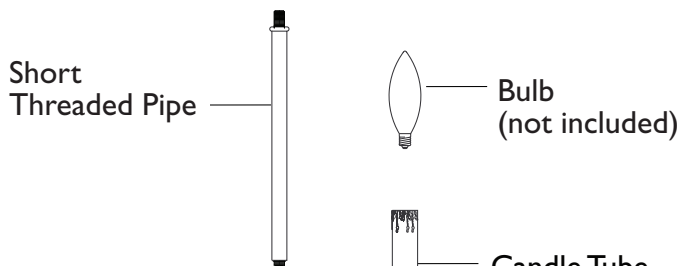
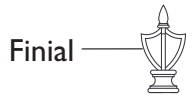


Assembly Instructions For

L9625 (E) 1/08



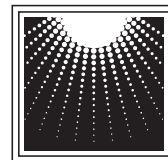
READ ALL INSTRUCTIONS BEFORE ASSEMBLING LAMP

Carefully unpack lamp parts onto carpeted surface or blanket and identify all parts.

1. Install a Type B, 60 Watt Max. Candelabra Base Bulbs (not included) into Sockets as noted on relamping label at Socket area.
2. Install Shade onto short threaded pipe and screw finial onto short threaded pipe to secure shade.

IMPORTANT SAFETY INSTRUCTIONS:

This portable lamp has a polarized plug (one blade is wider than the other) as a safety feature to reduce the risk of electric shock. This plug will fit in a polarized outlet only one way. If the plug does not fit fully in the outlet, reverse the plug. If it still does not fit contact a qualified electrician. Never use with a extension cord unless plug can be fully inserted. Do not attempt to defeat this safety feature.



**MURRAY
FEISS**

Generation Brands™