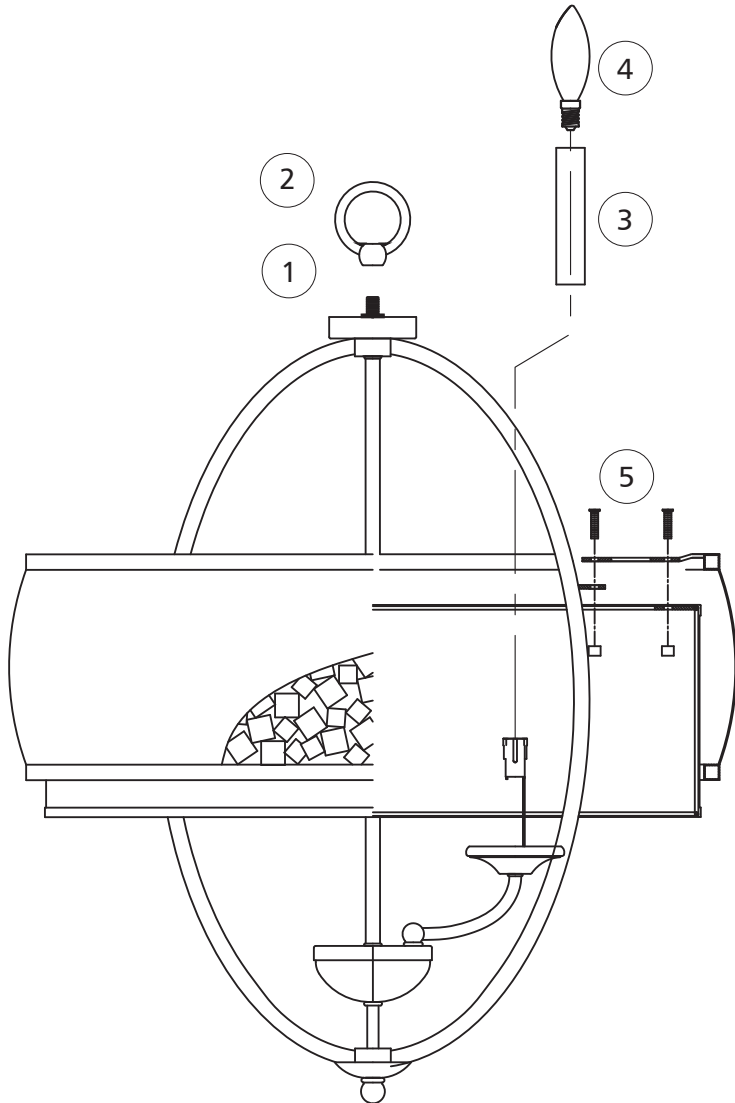


Assembly Instructions For

F2736/4

(E) 9/13



IMPORTANT
TURN OFF THE POWER AT THE MAIN FUSE OR CIRCUIT
BREAKER BOX
BEFORE STARTING INSTALLATION

Carefully unpack and identify all parts before assembly. Bulbs not included.

1. Install the fixture loop onto the top of the fixture.
2. Follow enclosed supplement installation instructions for electrical and fixture installation onto house outlet box. If you do not have an outlet box at desired location to attach the fixture then hire a qualified electrician to create one.
3. Install candle tube by slipping it through the socket.
4. Install type-B, candelabra base, of 60 Watt maximum bulbs (not included).
5. Install the shade to the frame and secure them together using the screws and thumb nuts.