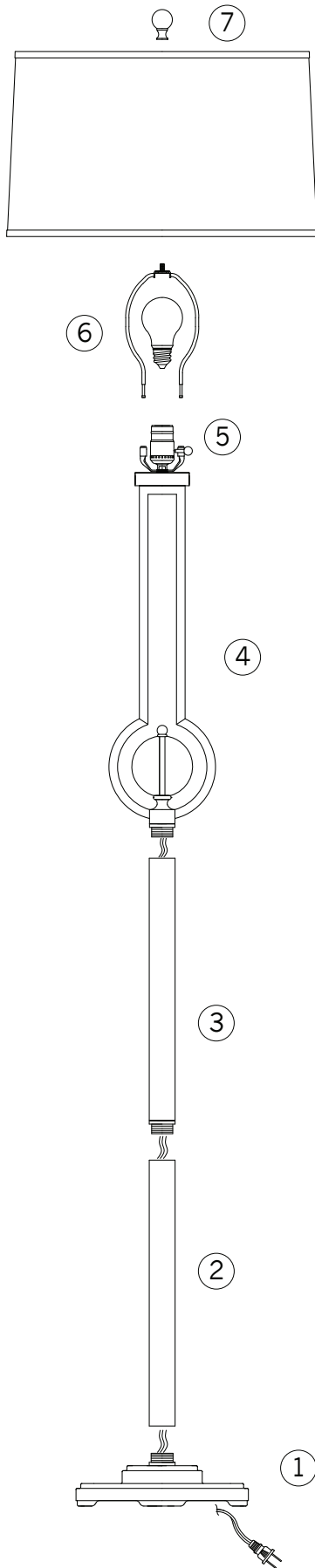


# Assembly Instructions For **FL6298** (E) 2/2012



## **READ ALL INSTRUCTIONS BEFORE ASSEMBLING LAMP**

Carefully unpack lamp parts onto carpeted surface or blanket and identify all parts.

1. Grasp cord that exits at bottom of base and pull gently (do not pull cord from cord hole) until slack cords between columns and base disappears.
2. Thread bottom column onto base and turn to tighten.
3. Thread top column onto bottom column and turn to tighten.
4. Thread top assembly onto top column and turn to tighten. Then pull the excess cord through cord hole and set lamp upright on base.
5. Place harp into yoke by squeezing the bottom of harp.
6. Install bulb (not included). See relamping label located at socket area for type and maximum allowed wattage.
7. Unscrew finial from harp and place lampshade over screw thread and tighten finial back in place.

### **IMPORTANT SAFETY INSTRUCTIONS:**

This portable lamp has a polarized plug (one blade is wider than the other) as a safety feature to reduce the risk of electric shock. This plug will fit in a polarized outlet only one way. If the plug does not fit fully in the outlet, reverse the plug. If it still does not fit contact a qualified electrician. Never use with an extension cord unless plug can be fully inserted. Do not attempt to defeat this safety feature.

**FEISS**<sup>®</sup>

EST. 1955