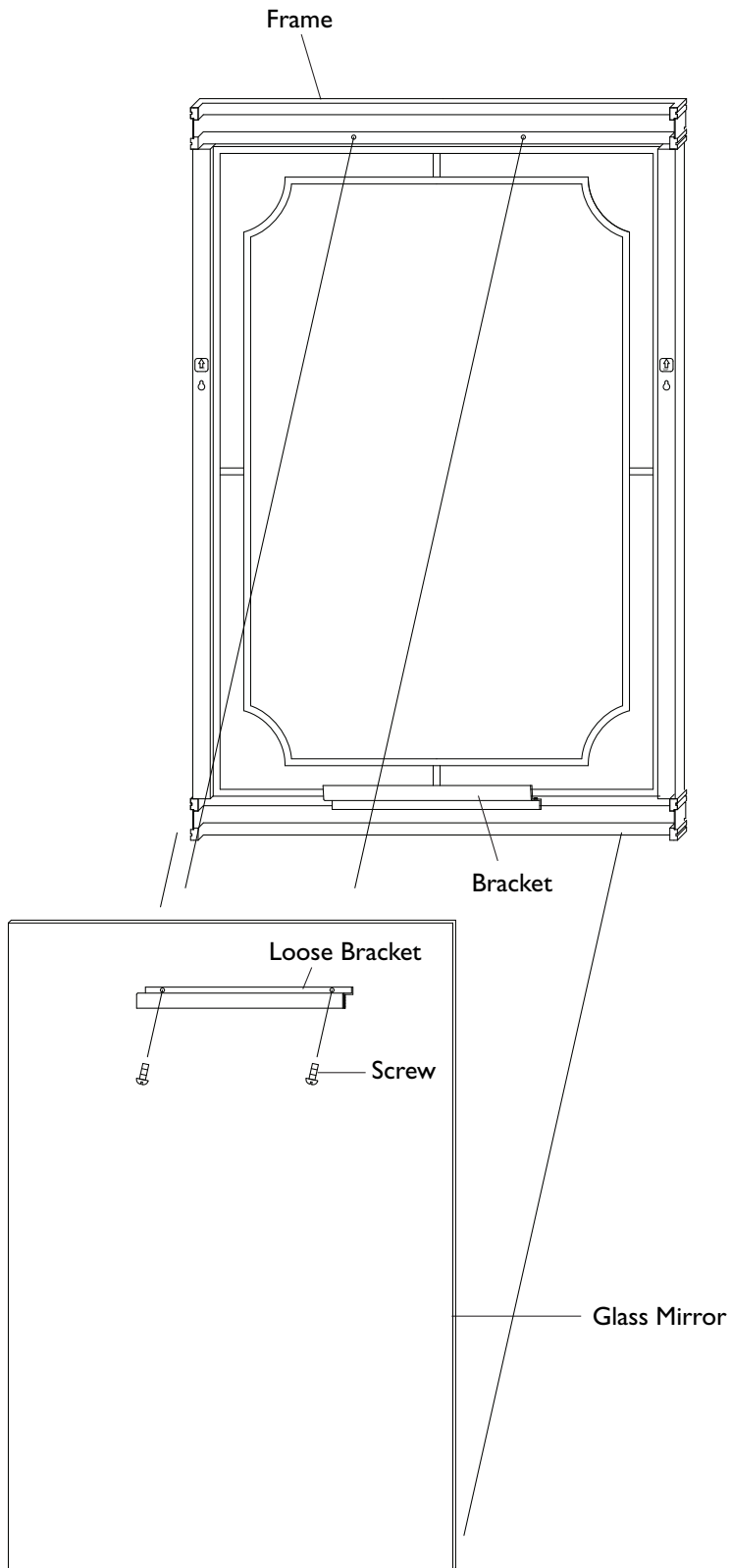


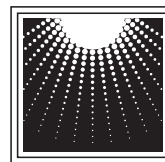
Assembly Instructions For

MR1082 (E) 10/07



Carefully unpack and identify all parts before assembly.

1. A. While one person is holding onto frame, have another person very carefully insert glass mirror onto bracket located at bottom of frame. Note: The reflective side of glass mirror must face away from bracket.
B. Then lock them together by installing loose bracket and fastening with two screws onto top section of frame.
2. At desired wall location, install two screws (not included) into wall at corresponding position with two key holes. Note: Use a level to insure mounting position is horizontal. Make certain the picture hangers or screws are securely fastened onto wall to adequately support the weight of the mirror. If not certain, consult a qualified technician.
3. Carefully hang mirror onto wall.



MURRAY
F E I S S
Generation Brands™