

CHAIN HUNG INSTALLATION:

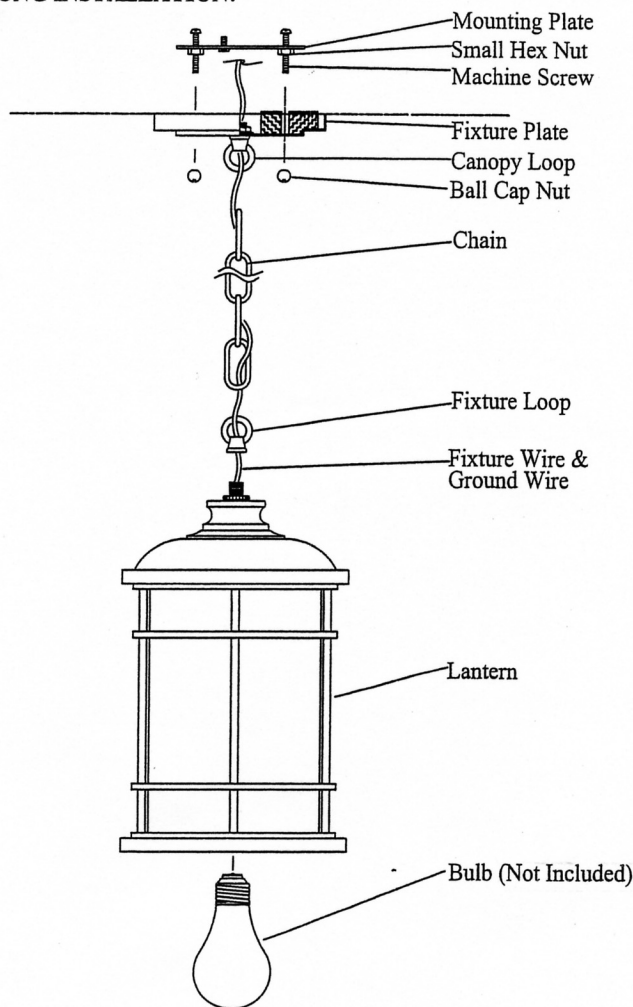


Fig. 1

FLUSH INSTALLATION:

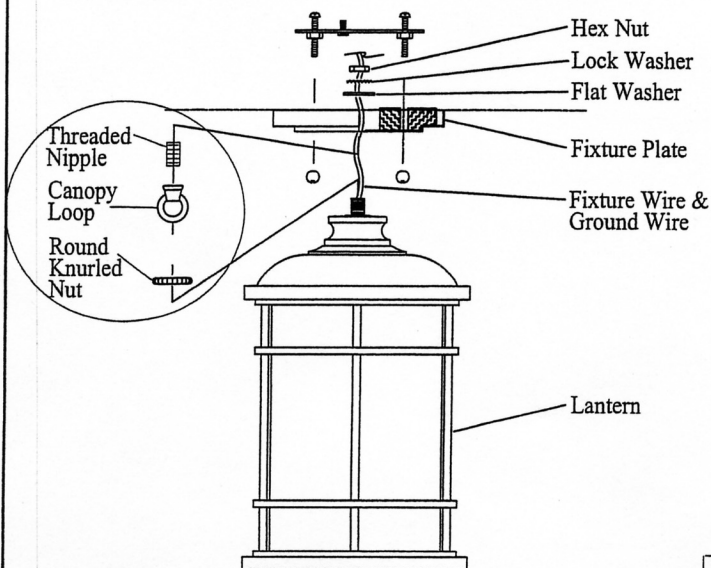


Fig. 2

Pull ends of link to open. We recommend use of chain pliers, which are designed for this purpose. (Not included)



Correct

Twisting ends to open chain may cause links to snap apart.

Do not open chains this way.

Note: Chain length should be determined prior to installation of lighting fixture. It is not recommended to adjust chain height with fixture attached.



Incorrect

Fig. 3

IMPORTANT

TURN OFF THE POWER AT THE MAIN FUSE OR CIRCUIT BREAKER BOX BEFORE STARTING INSTALLATION

Carefully unpack and identify all parts. Bulb not included.

1. Install light bulb (not included). See relamping label at socket area for type and maximum allowed wattage.
2. This fixture can be mounted onto ceiling either as chain hung or flush mount:

CHAIN HUNG INSTALLATION- Fig. 1:

- A. Take fixture wire (with plastic insulation) and ground wire and thread through fixture loop. Then install loop onto threaded pipe located at top of lantern.
- B. Take chain and spread open one end of link. See Fig. 3 for proper procedure. Hook the open link to canopy loop. Then close back link.
- C. At this point, determine the desired length of chain to hang. Remove any unwanted links by following above Fig. 3.
- D. Take bottom open link of chain and hook onto fixture loop. Then close back link.
- E. Take ground wire and weave thru above chain links, then thread through center hole in canopy loop. Repeat with fixture wire.

FLUSH INSTALLATION- Fig. 2:

- A. Remove canopy loop and threaded nipple from fixture plate by loosening hex nut at top. Set aside flat washer, lock washer and hex nut.
 - B. Remove round knurled nut from threaded pipe located at top of lantern.
 - C. Thread fixture wire (with plastic insulation) and ground wire through fixture plate, flat washer, lock washer, and hex nut. While removing any slack of wire in between secure all together by tightening hex nut.
3. Cut excess wires leaving only 6" length of wires above fixture plate. Split fixture wire into two strands. Then strip off 3/4" of outer plastic insulation.
 4. Follow enclosed "Multiple Standard Installation Instructions" for electrical and fixture installation onto ceiling outlet box.