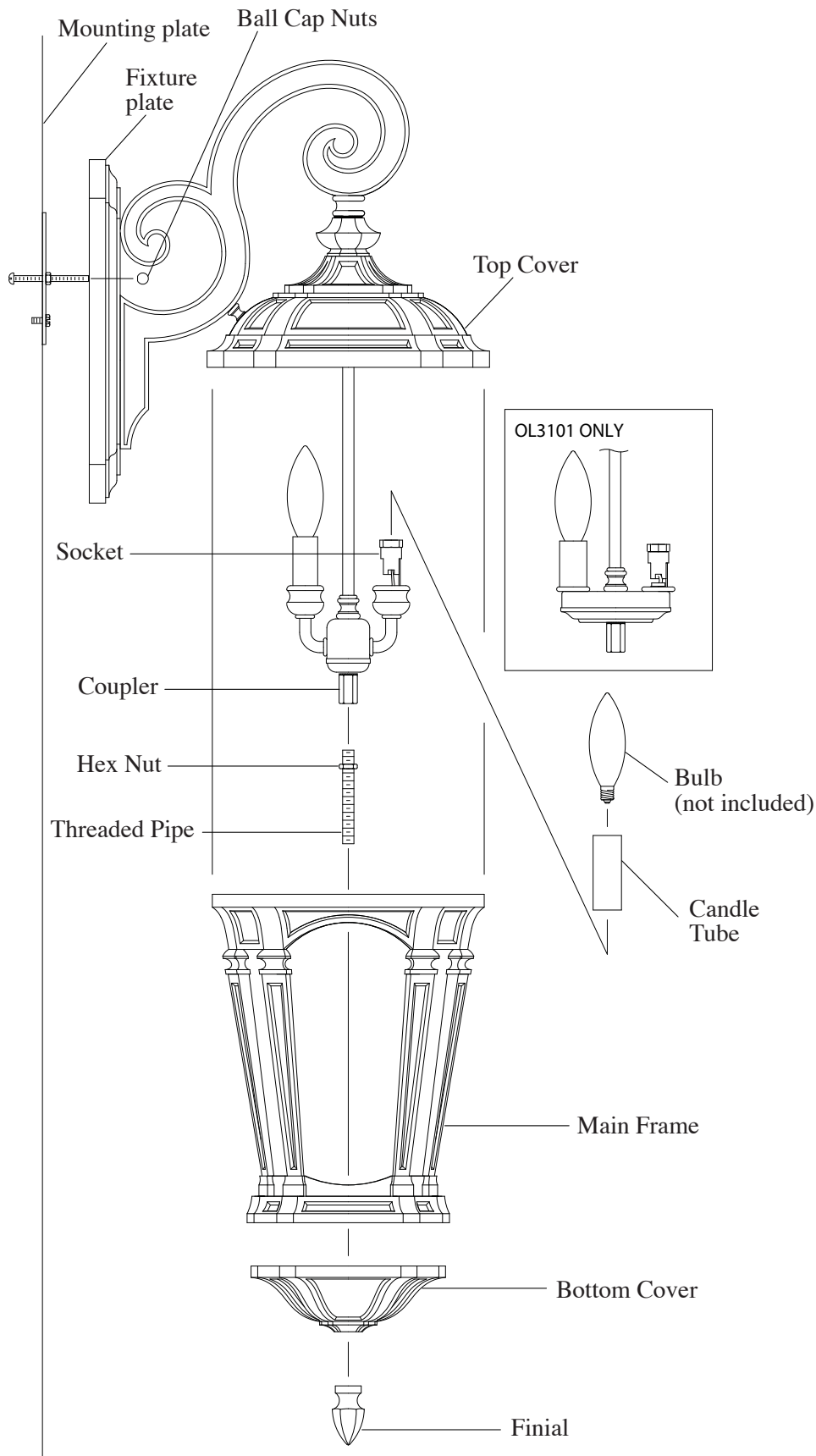


ASSEMBLY INSTRUCTIONS FOR OL3101, OL3102, OL3104 (E) 10/04



**IMPORTANT
TURN OFF THE POWER
AT THE MAIN FUSE
OR CIRCUIT BREAKER
BOX BEFORE
STARTING INSTALLATION**

Carefully unpack and identify all parts. Bulbs not included.

1. Slip candle cover tube onto sockets.
2. Install light bulb (not included). See relamping label at socket area for type and maximum allowed wattage.
3. Install a hex nut onto one end of threaded pipe leaving about 1/2" (13mm) thread exposed. Screw same end of threaded pipe into coupler. Tighten hex nut.
4. Slide main frame up until it checks inside of top cover. Then slide bottom cover through threaded pipe until it checks inside of main frame. Lock them into position with finial.
5. Follow enclosed "**Standard Outdoor mounting Plate Installation Instructions**" for electrical and fixture installation onto wall outlet box.