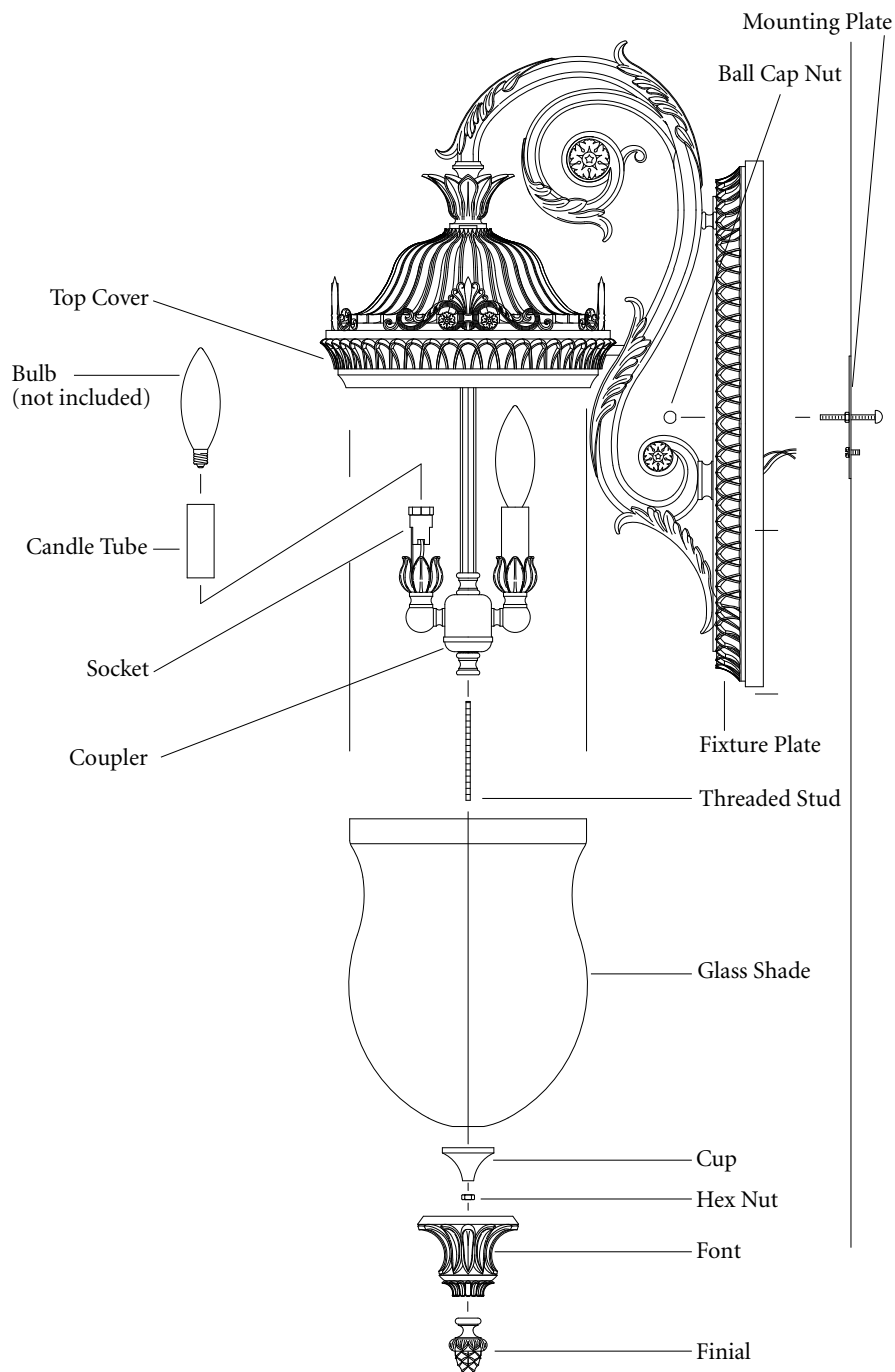


# ASSEMBLY INSTRUCTIONS FOR OL3202, OL3204 (E) 10/04



**IMPORTANT**  
**TURN OFF THE POWER AT THE MAIN**  
**FUSE OR CIRCUIT BREAKER BOX**  
**BEFORE STARTING INSTALLATION**

**Carefully unpack and identify all parts.**  
**Bulbs not included.**

1. Slip candle cover tube onto sockets.
2. Install light bulb (not included).  
See relamping label at socket area for type and maximum allowed wattage.
3. Screw threaded stud into bottom coupler. Then slip glass shade up till it checks inside of top cover. Then slip cone shaped cup through threaded stud and lock into position with hex nut.
4. Slip font through threaded stud and lock into position with finial.
5. Follow enclosed "**Standard Outdoor mounting Plate installation instructions**" for electrical and fixture installation onto wall outlet box.