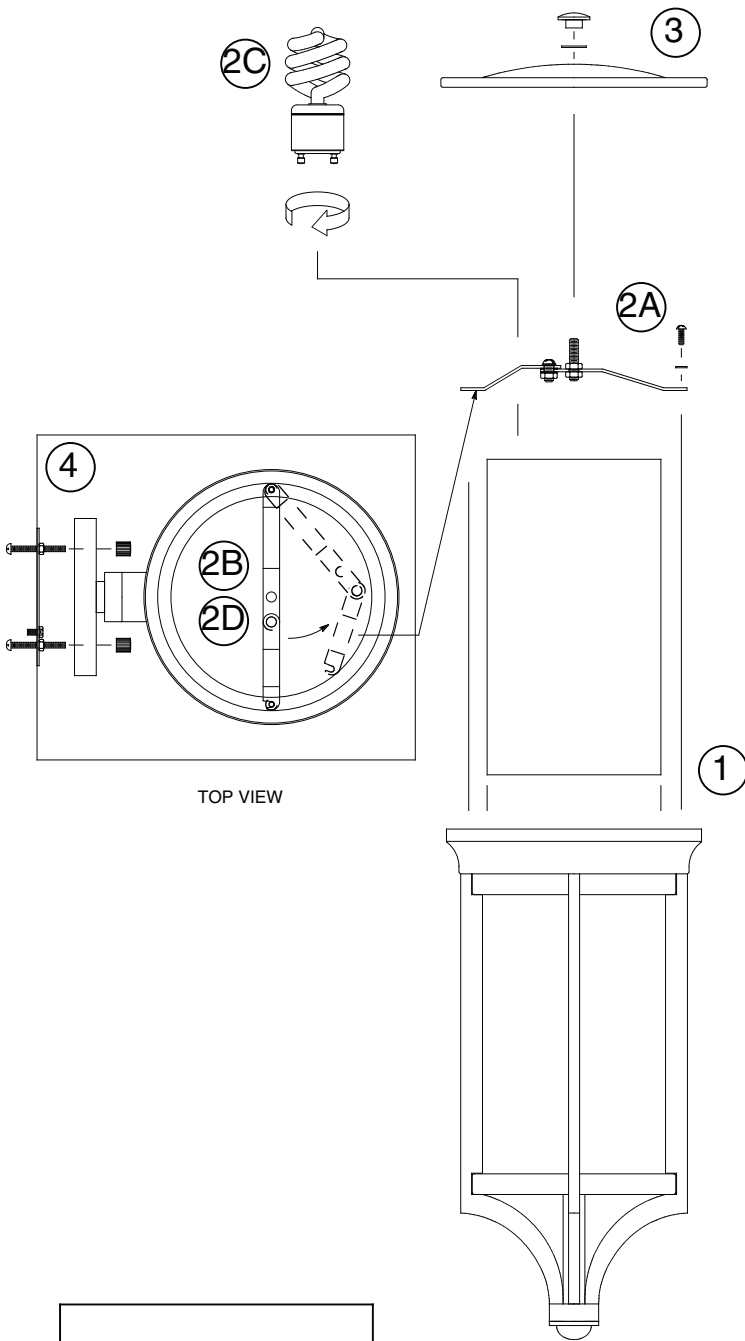


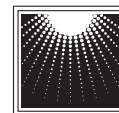
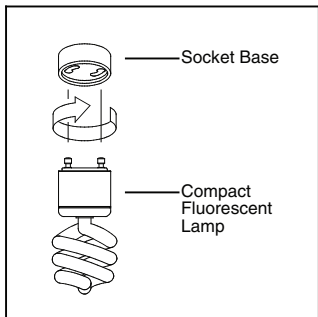
Assembly Instructions For OLPL10201, OLPL10202, OLPL10204 (E) 11/09



IMPORTANT
TURN OFF THE POWER AT THE MAIN FUSE OR
CIRCUIT BREAKER BOX
BEFORE STARTING INSTALLATION

Carefully unpack and identify all parts before assembly.

1. Gently slip shade inside of lantern until it securely sits inside of bottom ring.
2. A. Install bridge onto top of lantern by fastening with lock washer and short machine screw.
B. Swing the bridge aside.
C. Install compact fluorescent lamp by inserting into slots in socket base, and then twist and lock. See illustration.
D. Swing back the bridge until it hooks onto screw.
3. Install cover on top of lantern by fastening with rubber washer and finial.
4. Follow enclosed supplement installation instructions for electrical and fixture installation onto house outlet box. If you do not have an outlet box at desired location to attach the fixture then hire a qualified electrician to create one.



**MURRAY
FEISS**

GENERATION
BRANDS™ 