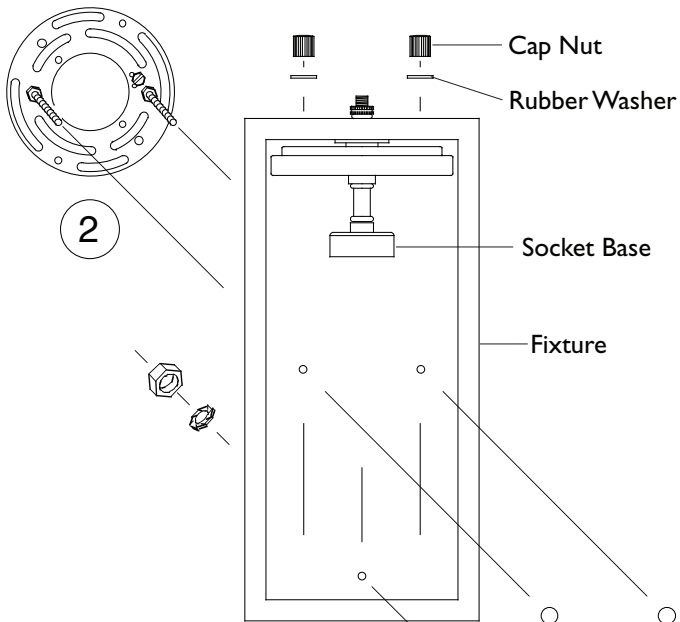


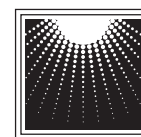
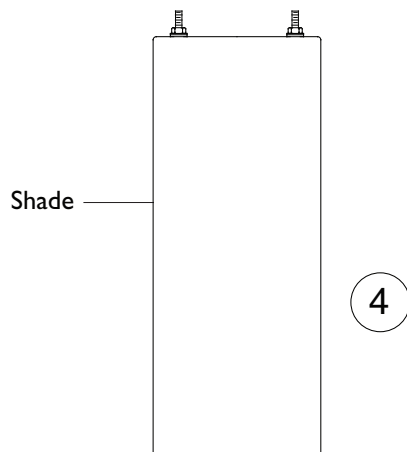
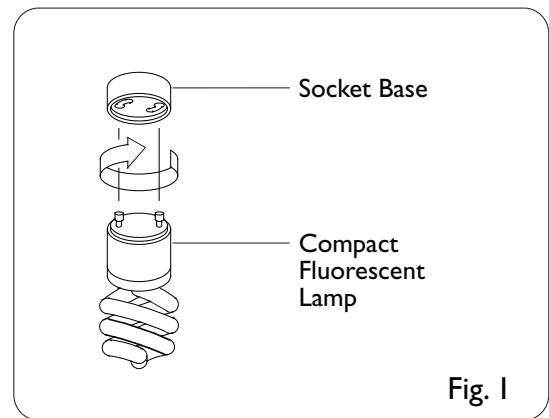
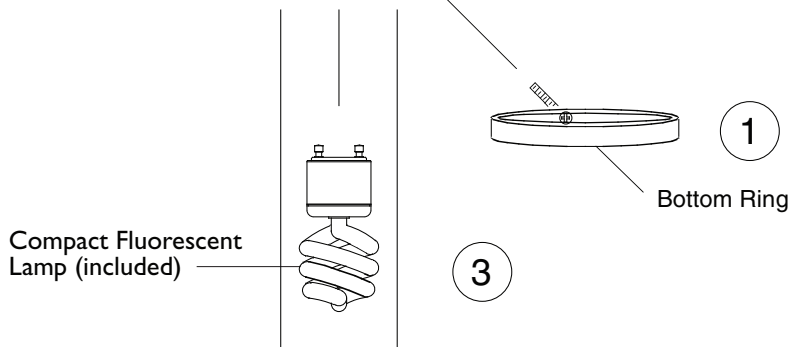
# Assembly Instructions For **OLPL7000, OLPL7001** (E) 12/30/08



**IMPORTANT**  
**TURN OFF THE POWER AT THE MAIN FUSE OR**  
**CIRCUIT BREAKER BOX**  
**BEFORE STARTING INSTALLATION**

Carefully unpack and identify all parts before assembly. Bulbs not included.

1. Install bottom ring onto back plate by fastening as shown on diagram.
2. Follow enclosed supplement installation instructions for electrical and fixture installation onto house outlet box. If you do not have an outlet box at desired location to attach the fixture than hire a qualified electrician to create one.
3. Install compact fluorescent lamp by inserting into slots in socket base, and then twist and lock. See illustration.
4. Slip shade through square bottom opening of fixture. Then secure at top by fastening with rubber washer and cap nuts.



**MURRAY**  
**FEISS**  
Generation Brands™