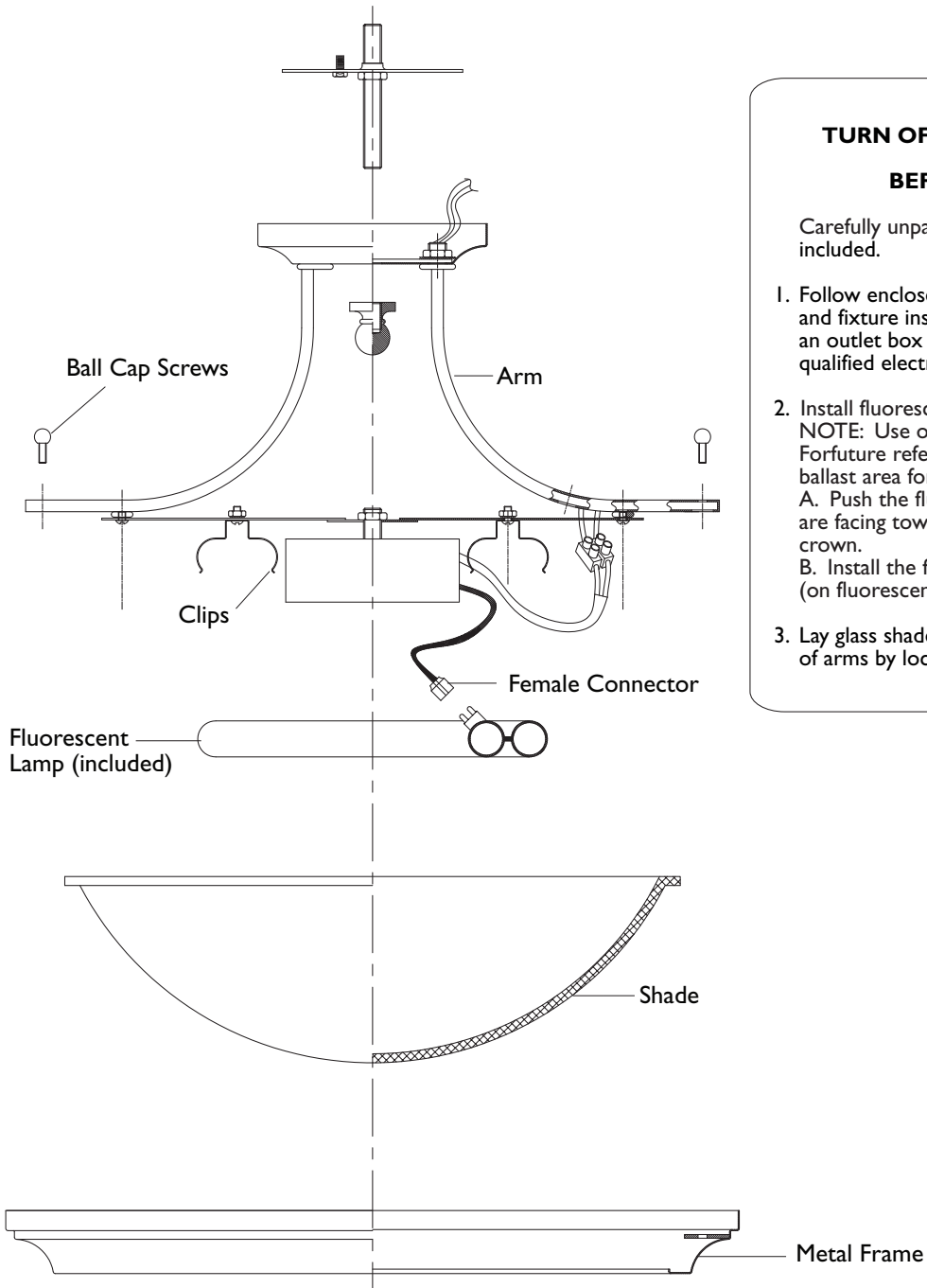


Assembly Instructions For

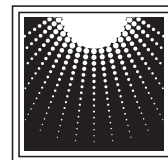
SFES3100 (E) 11/24/08



**IMPORTANT
TURN OFF THE POWER AT THE MAIN FUSE OR
CIRCUIT BREAKER BOX
BEFORE STARTING INSTALLATION**

Carefully unpack and identify all parts before assembly. Bulb not included.

1. Follow enclosed supplement installation instructions for electrical and fixture installation onto house outlet box. If you do not have an outlet box at desired location to attach the fixture than hire a qualified electrician to create one.
2. Install fluorescent lamp (included):
NOTE: Use only G10q base fluorescent lamp (included). For future reference, see relamping label located at electronic ballast area for maximum allowed wattage.
 - A. Push the fluorescent lamp, while making certain it's four pins are facing toward you, firmly into each clips located at bottom of crown.
 - B. Install the female connector (from crown) onto the four pins (on fluorescent lamp).
3. Lay glass shade onto metal frame and fasten frame onto bottom of arms by locking securely with cap screws from top.



**MURRAY
FEISS**

Generation Brands™