

**NLCBC-55 COBALT Series 5" 95CRI Recessed Retrofit Downlight**

Source: 16W Chip on Board 1000lm LED

**PRODUCT DESCRIPTION**

Nora Lighting's 5" LED Cobalt Luminaires are cULus listed for use in existing 5" IC or Non-IC housings manufactured by Nora and others. The units provide 1000 Lumen output, drawing 16W and rendering 95CRI. Nora's 5" Cobalt LEDs intergrate the latest from the Cree® COB family of LED arrays, giving bright spectacular light output and low power consumption. An obvious and smart choice for Green Energy efficient lighting in commercial and residential applications.

**FEATURES**

- 5 year limited warranty
- CREE® COB LED
- Dimmable
- cULus Listed, Energy Star & Title 24 compliant
- 1000lm utilizes only 16W
- Available in 2700K, 3000K and 4000K color temperature, 95 CRI
- GU24 Socket adapter available for use with GU24 base housings- Includes Medium-Base Socket kit

**CONSTRUCTION**

**Trim:** Aluminum spun reflector (NLCBC-551) with deep set diffused lens for excellent visual comfort while providing high lumen output.

Aluminum spun baffle trim (NLCBC-552) with deep set diffused lens and deep grooves to reduce aperture glare while providing high lumen output.

**Lens:** Shatter proof diffused poly carbonate lens.

**RETROFIT**

Cobalt Series Downlights include NRA-211 Medium Base screw-in socket for retrofitting into existing Medium Base downlight housings.

**ELECTRICAL SYSTEM**

**Voltage:** 120VAC

**Current:** 400mA

**Power Consumption:** 16 Watts

**Light Source:** Cree COB

**Lumens:** 1000 lm

**CRI:** 95 CRI

**LED Driver:** Built-in driver

**Operating Temperature:** 0°C to 50°C ambient temperature

**Life Expectancy:** 50,000 hours

**Dimmable**

Nora LED Cobalt Series works with standard leading and trailing edge dimming technologies. Dimming with trailing-edge dimmers (electronic) are 5-100% and for leading-edge dimmers (incandescent) 10-100%. There may be some cases that require more than one lighting fixture to be used to meet minimum dimmer load. Consult with dimmer manufacturer. [Click Here](#) or refer to [www.NoraLighting.com](http://www.NoraLighting.com) for complete updated dimmer list in the "Compatibility" page under the "Resource" tab.

**LABELS & LISTINGS**

cULus Wet Label Listed

Title 24 Compliant

Energy Star Rated

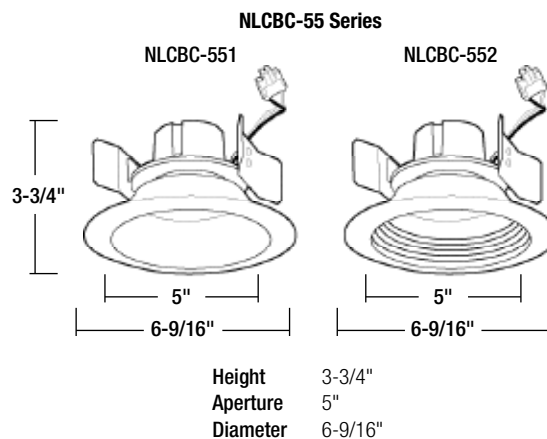


**5" Cobalt 95CRI Recessed Retrofit Downlight**

Catalog No.	Color Temp.	Finish	Option
<b>NLCBC-551</b> = Reflector	<b>27</b> = 2700K	<b>BZ</b> = Bronze	<b>Blank</b> = 120V
<b>NLCBC-552</b> = Baffle	<b>30</b> = 3000K	<b>DW*</b> = Diffused Clear / White	<b>EM</b> = Pre-Wired for EM use with EM housing <sup>3</sup>
	<b>40</b> = 4000K	<b>HZW*</b> = Haze / White	
		<b>WW</b> = White	

\*Finish only available on Reflector Style  
 Compatible with NHIC-5LMRAT/EM housing

**DIMENSIONS**



**NRA-211** Medium Base screw-in socket  
 Included with every Cobalt Series for retrofitting into existing Medium Base Downlight Housings

**FINISHES**

Bronze (BZ) - Bronze Refl. or Baffle with Bronze Flange

Diffused Clear (DW) - Diffused Refl. with White Flange

Haze (HZW) - Haze Refl with White Flange

White (WW) - White Refl. or Baffle with White Flange

**COMPATIBLE DIMMERS**

Manufacturer:	Model Number
Leviton	IPED4
	6161
	IPI06-1LZ
Lightolier	ZP260QEW
Lutron	DVCL153P
	TGCL-153P
	S600P
	CT103P
	MAELV600
	FAELV500

**Compatible Housings**

FireBox	New Construction	Remodel
<b>NFBIC-5LMRAT</b> 5" ICAT Dedicated LED 2-Hour Fire Rated	<b>NHIC-501QAT</b> 5" ICAT Line Voltage	<b>NHRIC-504QA</b> 5" ICAT Line Voltage
	<b>NH-501Q</b> 5" Line Voltage	<b>NHR-504Q</b> 5" Line voltage
	<b>NHIC-5G24ATFL</b> 5" ICAT GU24 (Specify NRA-212 adaptor separately)	<b>NHRIC-5G24ATFL</b> 5" ICAT GU24 (Specify NRA-212 adaptor separately)
	<b>NHIC-5LMRAT</b> 5" ICAT Dedicated LED	<b>NHRIC-5LMRAT</b> 5" ICAT Dedicated LED
	<b>NHIC-5LMRAT/277</b> 5" ICAT Dedicated LED, 277V	<b>NHRIC-527LMRAT</b> 5" IC AT Shallow Remodel Dedicated Housing
	<b>NHIC-527LMRAT</b> 5" IC AT Shallow Dedicated Housing	
	<b>NHIC-5LMRAT/EM</b> 5" IC Air Tight Dedicated Housing Pre-wired for Emergency Cobalt Series - Includes EM battery and remote test switch	
	<b>NHIC-5LMRAT/6WEM</b> 5" IC Air Tight Dedicated Housing Pre-wired for Emergency and 0-10V dimming Cobalt Series - Includes EM battery and remote test switch	