

NYLD-6 Cylinder Series

6" LED Dedicated Integral Driver Module

Source: LED Cobalt Series 750 or 1000 Lumen

PRODUCT DESCRIPTION

6" Cylindrical surface or pendant fixture. Deep set LED optics in a reflector or baffled cone for optimal visual comfort. Uses integral driver and latest technology 90+ CRI chip design. 2-piece cylinder allows for easy installation.

FEATURES

- 12.0W / 16W
- 750L / 1000L
- Latest Cree technology; Integrated driver and ceramic LED package
- High Color Rendition CRI 90+
- 2700K, 3000K, 3500K, 4000K
- Dimmable 5% with ELV and 10% with 2 wire Triac
- cULus Listed for Damp location
- cULus Listed for Wet Location - Wall Mount Only
- 5 Year Limited Warranty

CONSTRUCTION

Cylinder Cap

High quality 0.040" steel cap with universal slots to allow for direct mounting to J-Box for surface mount. Incorporates all thread in the center for the installation of a cable or pendant rod kit for the corresponding mounting method. Three screws on the bottom of cap secure cylinder body to cylinder cap. (Adjustable with flathead screw drive)

Cylinder Body

0.040" steel cylindrical body with three keyhole slots allowing body to be installed to cylinder cap. Spring brackets accept torsion wing trim springs. Four butterfly clips also accommodated for spring-less trims.

Mounting:

Cable mount come with canopy, field cuttable 3 wire cable and cylinder. Rod mount comes with canopy and rod consisting of 3-12" pieces and 2-24" pieces of internally threaded rod and cylinder. Surface mount and wall mount come with hardware to mount directly to J-box.

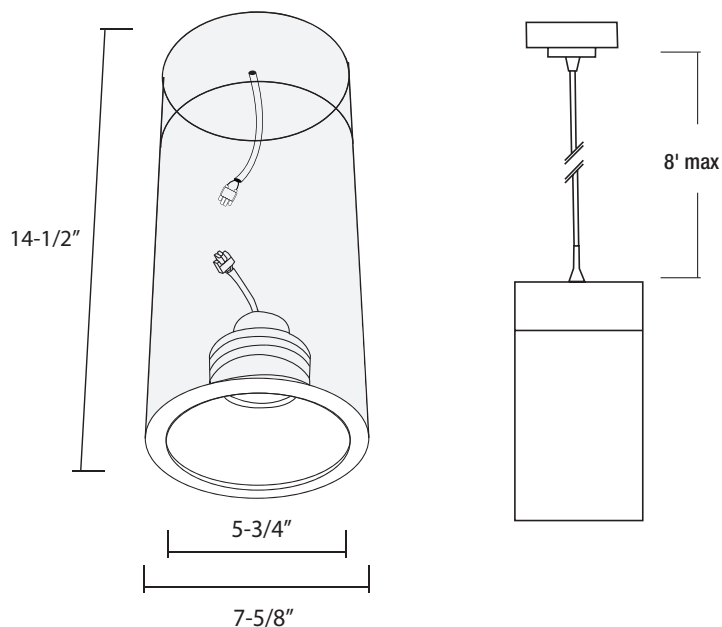
ELECTRICAL

Voltage:	120VAC
Current:	100mA / 130mA
Power Consumption:	12.0 Watts / 16 Watts
Light Source:	Cree Integrated Platform
Lumens:	750 lm / 1000 lm
CRI:	92 CRI
LED Driver:	Built-in driver
Operating Temperature:	0°C to 75°C ambient temperature
Life Expectancy:	50,000 hours

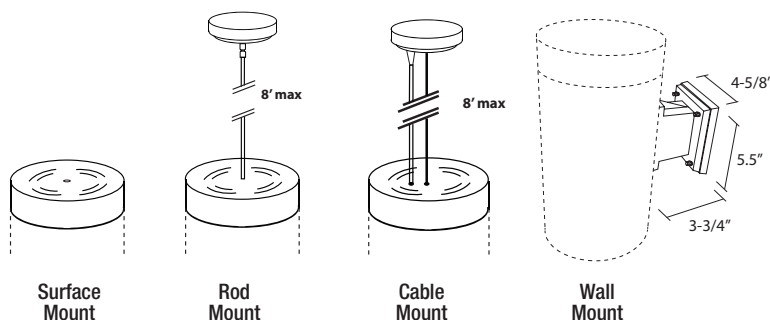
Labels and Listings

cULus Listed for Damp location
 cULus Listed for Wet Location - Wall Mount Only

DIMENSIONS



MOUNTING OPTIONS





ILLUMINATING THE FUTURE...SINCE 1989

Type _____

Project _____

Catalog No. _____

Lamp/Wattage _____

NYLD-6 Cylinder Series**6" LED Dedicated Integral Driver Module**

Source: LED Cobalt Series 750 or 1000 Lumen

FAMILY	SIZE	MOUNTING	LAMP SOURCE	TYPE OF TRIM	COLOR TEMP	REFLECTOR FINISH	CYLINDER COLOR	DIM OPTION	CABLE
NYLD	6	C = Cable	2 = 750lm	1 = Reflector	27=2700K	WW = White /White Flange	B = Black	BLANK = 120V TRIAC 2 = 277V NON-DIM 4 = 120V TRIAC OR 1-10V / 277V 0-10V	AC = For Cable Mount only. Denotes new Aircraft cable and 5-wire cord.
		P = Pendant Rod**			30=3000K	DW = Diffused Clear / Wht Flange	W = White		
		S = Surface			35=3500K	BB= Black / Black Flange			
		W = Wall			40=4000K	BW = Black Baffle / White Flange			
						BZ = Bronze / Bronze Flange			
						HZW = Haze / White Flange			
						NN = Natural Metal			
						CO = Copper / Copper			
FAMILY	SIZE	MOUNTING	LAMP SOURCE	TYPE OF TRIM	COLOR TEMP	REFLECTOR FINISH	CYLINDER COLOR	DIM OPTION	CABLE
NYLD	6	C = Cable	2 = 750lm	2 = Baffle	27=2700K	BB= Black / Black Flange	B = Black	BLANK = 120V TRIAC 2 = 277V NON-DIM 4 = 120V TRIAC OR 1-10V / 277V 0-10V	AC = For Cable Mount only. Denotes new Aircraft cable and 5-wire cord.
		P = Pendant Rod**			30=3000K	BW = Black Baffle / White Flange	W = White		
		S = Surface			35=3500K	BZ = Bronze / Bronze Flange			
		W = Wall			40=4000K	WW = White /White Flange			
						NN = Natural Metal			

FAMILY	SIZE	MOUNTING	LAMP SOURCE	TYPE OF TRIM	COLOR TEMP	REFLECTOR FINISH	CYLINDER COLOR	DIM OPTION	CABLE
NYLD	6	C = Cable	9 = 1000lm	1 = Reflector	27=2700K	WW = White /White Flange	B = Black	BLANK = 120V TRIAC 4 = 120V TRIAC OR 1-10V / 277V 0-10V (LE4 Options: Ref. 30K = WW, DW, DD 35K = WW, DD)	AC = For Cable Mount only. Denotes new Aircraft cable and 5-wire cord.
		P = Pendant Rod**			30=3000K	DW = Diffused Clear / Wht Flange	W = White		
		S = Surface			40=4000K	DB = Diffused Clear / Black Flange			
		W = Wall				HZW = Haze / White Flange			
						BZBZ = Bronze / Bronze Flange			
						MPW = Matte Powder White			
						DD = Diffused / Diffused (Only 1000LM LE4) (30K - 35K)			

FAMILY	SIZE	MOUNTING	LAMP SOURCE	TYPE OF TRIM	COLOR TEMP	REFLECTOR FINISH	CYLINDER COLOR	DIM OPTION	CABLE
NYLD	6	C = Cable	9 = 1000lm	2 = Baffle	27=2700K	WW = White /White Flange	B = Black	BLANK = 120V TRIAC	AC = For Cable Mount only. Denotes new Aircraft cable and 5-wire cord.
		P = Pendant Rod**			30=3000K	BZBZ = Bronze / Bronze Flange	W = White		
		S = Surface			40=4000K				
		W = Wall							

**0-10V dimming requires an offset nylon sleeve with 2 wires (gray & purple) that runs parallel to cable. Only Available on surface, cable and wall mount.

Example : NYLD-6C9140DWW4AC - 6" Aircraft Cable and Cord Cylinder - White with Diffused Clear Reflector, 1000L, 40K, 120V Triac or 0-10V/ 277V 0-10V Dimming

6505 Gayhart St., Commerce, CA 90040 | Phone: 800.686.6672 | FAX: 800.500.9955 www.noralighting.com | e-mail: nora@noralighting.com
Specifications subject to change without notice. © 2016