

# NYLI-6 Cylinder Series

## 6" Medium Based

Source: Incandescent 300W max R/BR/PAR lamp  
or LED R/BR/PAR Listed Lamp

### PRODUCT DESCRIPTION

6" Cylindrical surface or pendant fixture. Deep set medium base socket attaches to deep reflector or baffled cone for optimal visual comfort. 2-piece cylinder allows for easy installation. Use with Incandescent BR/PAR lamps or with energy efficient long life LED BR/R/PAR lamps.

### FEATURES

- 300W Max
- Can be factory labeled with reduced wattage max.
- cULus listed for damp location.
- cULus listed for Wet Location - Wall Mount Only
- Quick connect socket assembly included. Optional GU24 socket assembly available.
- 5-year limited warranty

### CONSTRUCTION

#### Cylinder Cap

High quality 0.040" steel cap with universal slots to allow for direct mounting to J-Box for surface mount. Incorporates all thread in the center for the installation of a cable or pendant rod kit for the corresponding mounting method. Three screws on the bottom of cap secure cylinder body to cylinder cap. (Adjustable with flathead screw drive)

#### Cylinder Body

0.040" steel cylindrical body with three keyhole slots allowing body to be installed to cylinder cap. Spring brackets accept torsion wing trim springs. Four butterfly clips also accommodated for spring-less trims.

#### Mounting:

Cable mount come with canopy, field cuttable 3 wire cable and cylinder. Rod mount comes with canopy and rod consisting of 3-12" pieces and 2-24" pieces of internally threaded rod and cylinder. Surface mount and wall mount come with hardware to mount directly to J-box.

#### Lamp

cULus Listed for up to 300 watt max. R/BR/PAR style lamp. For PAR30 use long neck version.

#### Labels and Listings

cULus Listed for Damp Location w/ Feed Through  
cULus listed for Wet Location - Wall Mount Only

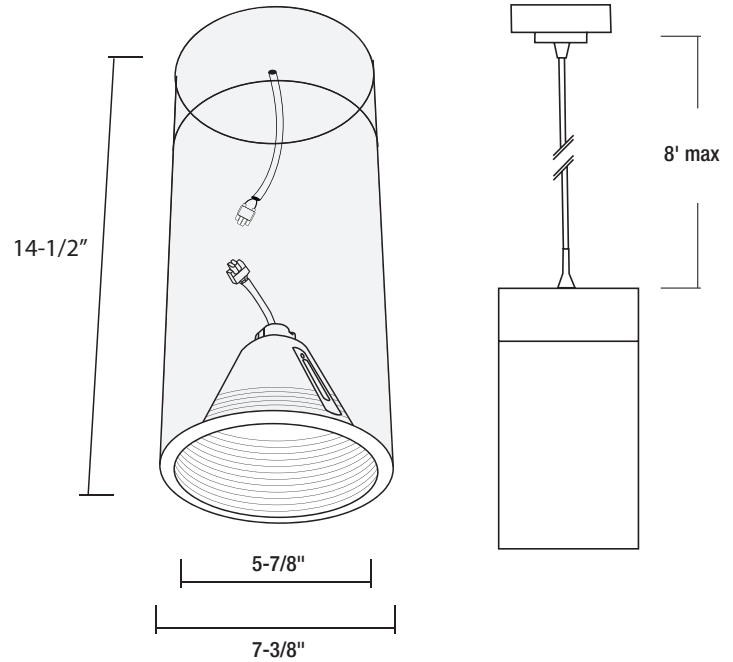


#### Socket assembly:

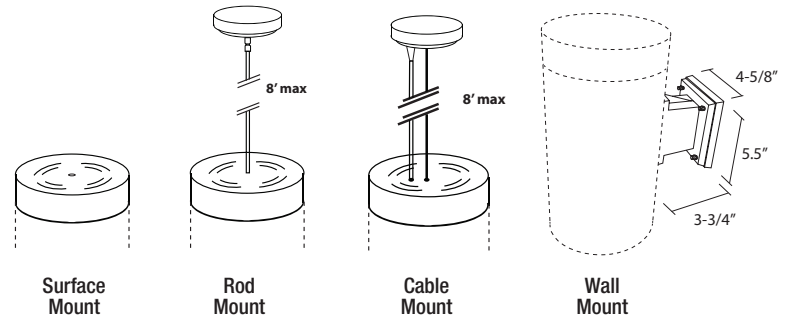
Medium base floating socket attaches to trim.



### DIMENSIONS



### MOUNTING OPTIONS



FAMILY	SIZE	MOUNTING	LAMP SOURCE	TYPE OF TRIM	REFLECTOR FINISH	CYLINDER COLOR	CABLE
NYLI	6	<b>C</b> = Cable <b>P</b> = Pendant Rod <b>S</b> = Surface <b>W</b> = Wall	<b>I</b> = Incandescent (Max 300W Par Lamp) <b>L</b> = LED Specific - Specify Wattage Max	<b>1</b> = Reflector <b>2</b> = Baffle	<b>WW</b> = White Refl or Baffle / White flange <b>BB</b> = Black Refl / Black Flange	<b>B</b> = Black <b>W</b> = White	<b>AC</b> = For Cable Mount only. Denotes new Aircraft cable and 5-wire cord.