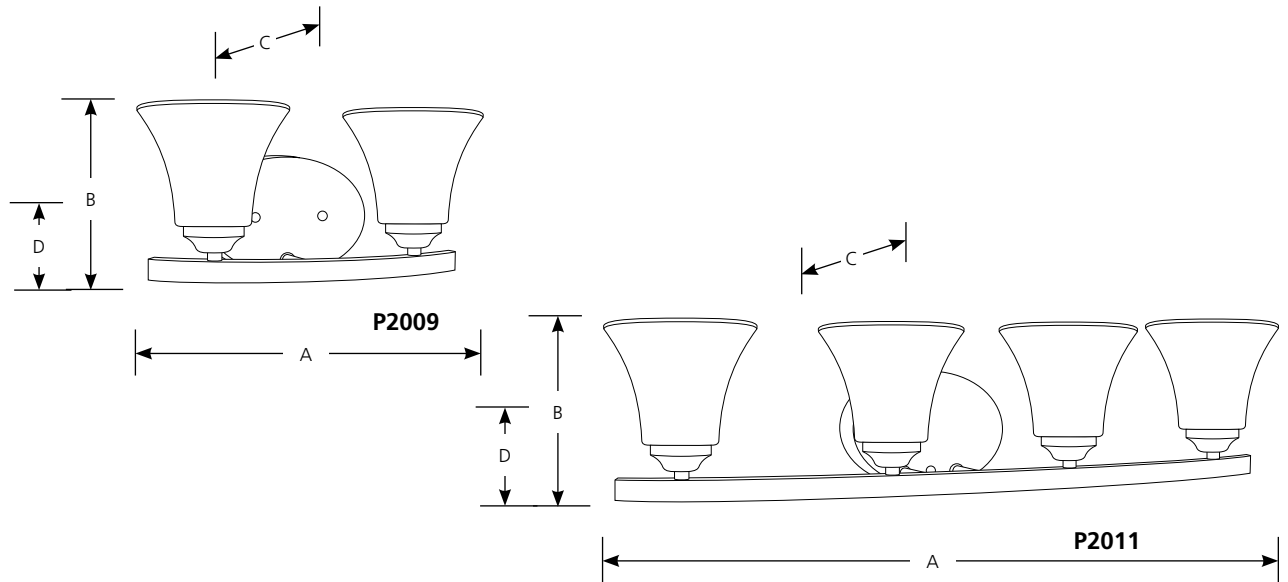


Catalog No.	Finish			Lamping	Dimensions (Inches)			
	Brushed Nickel	Polished Chrome	Antique Bronze		A	B	C	D
P2008	-09	-15	-20	1 (m) 100w	5-1/4	6-3/4	7	3-3/8
P2009	-09	-15	-20	2 (m) 100w	13-1/4	6-5/8	6-1/4	4-3/8
P2010	-09	-15	-20	3 (m) 100w	21-1/2	6-5/8	7-1/2	4-3/8
P2011	-09	-15	-20	4 (m) 100w	28-1/4	6-5/8	7-1/2	4-3/8



Specifications:

General

- Etched glass (-09, -15) or Etched light amber glass (-20) fluted shade: 5-1/4" dia.
- Mounts in "up" or "down" position
- Steel construction
- Plated Brushed Nickel (-09), Polished Chrome (-15) finishes
- Hand painted Antique Bronze (-20) finish
- Created to easily coordinate with the Janos, Joy and Bravo families.

Mounting

- Wall mount
- Back plate covers a standard 4" hexagonal recessed outlet box

P2008 4-5/8" W., 6-3/4" ht., 1" depth (vertical oval)

P2009 6-3/4" W., 4-5/8" ht., 1" depth (horizontal oval)

P2010 6-3/4" W., 4-5/8" ht., 1" depth (horizontal oval)

P2011 6-3/4" W., 4-5/8" ht., 1" depth (horizontal oval)

- Mounting strap for outlet box included
- Threaded socket ring secures glass

Electrical

- Medium base ceramic sockets
- Pre-wired

Labeling

- UL-CUL Damp location listed