

Please go to www. quozel. com for product cleaning tips. Go to the **Care + Maintenance** selection.

Tools Required: Flathead screwdriver, Phillips screwdriver, pliers, wire cutters, wire strippers, electrical tape, safety glasses.

Light Source: (1) A19 Medium Base Bulb 75W Maximum.

Estimated Assembly Time: 30-45 minutes

Preparation: Identify and inspect all parts before beginning installation. Check package content list and diagrams below to be sure all parts are present. If any parts are missing or damaged, do not attempt to assemble, install, or operate the fixture. Contact customer service for replacement parts.

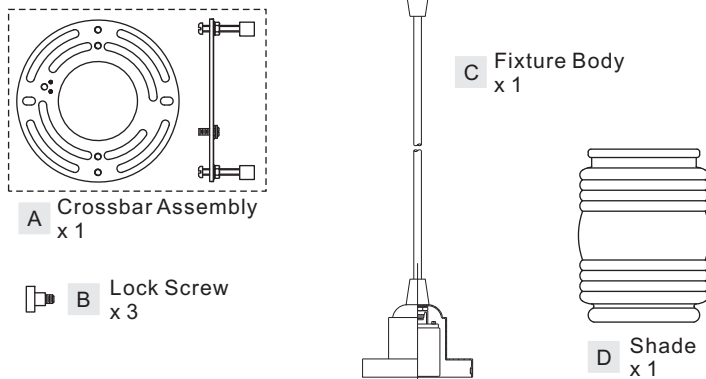
⚠ Warnings and Cautions

Turn off electricity at circuit breaker or main fuse box before installation. Consult a licensed electrician if in doubt.

These instructions are provided for your safety. It is very important you read them completely before installing the fixture. We strongly recommend that a licensed, professional electrician perform the installation.

Disconnect fixture from power source before replacing bulbs. Make sure bulbs are given sufficient time to cool before removal.

Package Contents



STEP 3 – Test Fitting Ceiling Canopy to Crossbar Assembly

A. Remove mounting balls from the Crossbar Assembly (A). Fit the ceiling canopy and Fixture Body (C) to the Crossbar Assembly (A) and secure with mounting balls. Note: The ceiling canopy should be snug against the ceiling and the mounting balls. If not, adjust the length of the nipple on the Crossbar Assembly (A) by unscrewing the preassembled hex nut and lock washer and then screwing the mounting screws in or out of the crossbar until the correct length is achieved. Once the ceiling canopy and Fixture Body (C) is secure, remove the mounting ball and ceiling canopy and Fixture Body (C) and proceed to Step 4.

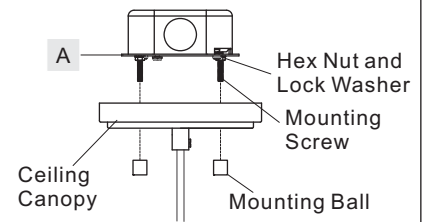


Figure 3

STEP 1 - Adjust Fixture Height

A. Unscrew the set screw on the coupling underside of the ceiling canopy, move the cord in or out of the ceiling canopy according to your desired fixture hanging height. Once your desired hanging height is achieved, tighten the set screw on the coupling until snug to engage the cord.

B. Move the wire clasp to the hex nut in the center of the ceiling canopy.

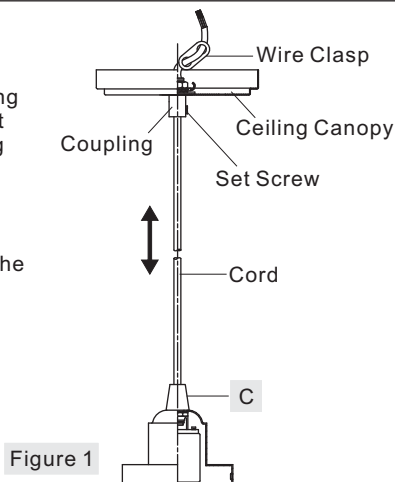


Figure 1

STEP 4 – Make Wire Connections

A. Use standard wire connectors (not included) to make all wire connections. Twist connectors until wires are tightly joined together. Wrap each connection with approved electrical tape and carefully stuff all the connected wires into the Outlet Box.

B. If the electrical wire is going to be cut shorter than provided, strip back the clear wire covering the 3 fixture wires as far as you need to. This will expose each fixture wire individually. Strip each end of 3 fixture wires.

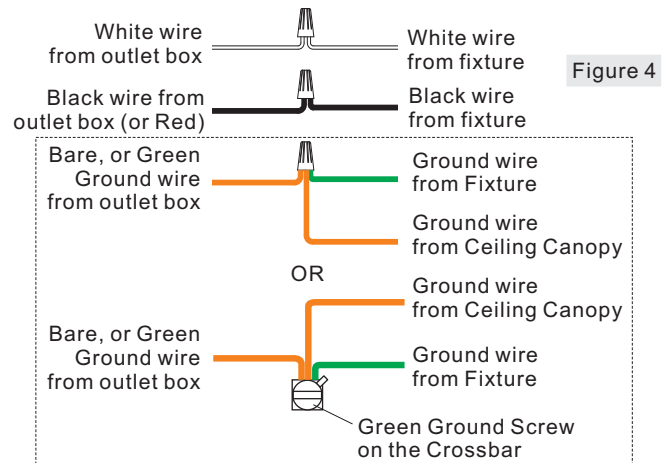


Figure 4

STEP 2 – Installing the Crossbar Assembly

A. Pass the supply wires through the Crossbar Assembly (A). Attach the Crossbar Assembly (A) to the Outlet Box with the head of the Green Ground Screw facing you. Secure the Crossbar Assembly (A) with Outlet Box Screws (not included). Tighten until snug.

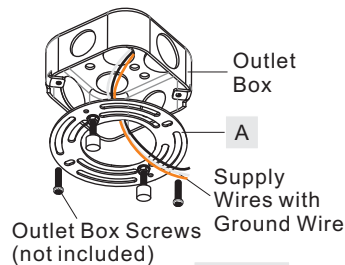


Figure 2

Thank you for purchasing a Quoizel product.
Need assistance with parts or assembly? Call Quoizel customer service at 1-800-645-3184
or visit us on-line at www. quozel. com

STEP 5 - Install the Fixture

A. Carefully tuck all wires into the outlet box and position the ceiling canopy and fixture over the outlet box. Align the holes in the ceiling canopy with the mounting screws, then attach the ceiling canopy and fixture using the previously removed mounting balls. Hand tighten until snug.

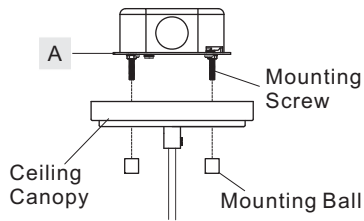


Figure 5

STEP 6 - Install Bulbs and Shades

A. Insert bulbs into socket and screw snugly into place.
B. Place the Shade (D) onto the shade holder. With one hand holding the Shade (D), thread Lock Screws (B) into the shade holder until they attach to the neck of the Shade (D). Carefully release your hand after all Lock Screws (B) are threaded into place.

Your fixture is now assembled and ready to use. Enjoy!

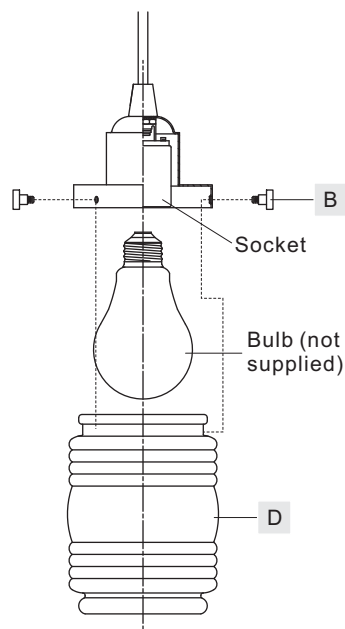
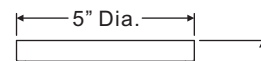
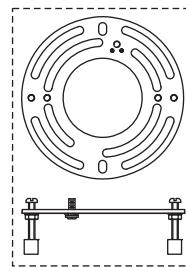


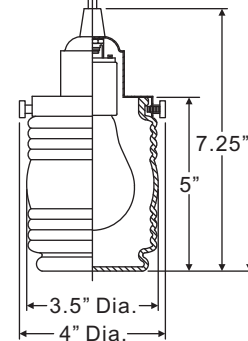
Figure 6

BNT1504WT

FINISH: WESTERN BRONZE



104.75" OVERALL HEIGHT INCLUDE 96" CORD LENGTH



NOTE: ALL DIMENSIONS ARE ROUNDED UP TO THE NEAREST 1/4"

Thank you for purchasing a Quoizel product.
Need assistance with parts or assembly? Call Quoizel customer service at 1-800-645-3184
or visit us on-line at www.quoizel.com