

# Assembly Instruction Sheet #IS-BRN8408IB

## For Style BRN8408IB

Quozel, Inc.  
 6 Corporate Parkway  
 Goose Creek, SC  
 29445

Customer Service  
 Phone 631.273.2700  
 Fax 631.231.7102  
 www. quozel. com

**Tools Required:** Flathead screwdriver, Phillips screwdriver, pliers, wire cutters, wire strippers, electrical tape, safety glasses.

**Bulb Recommended:** (1) Edson Bulb 60W Maximum

**Estimated Assembly Time:** 20-30 minutes

**Preparation:** Identify and inspect all parts before beginning installation. Check package content list and diagrams below to be sure all parts are present. If any parts are missing or damaged, do not attempt to assemble, install, or operate the fixture. Contact customer service for replacement parts.

### Warnings and Cautions

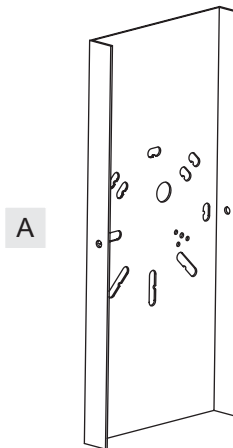
Turn off electricity at circuit breaker or main fuse box before installation. Consult a licensed electrician if in doubt.

These instructions are provided for your safety. It is very important you read them completely before installing the fixture. We strongly recommend that a licensed, professional electrician perform the installation.

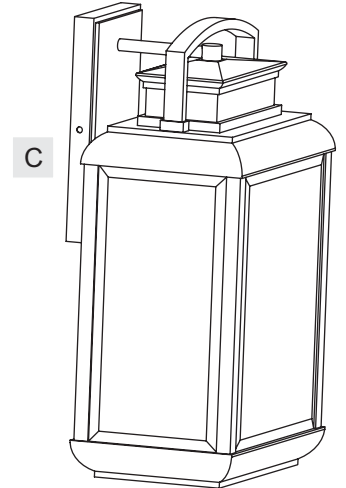
Disconnect fixture from power source before replacing bulbs. Make sure bulbs are given sufficient time to cool before removal. Do not subject glass parts to any shock while in operation or shattering may result.

## Package Contents

Part	Description	Quantity
A	Inner Backplate	1 pc.
B	Mounting Screw	2 pcs.
C	Fixture Body	1 pc.
D	Edson Bulb	1 pc.



A



C

B



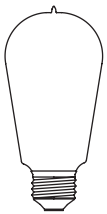
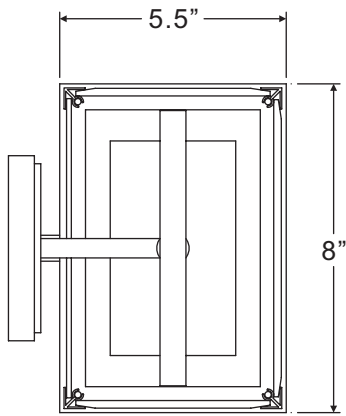
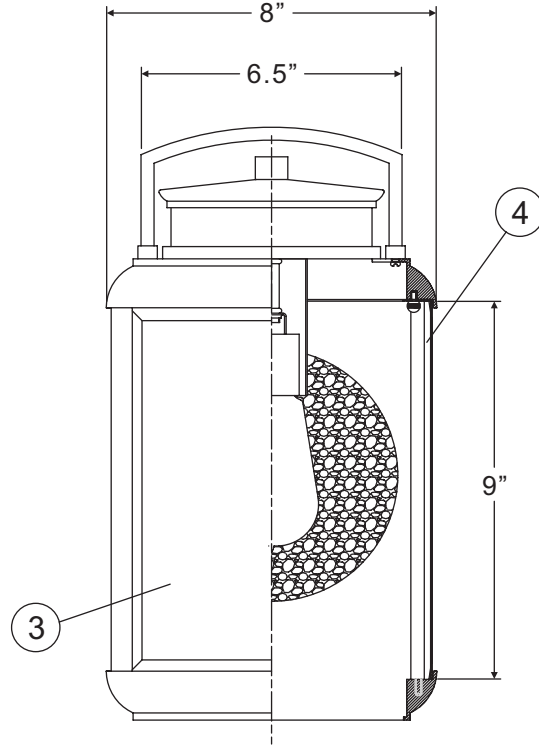
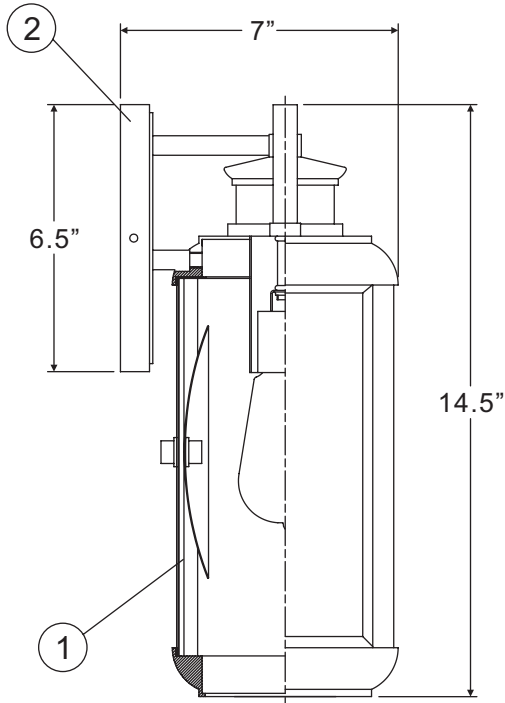
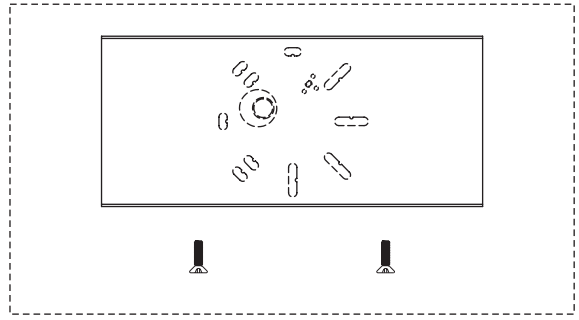
D



**Thank you for purchasing a Quozel product.**  
**Need assistance with parts or assembly? Call Quozel customer service at 1-631-273-2700**  
**or visit us on-line at [www. quozel. com](http://www. quozel. com)**

BRN8408IB

FINISH: IMPERIAL BRONZE



(1)60W Edson Bulb  
(Supplied)

NOTE: ALL DIMENSIONS ARE ROUNDED UP TO THE NEAREST 1/2"

NO.	PART NUMBER	REPLACEMENT PART DESCRIPTION	REQ.
1	G3405PA	BACK CLEAR BEVELED GLASS PANEL	1
2	18408IBBRN	BASE IMPERIAL BRONZE	1
3	G3403PA	FRONT CLEAR BEVELED GLASS PANEL	1
4	G3404PA	SIDE CLEAR BEVELED GLASS PANEL	2

**STEP 1 – Attach Inner Backplate to Outlet Box**

- A. Attach the Inner Backplate (A) to Outlet Box and secure by threading Outlet Box Screws (not supplied) into the Mounting Holes on the Outlet Box. Tighten until snug.

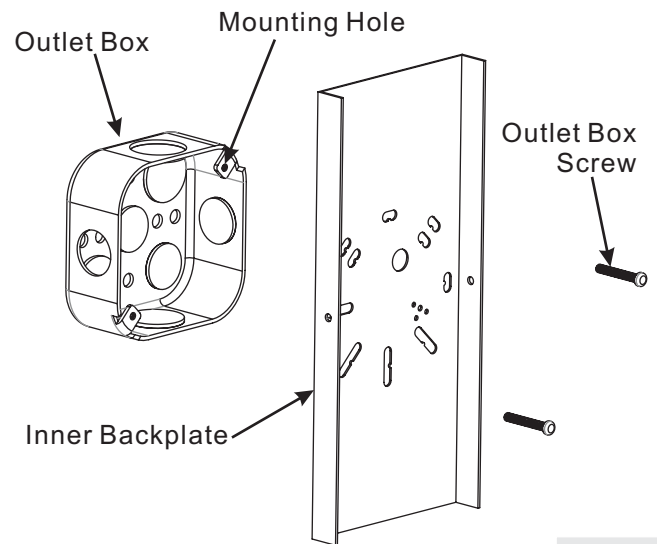


Figure 1

**STEP 2 – Make Wire Connections**

- A. Use standard wire connectors to make all wire connections. (Connectors are not included with fixture.) Strip and prepare wire ends according to instructions supplied with connectors.  
 B. Connect White Supply Wire from the Outlet Box to White Wire from fixture.  
 C. Connect Black (or Red) Supply Wire from the Outlet Box to Black Wire from fixture.  
 D. Connect Ground Wire from the Outlet Box to Ground Wire from fixture.  
 E. Twist connectors until wires are tightly joined together.  
 F. Wrap each connection with approved electrical tape and carefully stuff all the connected wires into the Outlet Box.

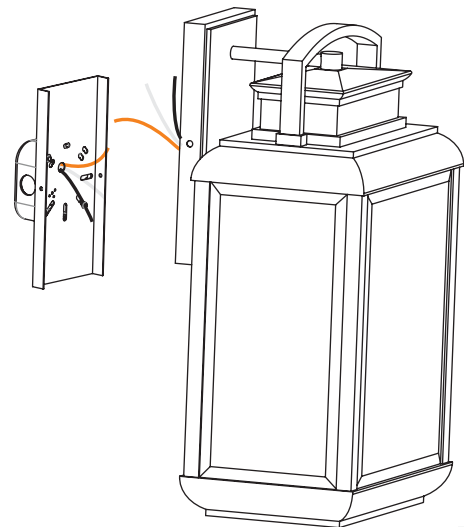


Figure 2

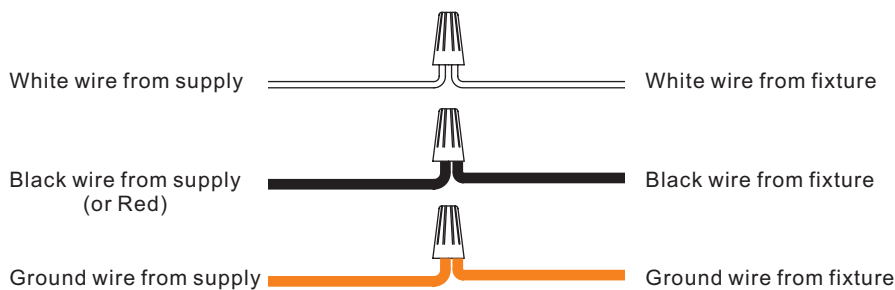


Figure 3

**Thank you for purchasing a Quoizel product.**  
**Need assistance with parts or assembly? Call Quoizel customer service at 1-631-273-2700**  
**or visit us on-line at [www. quozel. com](http://www. quozel. com)**

**STEP 3 – Attach Fixture Body to Inner Backplate**

- A. Place the backplate of the Fixture Body (C) onto the Inner Backplate (A). Line up holes on both of them. Thread Mounting Screws (B) into the mounting holes on the Inner Backplate (A) and hand tighten until snug to secure them.

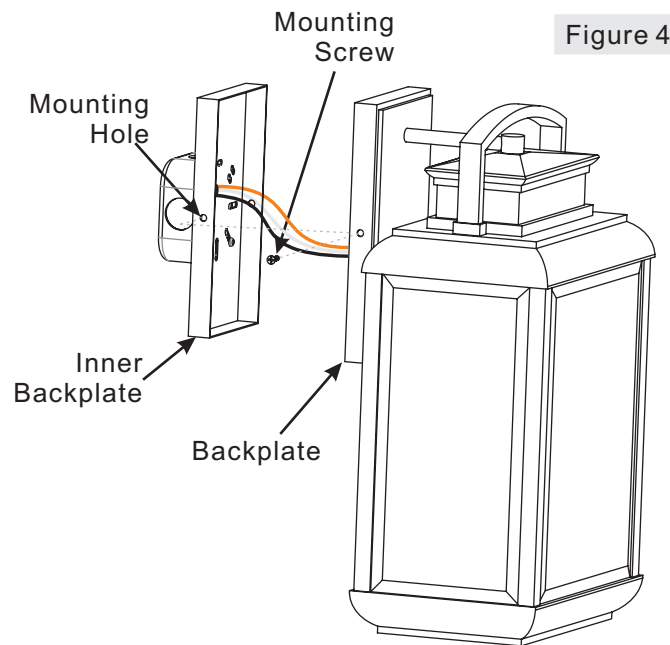


Figure 4

**STEP 4 – Install Bulb**

- A. This fixture uses Edson bulbs with a standard screw base. Maximum 60 watts.  
B. Insert bulb and screw snugly into place.

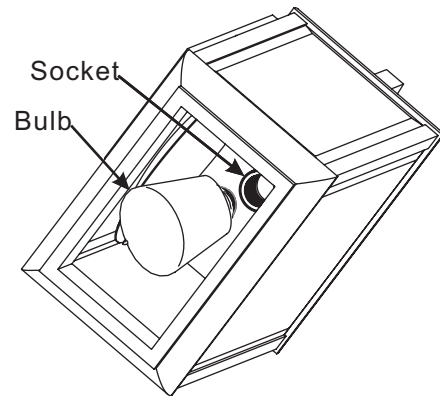


Figure 5

**Thank you for purchasing a Quozel product.**

**Need assistance with parts or assembly? Call Quozel customer service at 1-631-273-2700  
or visit us on-line at www. quozel. com**

### STEP 5 – Apply Silicone Sealer to Mounting Screws

- A. To prevent moisture from entering the wire compartment, apply a small amount of silicone sealer (not included) to the threaded side of the mounting Screws (B) and then install them onto the mounting Hole on the side of inner Backplate (A). Wipe off excess caulk.

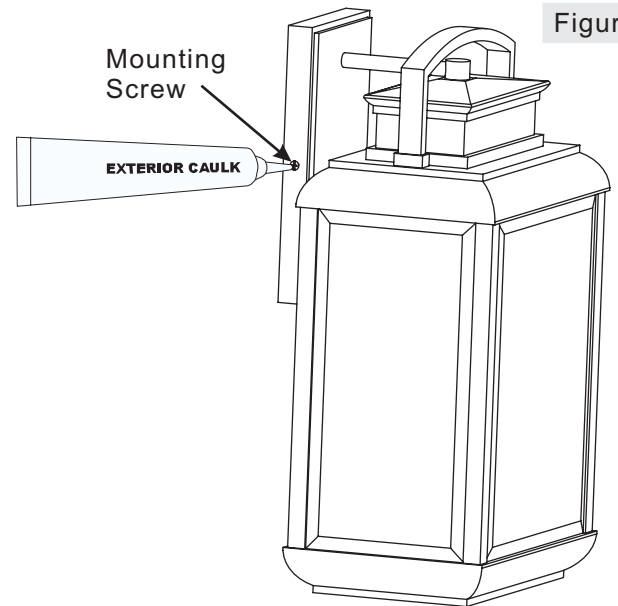


Figure 6

### STEP 6 – Apply Silicone Sealer to Backplate

- A. Make sure exterior wall surface and fixture backplate are free of dirt before applying caulk. Using exterior grade caulk, start on one side of fixture backplate and follow contour, where the fixture backplate meets the exterior wall surface upward. Proceed to caulk over top of backplate and down other side. Do not caulk bottom of fixture backplate to ensure proper moisture drainage.

Your fixture is now assembled and ready to use.  
Enjoy!

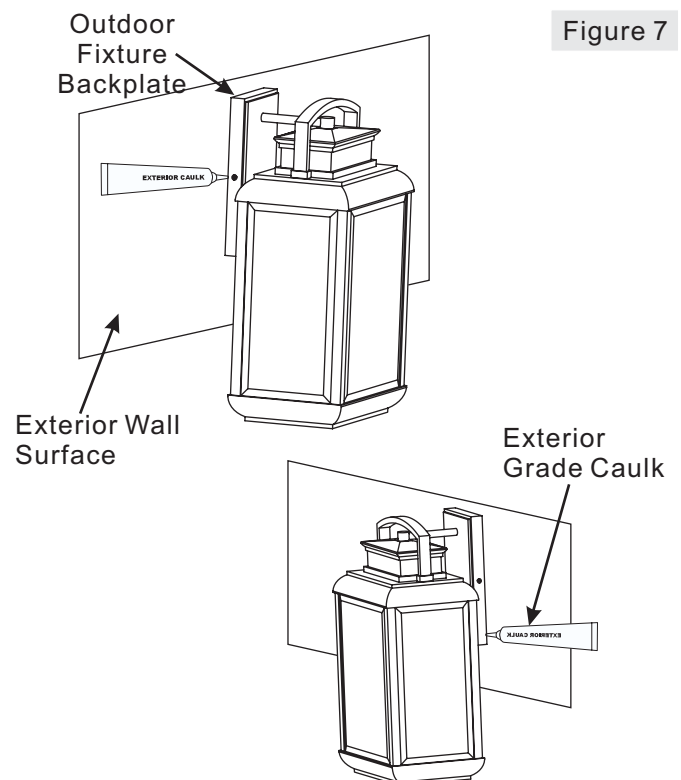


Figure 7

Thank you for purchasing a Quoizel product.

Need assistance with parts or assembly? Call Quoizel customer service at 1-631-273-2700  
or visit us on-line at [www. quozel. com](http://www. quozel. com)