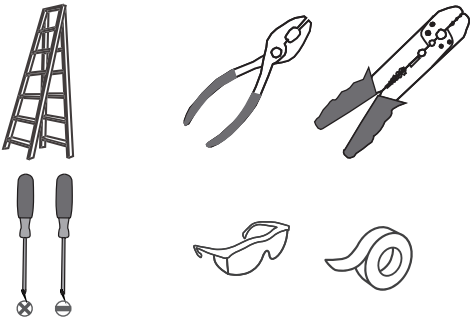
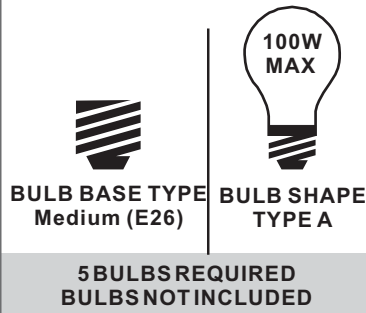


Tools Required



Light Source



**Fixture Height Adjustable
13.5" to 49.5"**

⚠ Warnings and Cautions

Turn off the electricity at the circuit breaker before installation. Consult a licensed electrician if in doubt about installation.

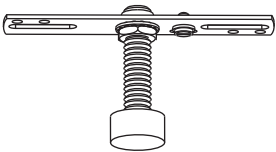
Turn off power to the fixture and allow the bulbs to cool before replacing.

Package Contents

Preparation: Identify and inspect all parts before beginning the installation.

Missing or damaged parts? Contact your original place of purchase.

PARTS BAG



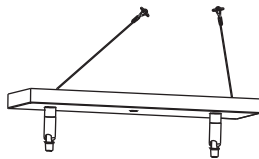
A Crossbar Assembly x 1



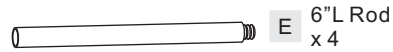
B Outlet Box Screw x 2



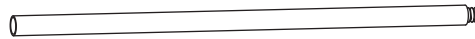
C Wire Connector x 3



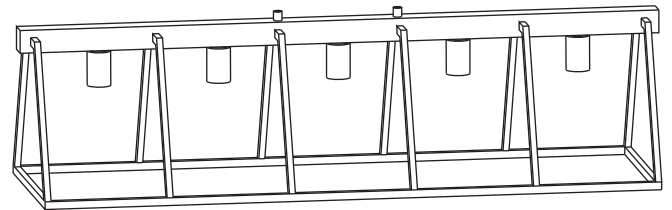
D Ceiling Canopy x 1



E 6" L Rod x 4



F 12" L Rod x 4



G Fixture Body x 1

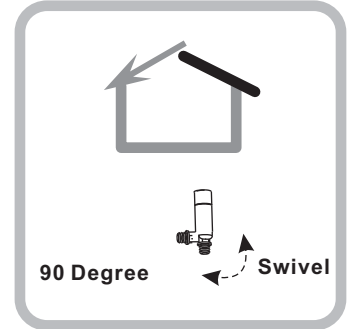
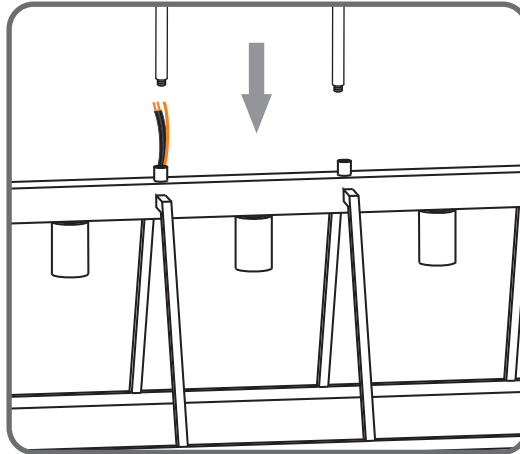
Table of Contents

Crossbar Assembly	Rods	Ceiling Canopy	Lanyard	Wiring	Ceiling Canopy	Bulb
STEP 1	STEP 2	STEP 3	STEP 4	STEP 5	STEP 6	STEP 7

STEP 1

Optional Rods

- 8' ceiling:
(2) 6"L + (2) 12"L rods
- 9' ceiling:
(2) 6"L + (4) 12"L rods
- 10' ceiling:
(4) 6"L + (4) 12"L rods



90 Degree

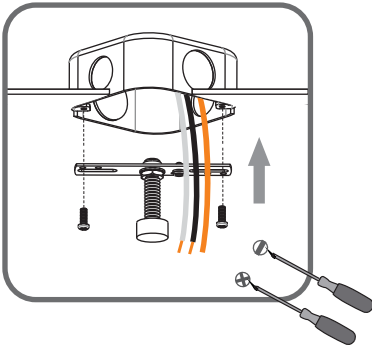


For angled ceilings,
Swivel opening towards wall.

STEP 2

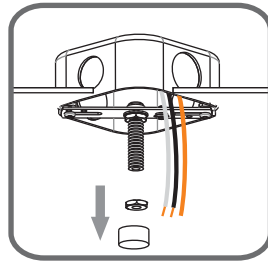
1

Step 1
Install crossbar assembly

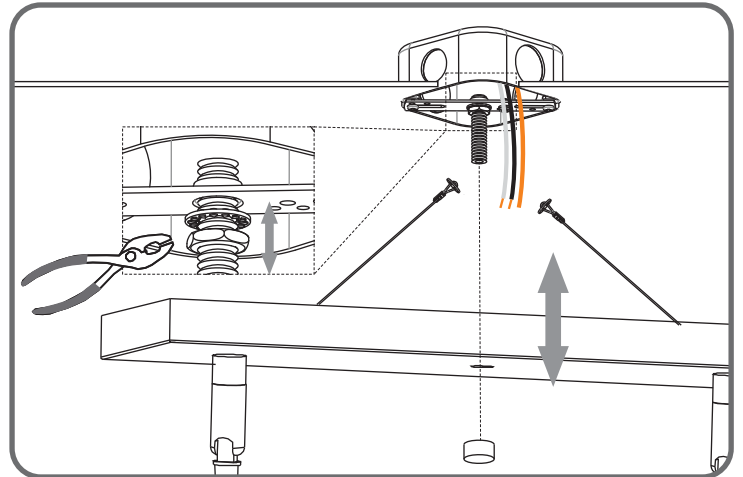


2

Step 2 - 3
Test fitting ceiling canopy to nipple

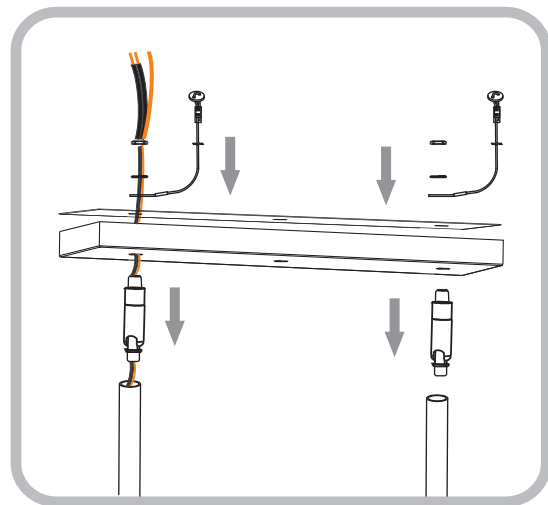
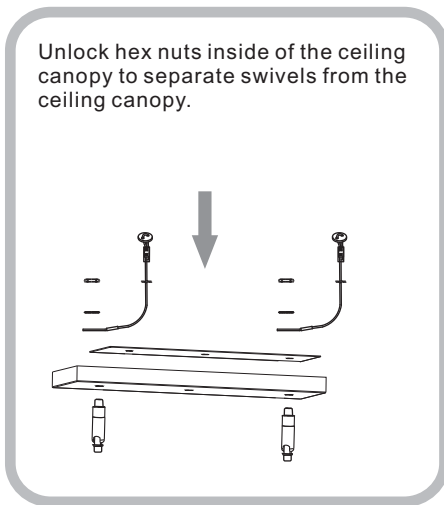


3

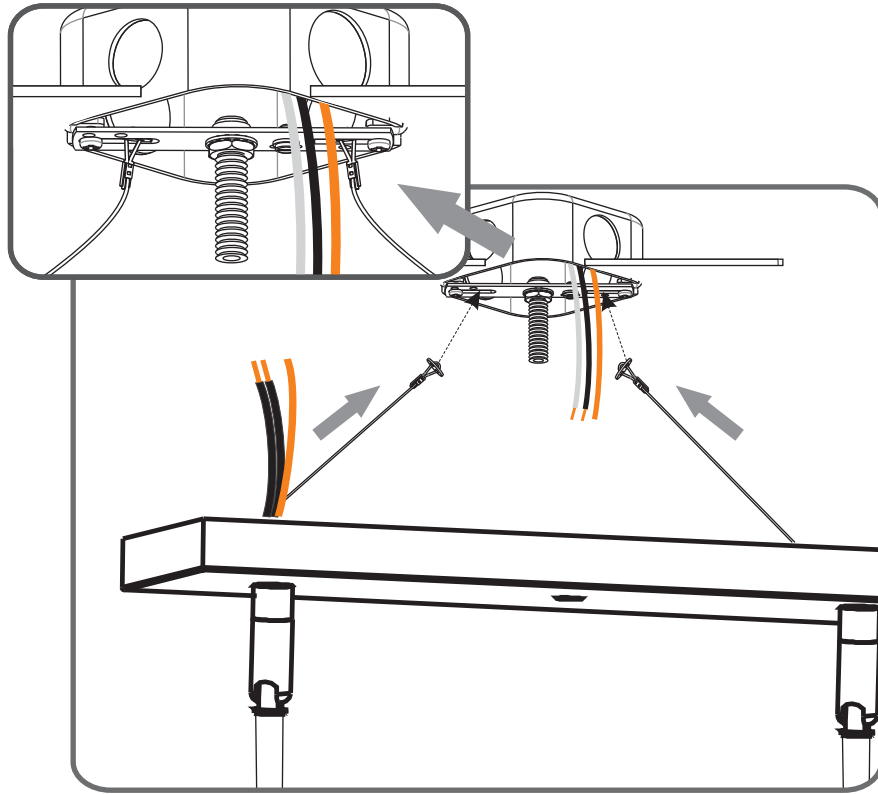


STEP 3

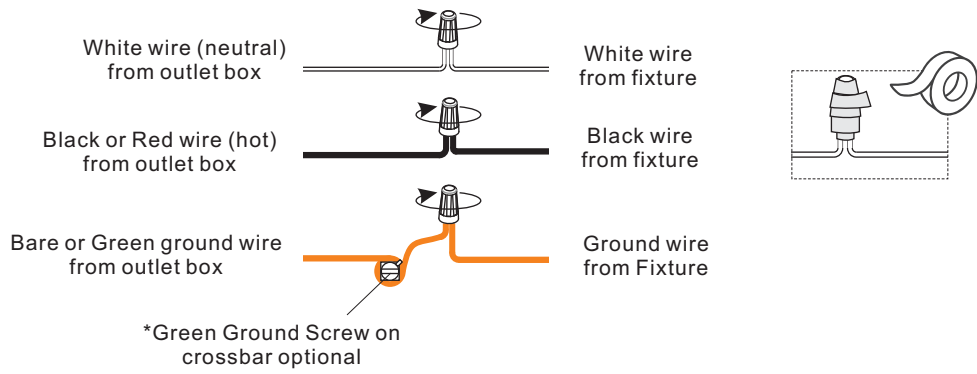
Unlock hex nuts inside of the ceiling canopy to separate swivels from the ceiling canopy.



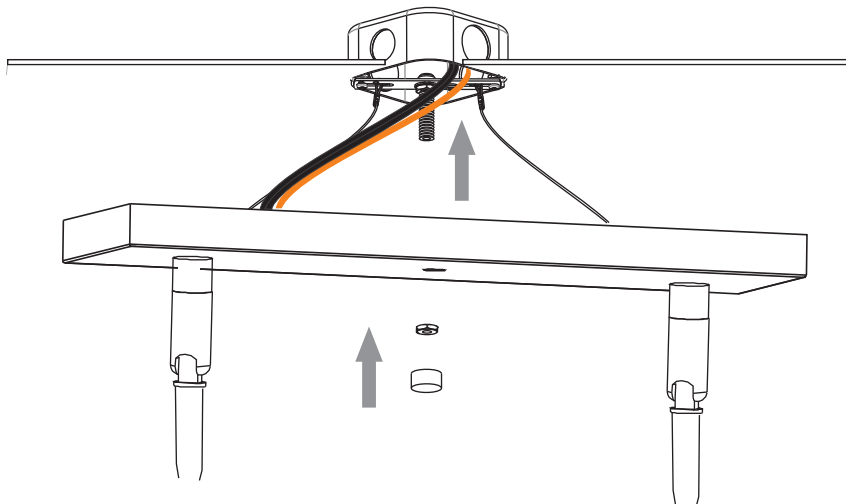
STEP 4



STEP 5



STEP 6



STEP 7

