

Please go to www.quoise.com for product cleaning tips. Go to the **Care + Maintenance** selection.

Tools Required: Flathead screwdriver, Phillips screwdriver, pliers, wire cutters, wire strippers, electrical tape, safety glasses.

Light Source: (1) A21 Medium Base Bulb 150W Maximum, Medium Base Vintage Bulb is recommended, bulb not included.

Estimated Assembly Time: 20-30 minutes

Preparation: Identify and inspect all parts before beginning installation. Check package content list and diagrams below to ensure all parts are present. If any parts are missing or damaged, do not attempt to assemble, install, or operate the fixture. Contact your original place of purchase.

Fixture can only be mounted in the direction indicated on page 2.

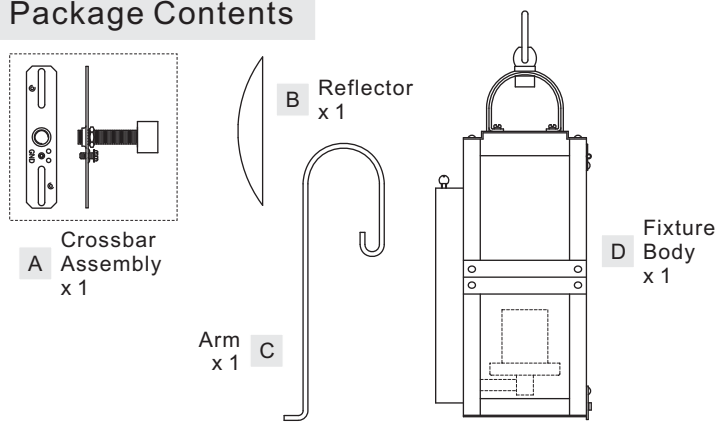
⚠ Warnings and Cautions

Turn off electricity at circuit breaker or main fuse box before installation. Consult a licensed electrician if in doubt.

These instructions are provided for your safety. It is very important you read them completely before installing the fixture. We strongly recommend that a licensed, professional electrician perform the installation.

Disconnect fixture from power source before replacing bulbs. Make sure bulbs are given sufficient time to cool before removal.

Package Contents



STEP 1 - Install the Crossbar Assembly to the junction box

A. Attach the Crossbar Assembly (A) to the outlet box with the head of green ground screw facing you. Secure it with outlet box screws (not included), tighten until snug.

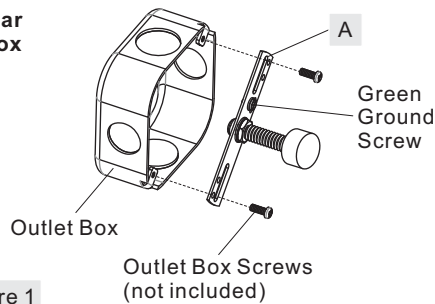


Figure 1

STEP 2 - Install Arm

A. Remove the lock ball from the Fixture Body (D).
B. Place the hook end of the Arm (C) into the loop on the top of the Fixture Body (D). Attach another end of the Arm (C) onto the bolt on the backplate and secure with previously removed lock ball. Hand tighten until snug.

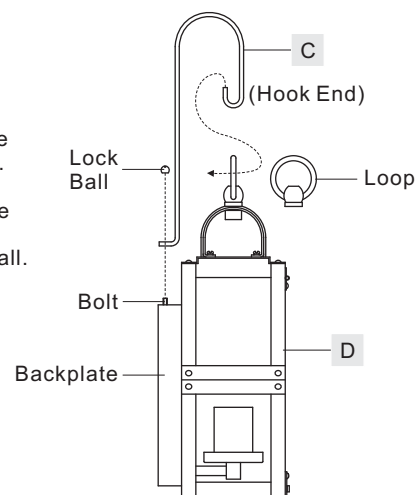


Figure 2

STEP 3 - Test fitting the backplate to the Crossbar Assembly

A. Adjust the hex nut and lock washer underside of the crossbar to the middle of the nipple.
B. Rotate the bolt and remove it from the bolt holder to open the door.
C. Remove the mounting ball from the nipple. Place the backplate and Fixture Body (D) over the nipple against the wall to determine the correct position of the nipple. Thread the mounting ball onto the nipple. Adjust the nipple to allow the backplate to rest against the wall when held in place by the mounting ball.
D. Remove the mounting ball and the Fixture Body (D). Tighten the lock washer and the hex nut against the crossbar to secure in place.

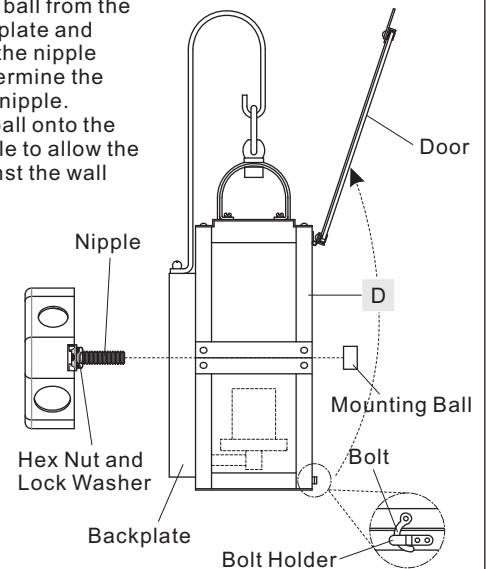


Figure 3

STEP 4 - Wire Connections

A. Wrap bare or green ground wire around green ground screw on the crossbar, no less than 2 inches from the end of the wire. Tighten the green ground screw.
B. Use standard wire connectors (not included) to make all wire connections. Twist connectors until wires are tightly joined together. Wrap each connection with approved electrical tape and carefully stuff all the connected wires into the Outlet Box.

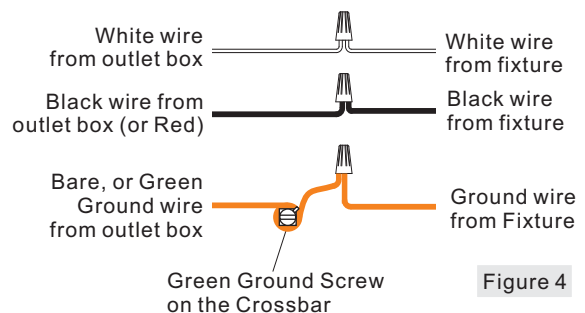


Figure 4

STEP 5 – Install Reflector and Fixture Body

A. Place the backplate of the Fixture Body (D) and the Reflector (B) onto the nipple and secure with previously removed mounting ball. Hand tighten until snug.

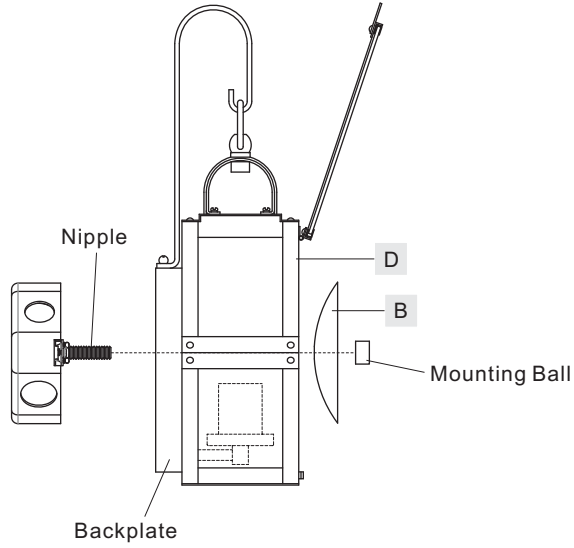


Figure 5

STEP 6 – Install Bulb and Apply Silicone Sealer

A. Insert the bulb onto the socket and screw snugly into place.
 B. Close the door and place the bolt back onto the bolt holder.
 C. Make sure exterior wall surface and fixture backplate are free of dirt before applying caulk. Using exterior grade caulk, caulk over top of backplate and down other side. Do not caulk bottom of fixture backplate to ensure proper moisture drainage.

Your fixture is now assembled and ready to use. Enjoy!

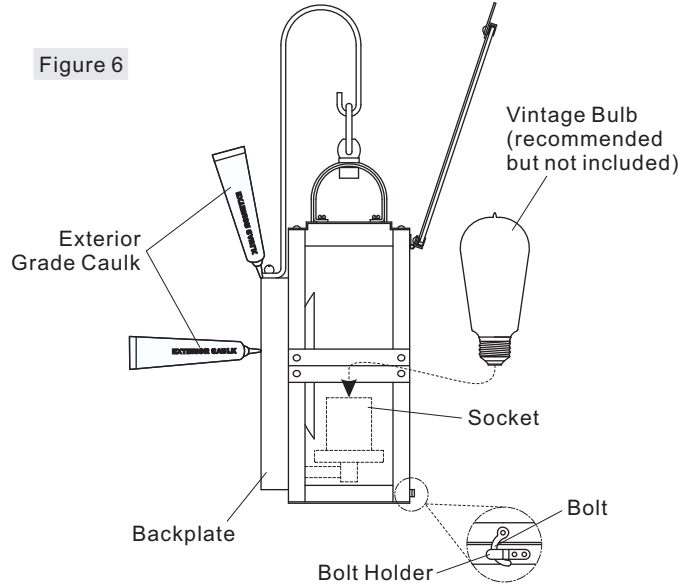


Figure 6

HTH8413MB
 FINISH: MOTTLED BLACK

NOTE: ALL DIMENSIONS ARE ROUNDED UP TO THE NEAREST 1/4"

