

**SAFETY INFORMATION**

Please read and understand this entire manual before attempting to assemble, install or operate the product.

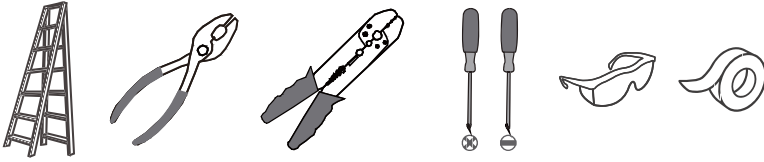
**WARNING**

- RISK OF ELECTRIC SHOCK - Before beginning installation, turn off electricity at the circuit breaker box or the main fuse box.

**CAUTION**

- For your safety, read instructions completely before beginning installation.
- If in doubt about electrical installation, consult a licensed electrician.

**TOOLS REQUIRED**



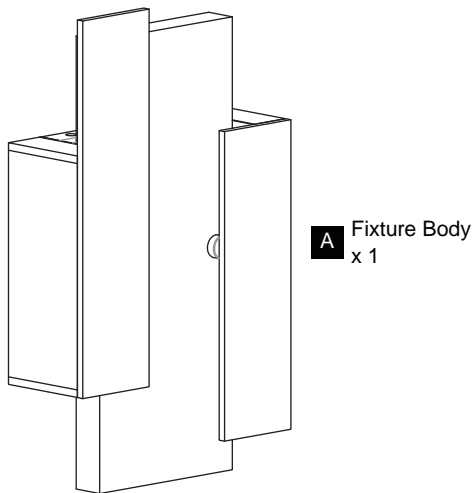
Ratings	120Vac, 60Hz	
	Model No.	Wattage
	MIA8408EK	19W
	MIA8408BRA	19W

**CARE AND MAINTENANCE**

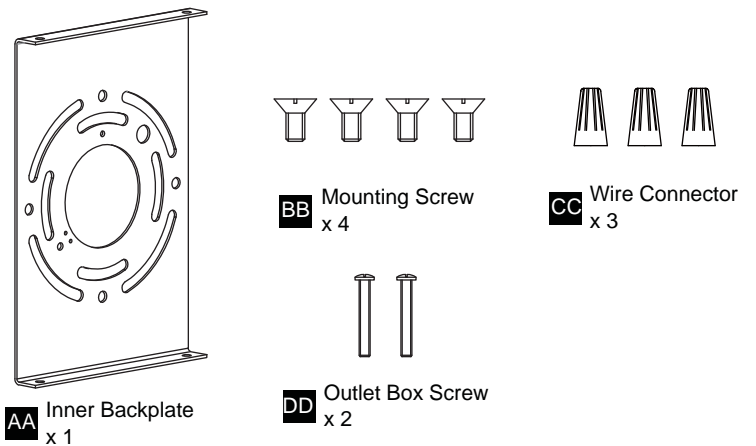
- Wipe clean using soft, dry cloth or static duster. Always avoid using harsh chemicals and abrasives to clean fixture as they may damage the finish.

If you need further assistance call Quozel Customer Care at 1-800-645-3184 (9:00am – 5:00pm EST), or visit us on-line at [www.quezel.com](http://www.quezel.com).

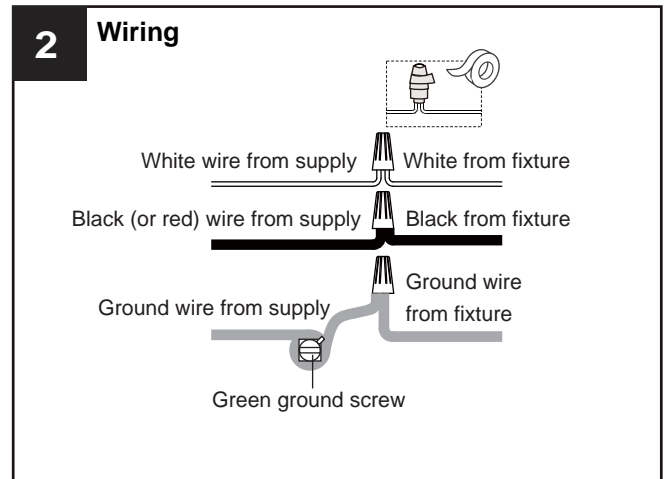
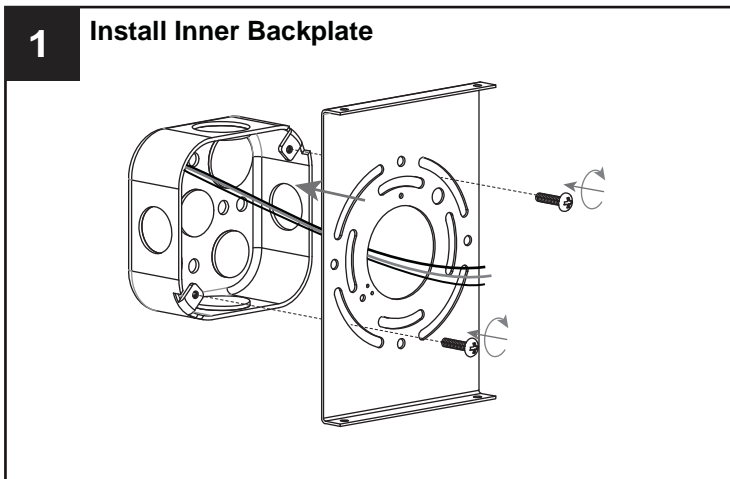
**PACKAGE CONTENTS**



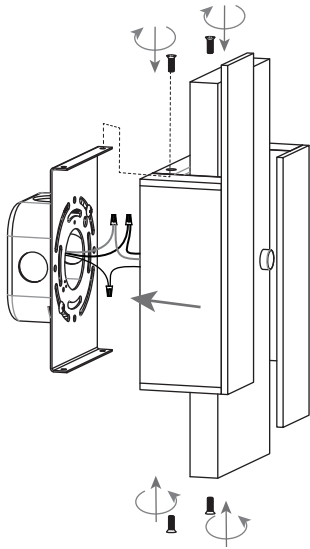
**MOUNTING HARDWARE**



**INSTALLATION**

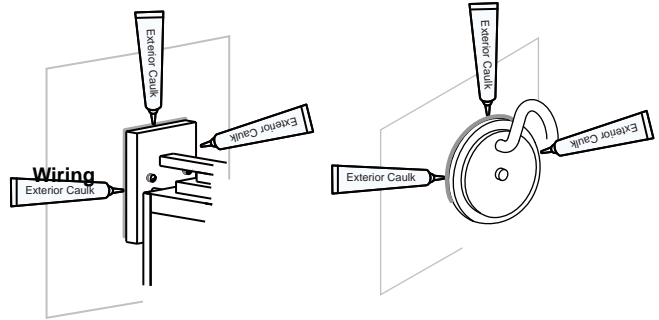


**3** Install Fixture Body



**4** Apply Caulking (Backplate shape is varies depends on items purchased)

**\*Note:** Do NOT caulk the bottom of the backplate to allow moisture to escape.



Rectangle/Square Backplate

Round Backplate

Your installation is now complete! Restore electricity and save this sheet for future reference.