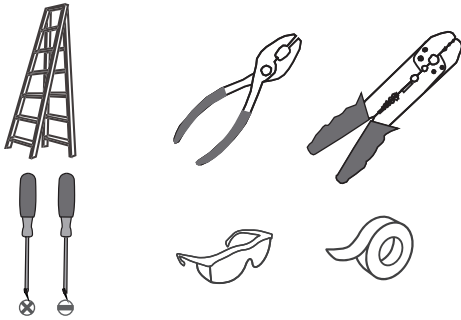
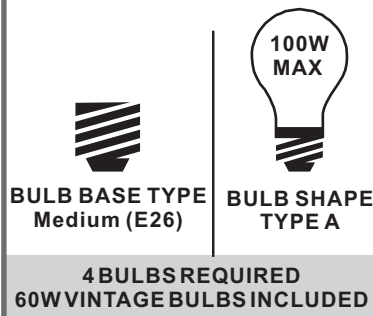


Tools Required



Light Source



Warnings and Cautions

Turn off the electricity at the circuit breaker before installation. Consult a licensed electrician if in doubt about installation.

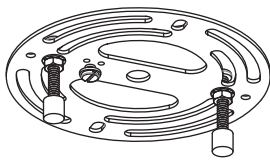
Turn off power to the fixture and allow the bulbs to cool before replacing.

Package Contents

Preparation: Identify and inspect all parts before beginning the installation.

Missing or damaged parts? Contact your original place of purchase.

PARTS BAG



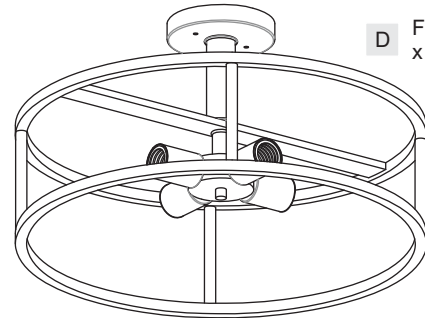
A Crossbar Assembly x 1



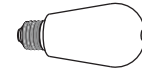
B Outlet Box Screw x 2



C Wire Connector x 3



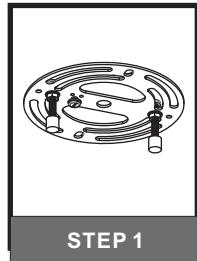
D Fixture Body x 1



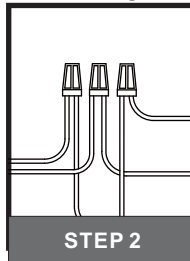
E Vintage Bulb x 4

Table of Contents

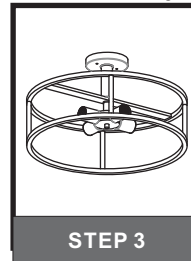
Crossbar Assembly



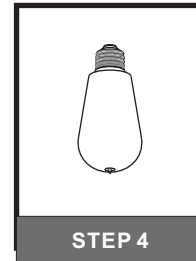
Wiring



Fixture Body



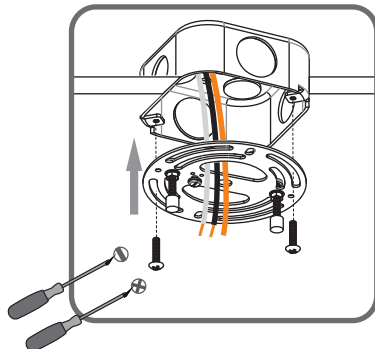
Bulb



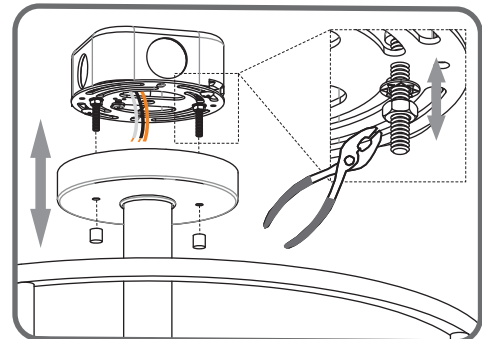
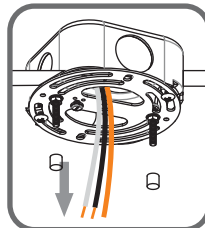
STEP 1



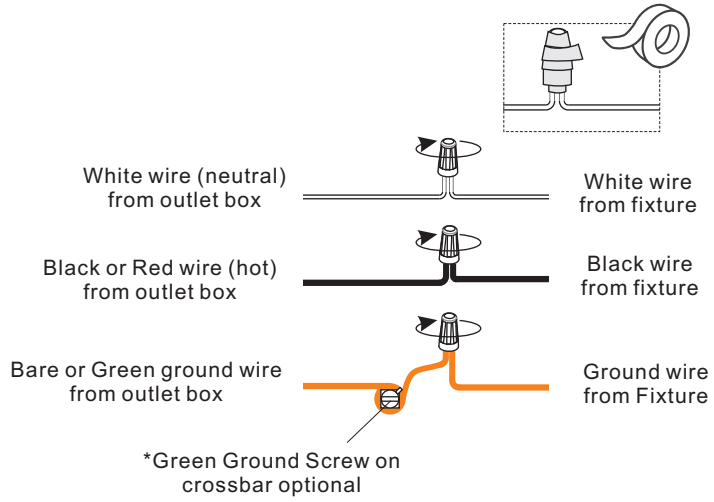
Step 1
Install crossbar assembly



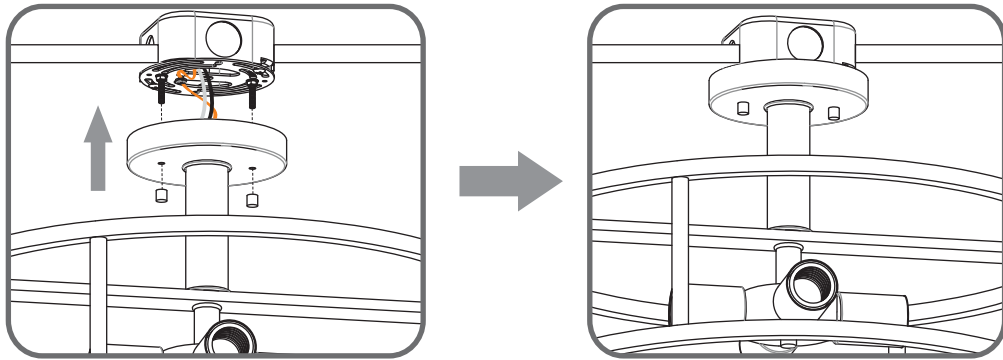
Step 2 - 3
Test fitting ceiling canopy to mounting screws



STEP 2



STEP 3



STEP 4

