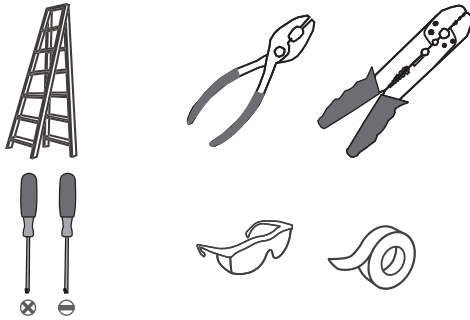


Tools Required



Light Source

41W
LED

**Fixture Height Adjustable
12" to 42"**

⚠ Warnings and Cautions

Turn off the electricity at the circuit breaker before installation. Consult a licensed electrician if in doubt about installation.

Turn off power to the fixture and allow the bulbs to cool before replacing.

Package Contents

Preparation: Identify and inspect all parts before beginning the installation.

Missing or damaged parts? Contact your original place of purchase.

PARTS BAG

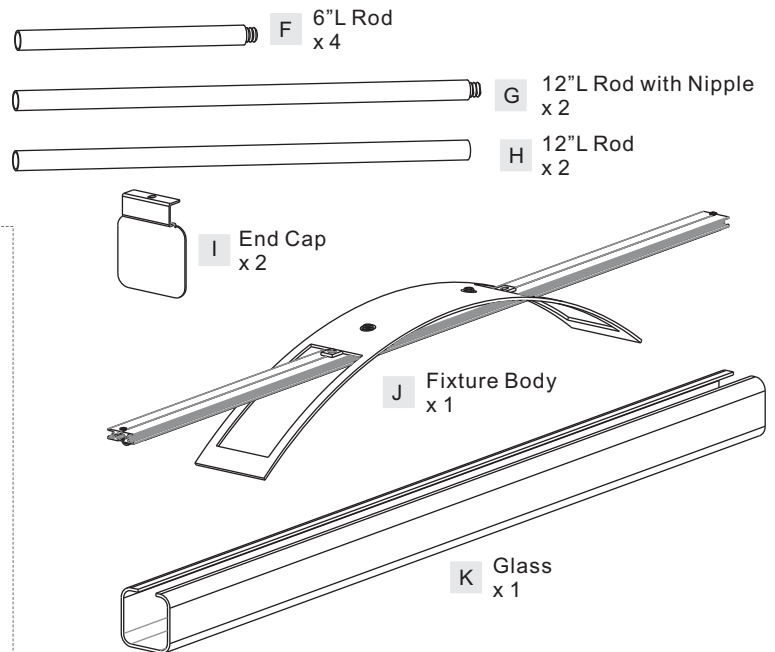
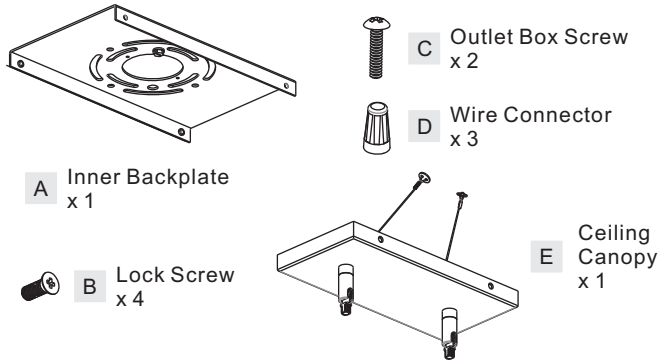
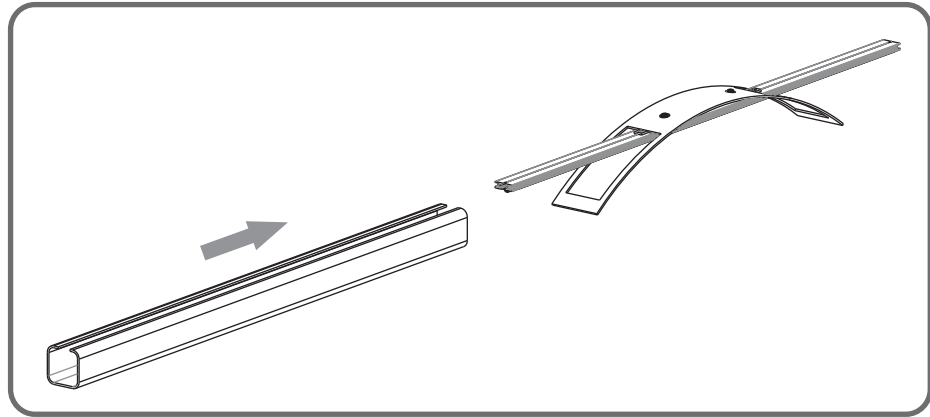


Table of Contents

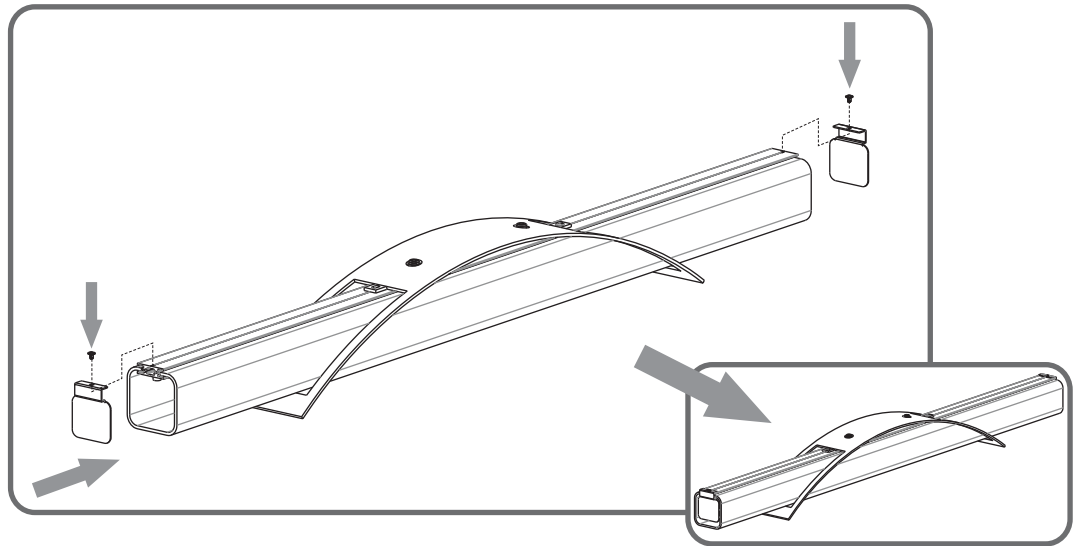
Glass & End Caps	Rods	Rods & Ceiling Canopy	Inner Backplate	Lanyard	Wiring	Ceiling Canopy
STEP 1	STEP 2	STEP 3	STEP 4	STEP 5	STEP 6	STEP 7

STEP 1

1 Install Glass



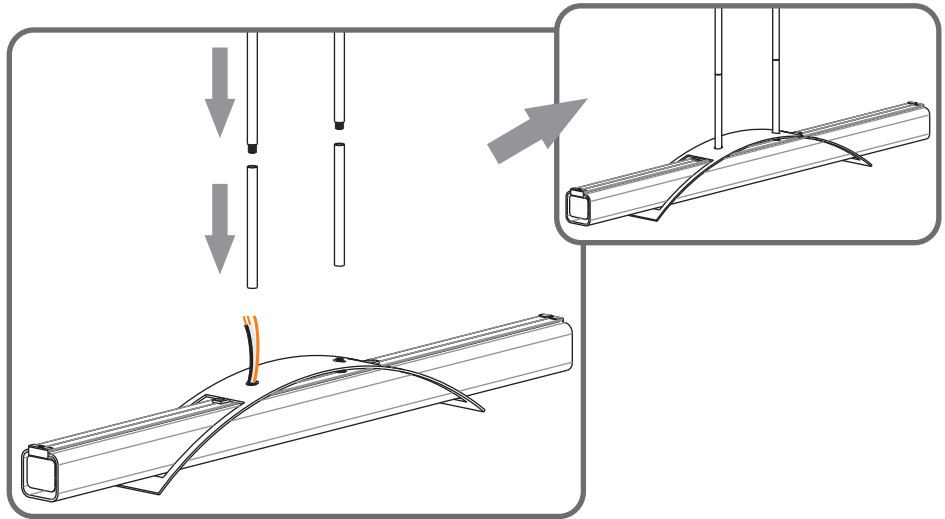
2 Install End Cap



STEP 2

Optional Rods

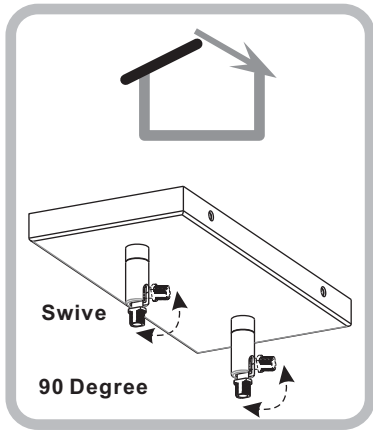
- 8' ceiling:
(4) 12"L rods
- 9' ceiling:
(4) 6"L + (4) 12"L rods



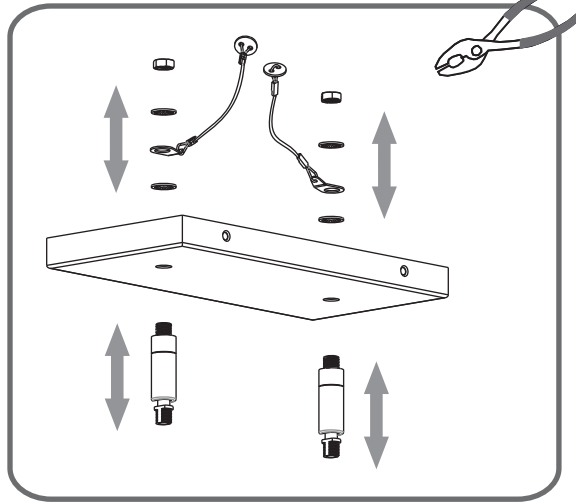
STEP 3

1

Separate Swivels from ceiling canopy



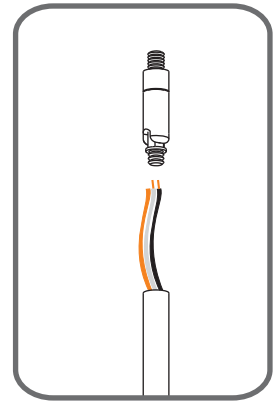
For angled ceilings,
Swivel opening towards wall.



Reinstall swivels to ceiling canopy

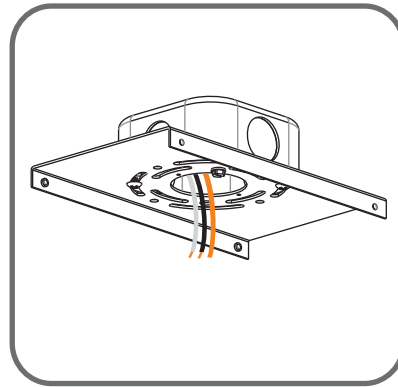
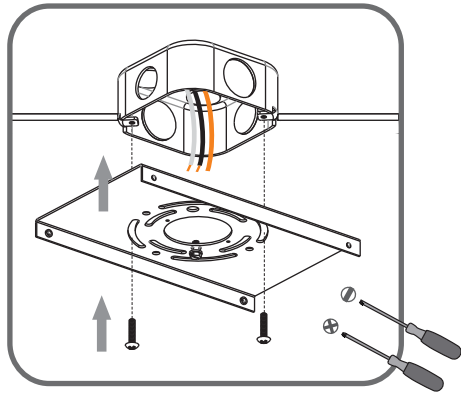
2

Install Swivels to upper rods

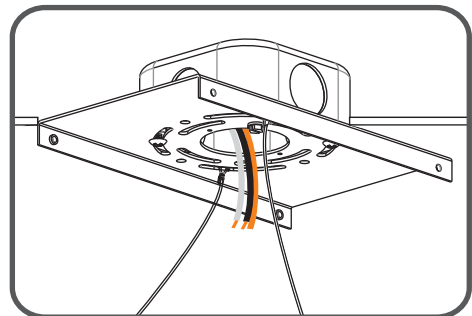
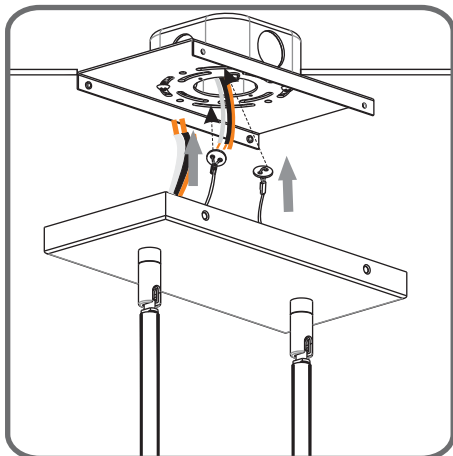


3

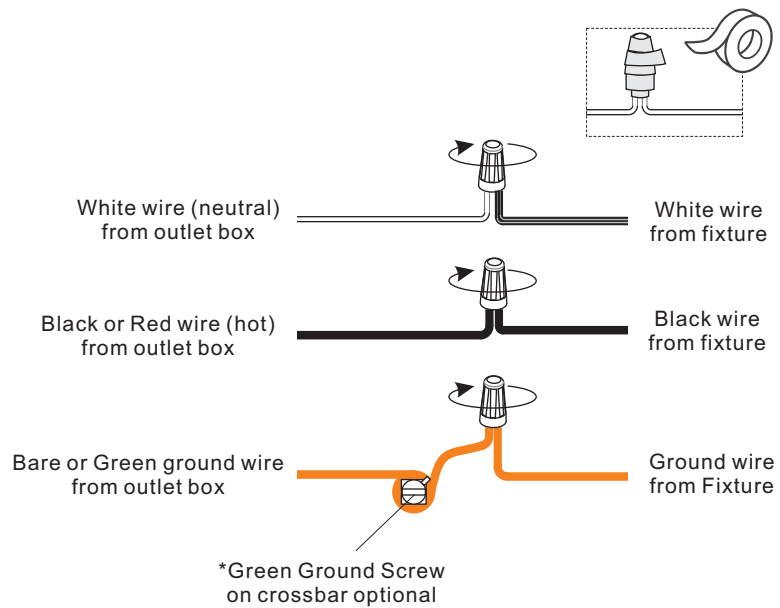
STEP 4



STEP 5



STEP 6



STEP 7

