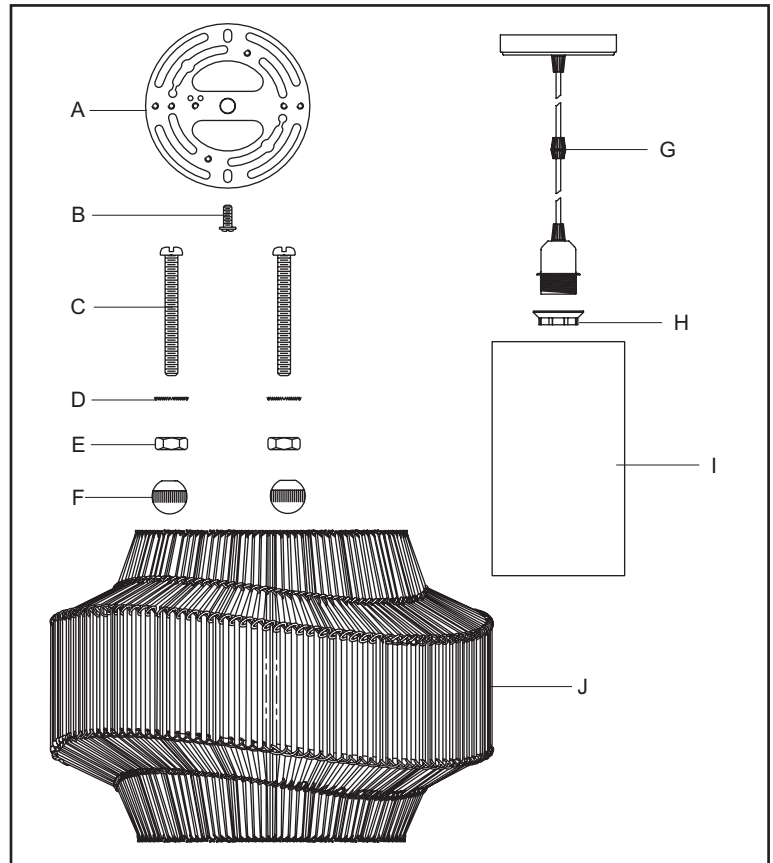


PACKAGE CONTENTS

ISSUED 03-2010

REVISED 2010-04-02

| PART | DESCRIPTION | QUANTITY |
|------|----------------------|----------|
| A | Crossbar | 1 pc |
| B | Green Ground Screw | 1 pc |
| C | Mounting Screw | 2 pcs |
| D | Lock Washer | 2 pcs |
| E | Hex Nut | 2 pcs |
| F | Mounting Ball | 2 pcs |
| G | Cord Kit | 1 pc |
| H | Retainer Ring | 1 pc |
| I | Paper Shade | 1 pc |
| J | Woven Rattan Pendant | 1 pc |



! WARNINGS AND CAUTIONS

WARNING:

- Before beginning the installation, turn off electricity at the circuit breaker box or the main fuse box by switching off the circuit breaker or removing the fuse.

CAUTION:

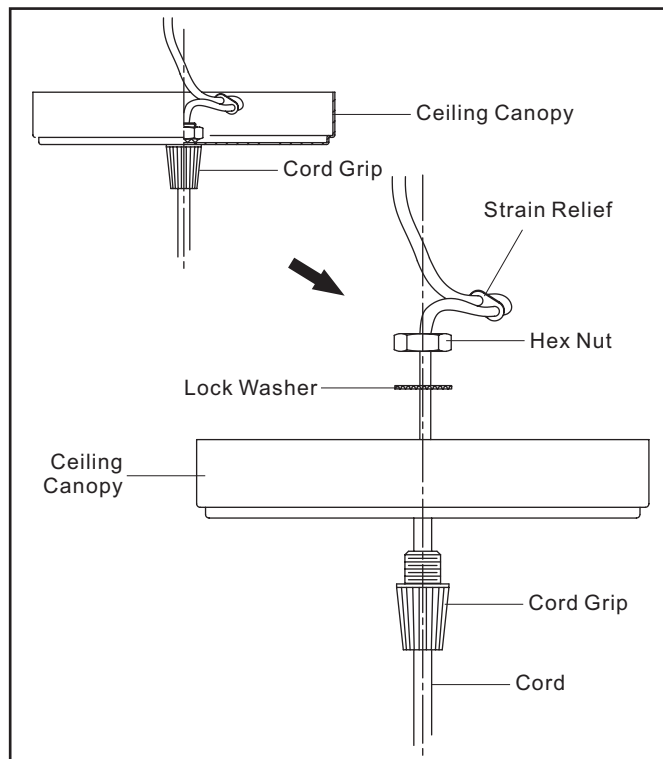
- These instructions are provided for your safety. It is very important that they are read completely before the installation of your fixture. We strongly recommend that a professional electrician install the fixture.
- Disconnect fixture from the power source before replacing the bulb(s), making sure that bulb(s) had sufficient time to cool down. DO NOT subject the lamp to any shock while lit as shattering of lamp may result.

PREPARATION

- Before beginning installation of product, make sure all parts are present. Compare parts with package contents list and diagram above. If any part is missing or damaged, do not attempt to assemble, install or operate the product. Contact customer service for replacement part.
- Estimated Assembly Time: 20 - 30 minutes
- Tool Required for Assembly (not included): Flathead screwdriver, Phillips screwdriver, Pliers, Electrical tape, Wire cutter, Safety glasses and (1) 100W A19 medium base bulb.
- Helpful Tools (not included): Wire strippers.

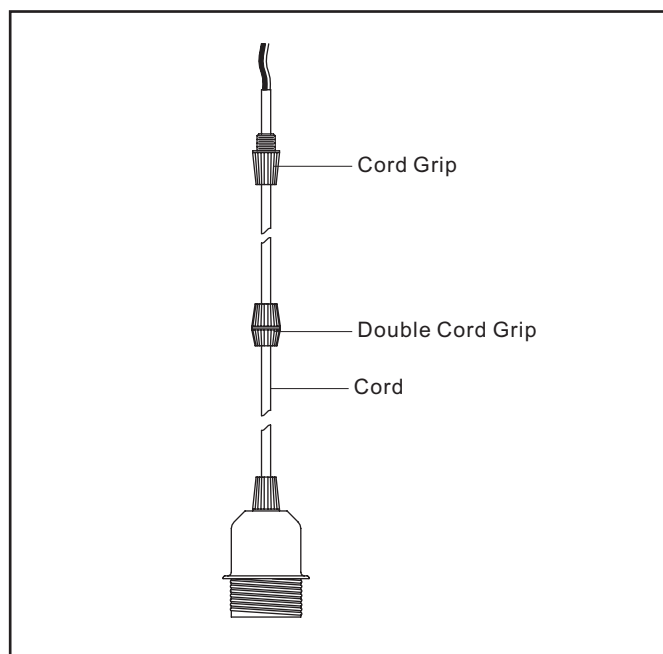
STEP 1:

- a. Unscrew the Cord Grip on the bottom center of the Ceiling Canopy. Take away the Strain Relief, Hex Nut, Lock Washer and the Ceiling Canopy from the Cord.



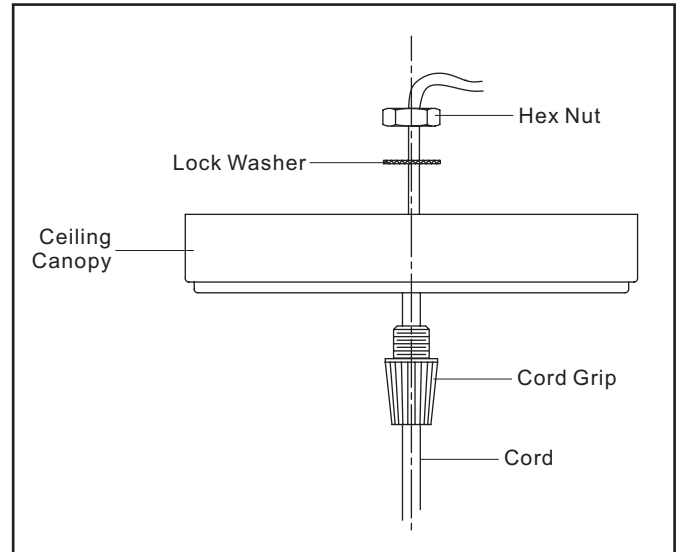
STEP 2:

- a. The Double Cord Grip is not required on this lamp. Unscrew the Double Cord Grip and remove it from the Cord. Please be sure to place the Cord Grip on the top end of the Cord back onto the Cord after the Double Cord Grip is removed.



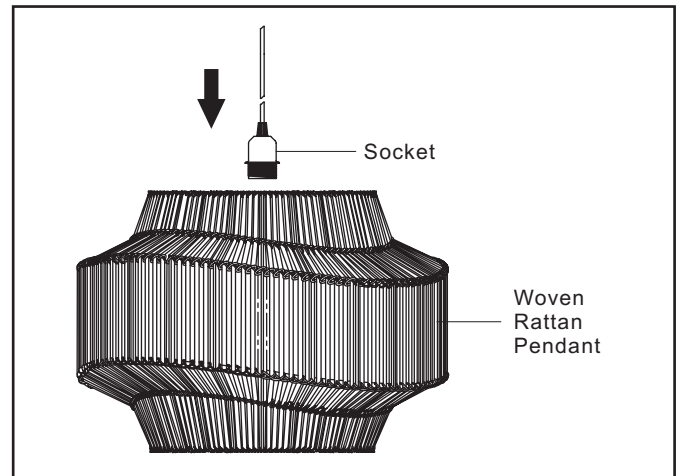
STEP 3:

- a. Place the Cord Grip at the top end of the Cord back through the Ceiling Canopy and Lock Washer as shown. Secure by threading the Hex Nut back onto the Cord Grip. Tighten until snug.

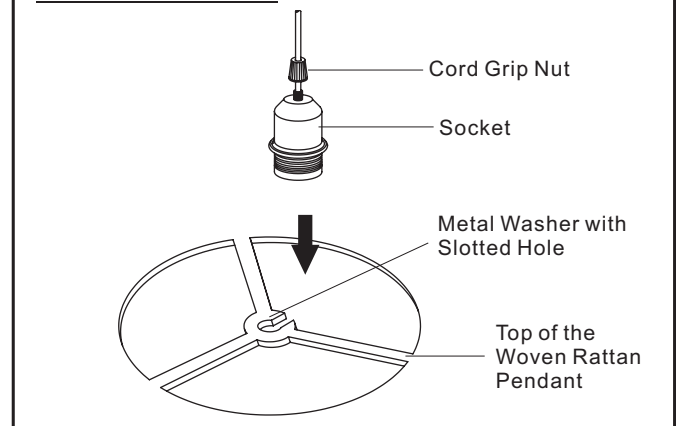


STEP 4:

- * Refer to PERSPECTIVE for the installation.
- a. Unscrew the Cord Grip Nut from the nipple at the top of the Socket.
- b. Place the Socket through the top of the Woven Rattan Pendant. Insert the Nipple/Cord Grip into the Slotted Hole in the Metal Washer. Then screw the Cord Grip Nut back onto the nipple at the top of the Socket to secure the Woven Rattan Pendant. Hand-tighten until snug.

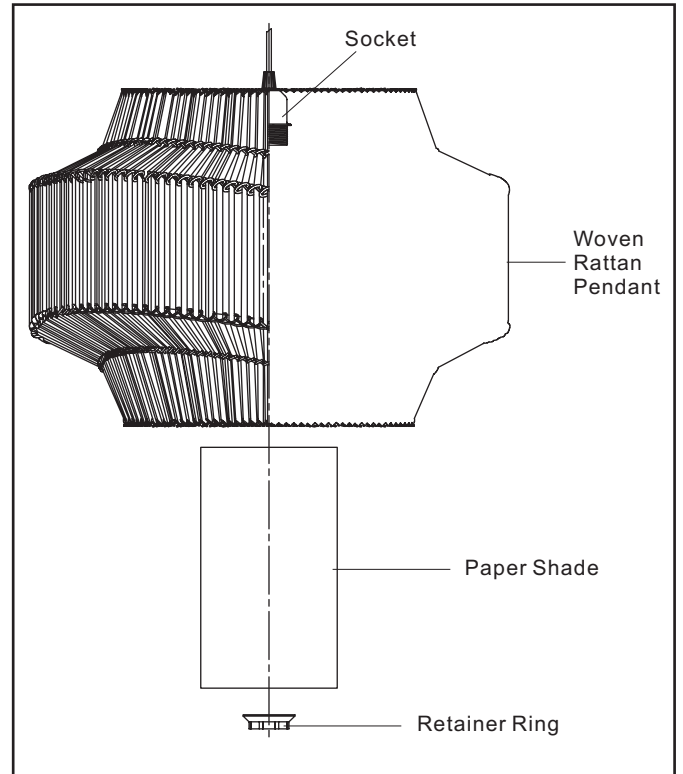


PERSPECTIVE



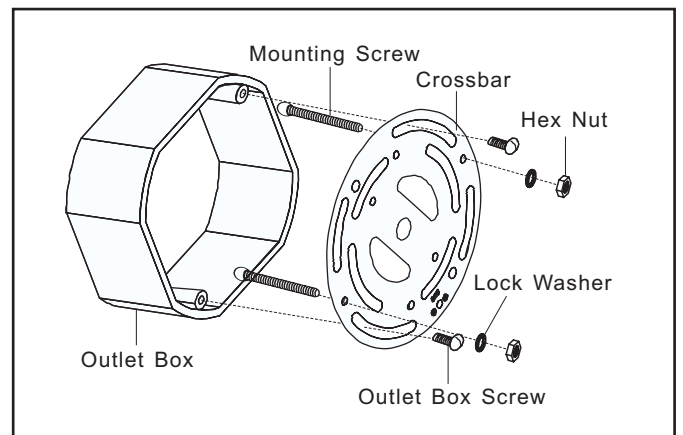
STEP 5:

- a. Place the Paper Shade inside of the Woven Rattan Pendant, over the Socket. Secure by threading the Retainer Ring onto the Socket. Hand-tighten until snug.



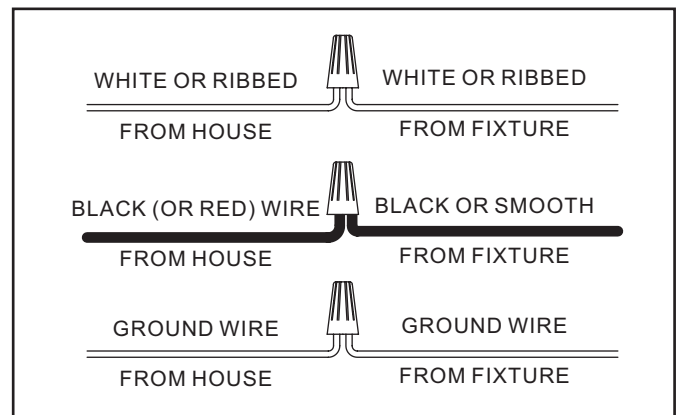
STEP 6:

- a. Screw the Mounting Screws into the Crossbar, place the Lock Washers over the Mounting Screws and thread the Hex Nuts onto the Mounting Screws as shown. Secure the position of the Mounting Screws by tightening the Hex Nuts against the Crossbar.
- b. Secure the Crossbar to the Outlet Box with Outlet Box Screws.



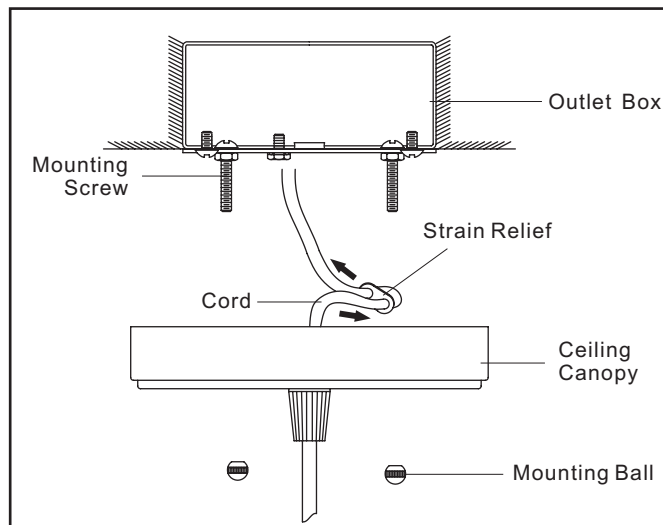
STEP 7:

- * Use Wire Connectors (not supplied) to connect the wires.
- a. Connect the House Ground Wire to the Fixture Ground Wire.
 - b. Connect the House White (or Ribbed) Wire to the Fixture Supply Wire (Black or Smooth Side).
 - c. Connect the House Black (or Red) Wire to the Fixture Supply Wire (Black or Smooth Side).
 - d. Wrap each connection with approved electrical tape and carefully stuff all of the connected wires into the Outlet Box.



STEP 8:

- a. Pull the Cord through the Strain Relief as the narrow direction in the diagram.
- b. Place the Ceiling Canopy over the Mounting Screws and secure with Mounting Balls. Hand-tighten until snug.

**STEP 9:**

- a. Install the correct bulb referring to fixture markings and/or labels for maximum wattage.

Your installation is completed now. Restore electricity. Retain this sheet for future reference.