

Q U O I Z E L
6 CORPORATE PARKWAY
GOOSE CREEK, SC. 29445
www. quoizel. com

Quoizel, Inc.
6 Corporate Parkway
Goose Creek, SC
29445

Customer Service
Phone 631.273.2700
Fax 631.231.7102
www. quoizel. com

Assembly Instruction Sheet #IS-UPGR5005WT For Style UPGR5005WT

Tools Required: Flathead screwdriver, Phillips screwdriver, pliers, wire cutters, wire strippers, electrical tape, safety glasses.

Bulb Recommended: (4) Medium Base 100W Maximum (not supplied), (1) MR-16 with GU10 Base Shielded 50W Maximum (supplied)

Estimated Assembly Time: 30-45 minutes

Preparation: Identify and inspect all parts before beginning installation. Check package content list and diagrams below to be sure all parts are present. If any parts are missing or damaged, do not attempt to assemble, install, or operate the fixture. Contact customer service for replacement parts.



Warnings and Cautions

Turn off electricity at circuit breaker or main fuse box before installation. Consult a licensed electrician if in doubt.

These instructions are provided for your safety. It is very important you read them completely before installing the fixture. We strongly recommend that a licensed, professional electrician perform the installation.

Disconnect fixture from power source before replacing bulbs. Make sure bulbs are given sufficient time to cool before removal. Do not subject glass parts to any shock while in operation or shattering may result.

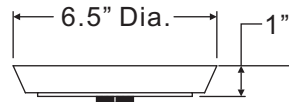
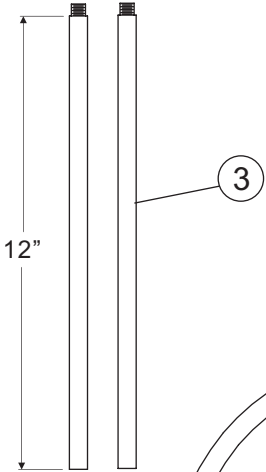
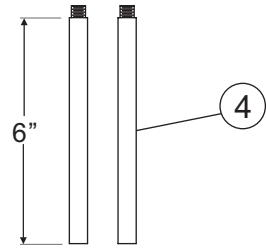
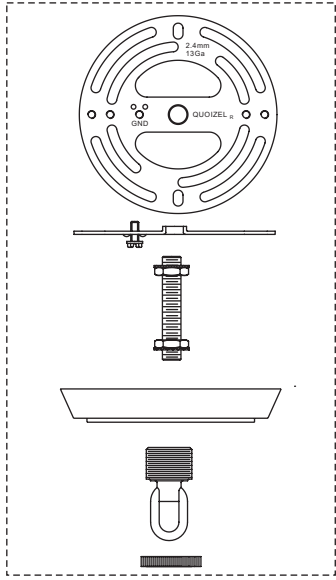
Thank you for purchasing a Quoizel product.

**Need assistance with parts or assembly? Call Quoizel customer service at 1-631-273-2700
or visit us on-line at www. quoizel. com**

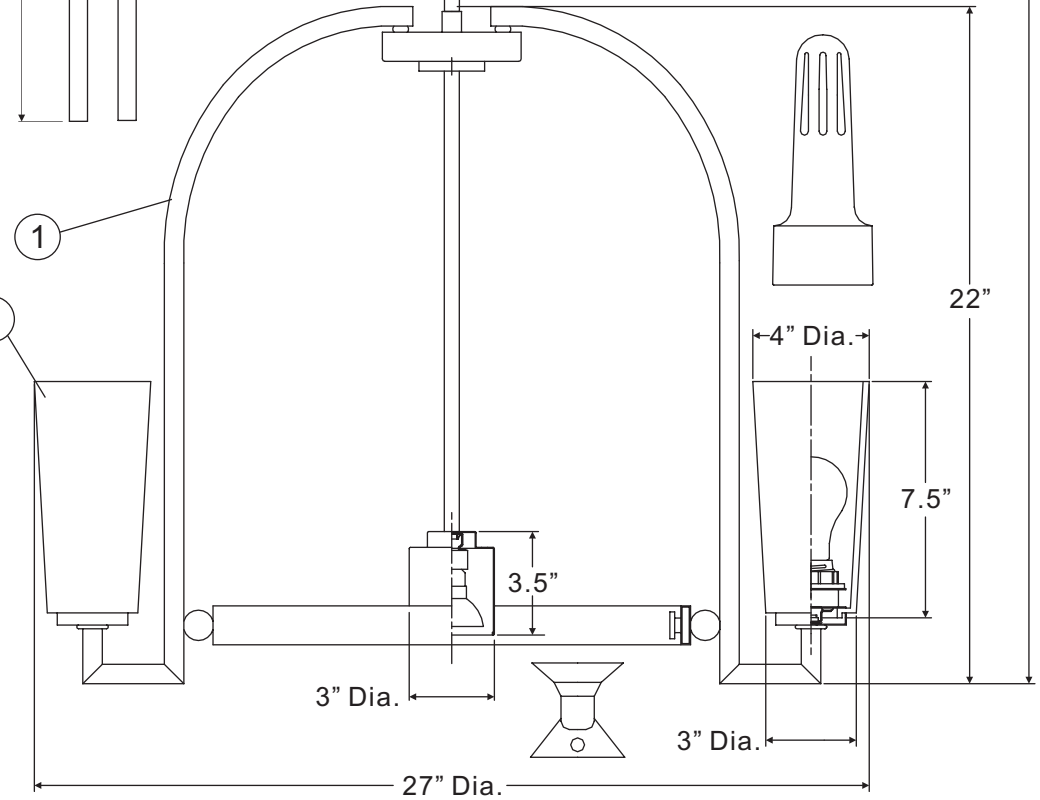
UPGR5005WT

FINISH: WESTERN BRONZE

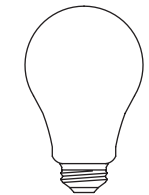
NOTE: TWO LIGHTS SHOWN FOR ILLUSTRATION PURPOSES ONLY.



Overall Height 64"
[Includes (2)6" Rods
and (2)12" Rods]



(1)50W MR-16 with
GU10 Base Shielded
Bulb (Supplied)



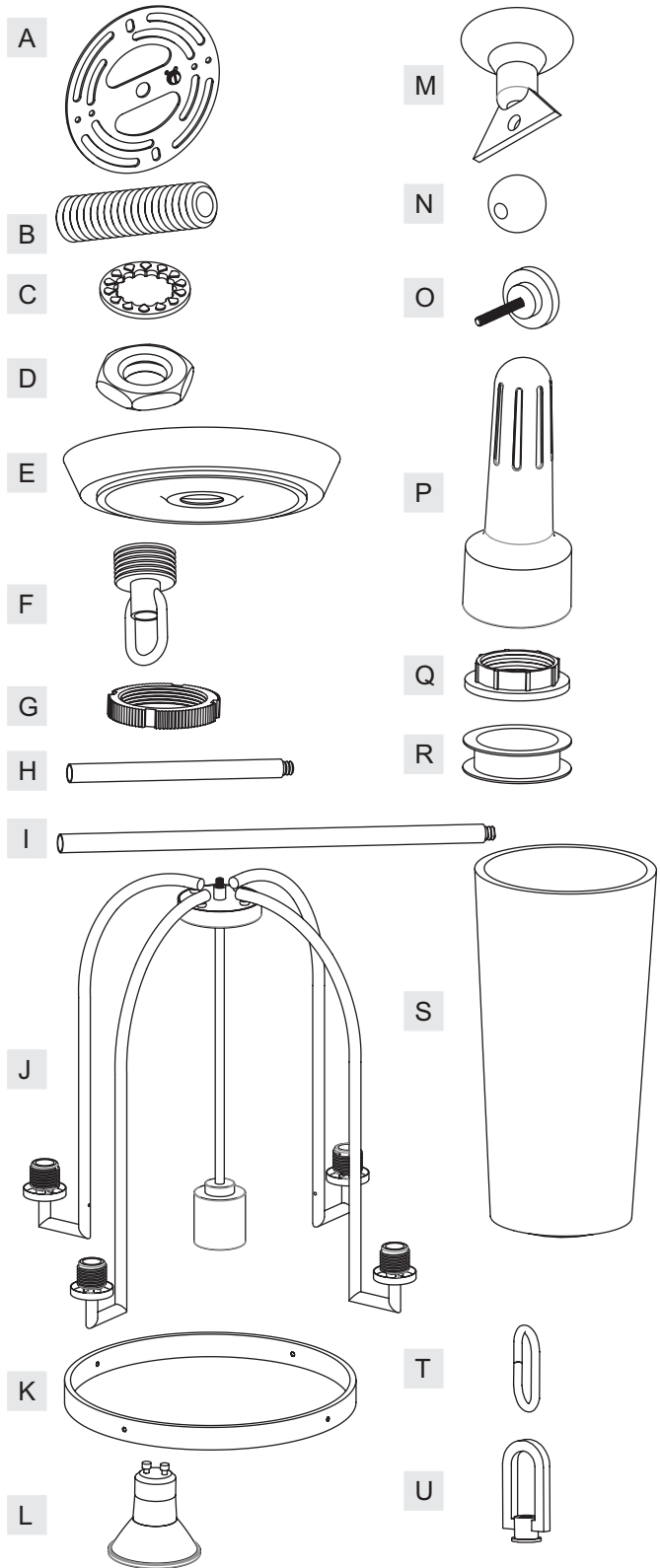
(4)100W Medium
Base Bulbs
(Not Supplied)

NOTE: ALL DIMENSIONS ARE ROUNDED UP TO THE NEAREST 1/2"

NO.	PART NUMBER	REPLACEMENT PART DESCRIPTION	REQ.
1	15005WTUPGR	BASE WESTERN BRONZE UPGR5005WT	1
2	G3442SH	OPAL ETCH GLASS	5
3	9012EXWT	ROD EXTENSION WESTERN BRONZE 12"L X 0.5"D	2
4	9006EXWT	ROD EXTENSION WESTERN BRONZE 6"L X 0.5"D	2

Package Contents

Part	Description	Quantity
A	Crossbar	1 pc.
B	Nipple	1 pc.
C	Lock Washer	2 pcs.
D	Hex Nut	2 pcs.
E	Ceiling Canopy	1 pc.
F	Canopy Chain Loop	1 pc.
G	Canopy Lock Ring	1 pc.
H	6" Rod	2 pcs.
I	12" Rod	2 pcs.
J	Socket Assembly	1 pc.
K	Ring	1 pc.
L	MR-16 Bulb	1 pc.
M	Plastic Suction Tool	1 pc.
N	Ball	4 pcs.
O	Lock Screw	4 pcs.
P	Socket Collar Tool	1 pc.
Q	Socket Collar	4 pcs.
R	Steel Collar	4 pcs.
S	Shade	4 pcs.
T	Fixture Chain	1 pc.
U	Fixture Loop	1 pc.

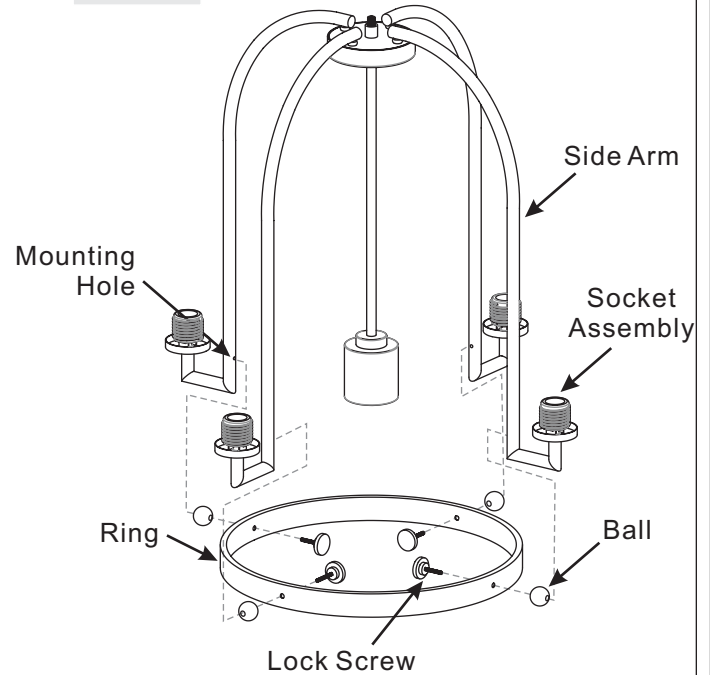


**Thank you for purchasing a Quoizel product.
 Need assistance with parts or assembly? Call Quoizel customer service at 1-631-273-2700
 or visit us on-line at www. quozel. com**

STEP 1 – Attach Ring to Socket Assembly

- A. Place Lock Screws (O) through the holes on the Ring (K) and Balls (N). Thread Lock Screws (O) into Mounting Holes on Side Arms. Hand tighten until snug to secure the Ring (K) to the Socket Assembly (J).

Figure 1



STEP 2– Assemble Rods

- A. Determine the Rods (H/I) to be assembled to the fixture according to your hanging height.
B. Pass Supply Wires and Ground Wire through the chosen Rods (H/I) and then thread the chosen Rods (H/I) to the Socket Assembly (J). Hand tighten until snug.

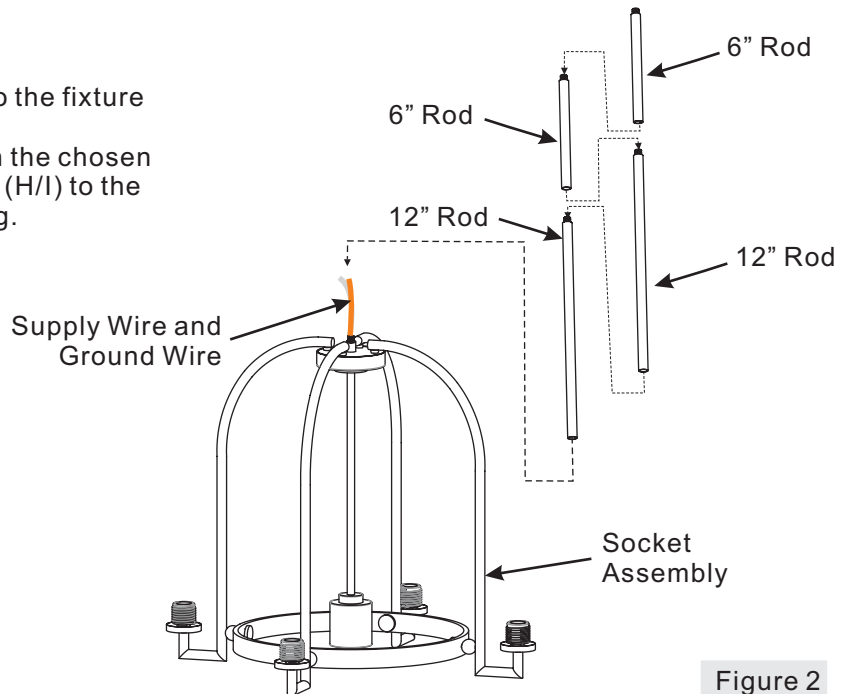
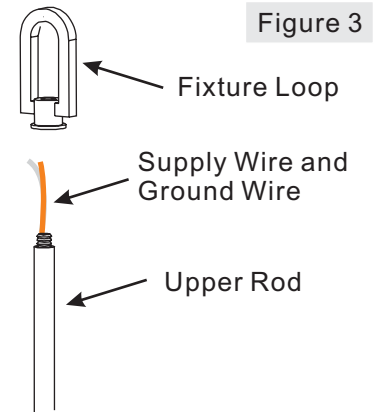


Figure 2

**Thank you for purchasing a Quozel product.
Need assistance with parts or assembly? Call Quozel customer service at 1-631-273-2700
or visit us on-line at www. quozel. com**

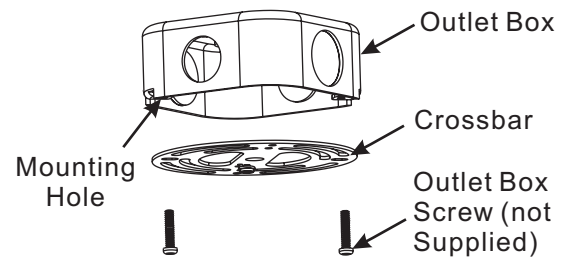
STEP 3 – Assemble Fixture Loop to Upper Rod

- A. Pass Supply Wires and Ground Wire through the Fixture Loop (U) then thread the Fixture Loop (U) and the Upper Rod together. Hand tighten until snug.



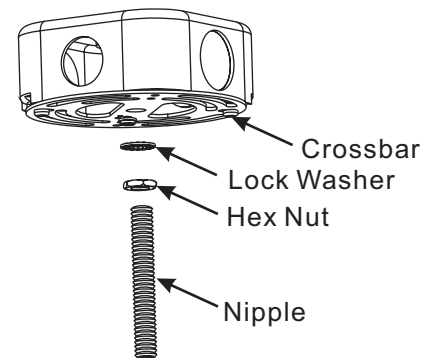
STEP 4 – Attach Crossbar to Outlet Box

- A. Secure the Crossbar (A) to the outlet box with outlet box screws (not supplied). Tighten until snug.



STEP 5 – Attach Nipple to Crossbar

- A. Thread one Hex Nut (D) onto the top end of the Nipple (B).
- B. Place one Lock Washer (C) over the top end of the Nipple (B) and then thread the Nipple (B) into the center lock hole of the Crossbar (A).
- C. Using pliers, thread the Hex Nut (D) against the Crossbar (A) and hand tighten until snug.



Thank you for purchasing a Quoizel product.
Need assistance with parts or assembly? Call Quoizel customer service at 1-631-273-2700
or visit us on-line at www. quozel. com

STEP 6 – Attach Canopy Chain Loop to Nipple

- A. Thread another Hex Nut (D) onto the end of the Nipple (B).
- B. Place the Lock Washer (C) over the end of the Nipple (B) and then thread the Canopy Chain Loop (F) onto the end of the Nipple (B).
- C. Using pliers, thread the Hex Nut (D) against the Canopy Chain Loop (F) and hand tighten until snug.

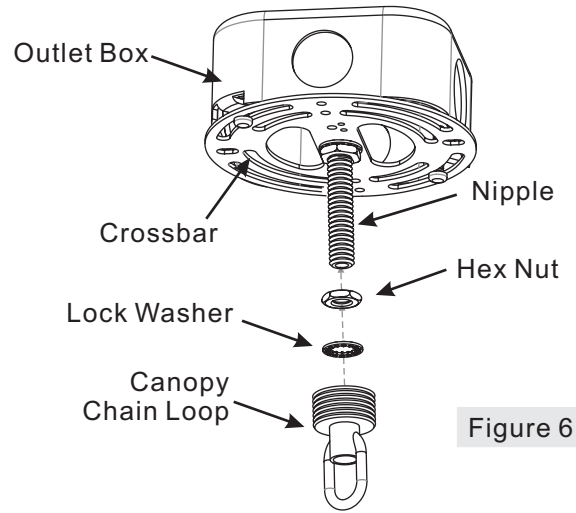


Figure 6

STEP 7 – Assemble Ceiling Canopy

- A. Push the Ceiling Canopy (E) upward over the Outlet Box. Thread the Canopy Lock Ring (G) onto the Canopy Chain Loop (F) and tighten until snug to secure the Ceiling Canopy (E).

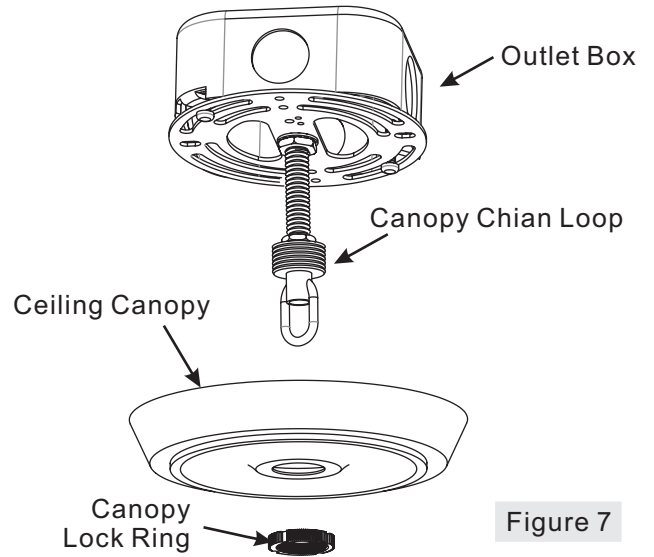


Figure 7

Thank you for purchasing a Quoizel product.

**Need assistance with parts or assembly? Call Quoizel customer service at 1-631-273-2700
or visit us on-line at www. quozel. com**

STEP 8 – Attach Fixture Chain to Canopy Chain Loop and Fixture Loop

- A. You may need to use plier to open the chain links. If so, put a cloth over the chain to protect the finish from the pliers.
- B. Attach one end of the Fixture Chain (T) onto the Canopy Chain Loop (F) and then attach the other end of the Fixture Chain (T) onto the Fixture Loop (U) on the top of the fixture.

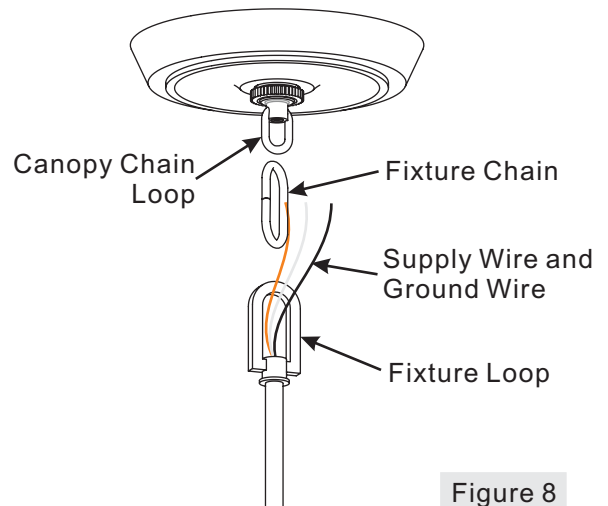


Figure 8

STEP 9 – Make Wire Connections

- A. Un-thread the Canopy Lock Ring (G) and slide Canopy Lock Ring (G) and Ceiling Canopy (E) down the Single Chain.
- B. Push all slack fixture wire through Canopy Chain Loop into Outlet Box. Trim excess fixture wire leaving a minimum of 6 inch. Hanging out of the Outlet Box.
- C. Use standard wire connectors to make all wire connections. (Connectors are not included with fixture.) Strip and prepare wire ends according to instructions supplied with connectors.
- D. Connect White Supply Wire from the Outlet Box to White Wire from fixture.
- E. Connect Black (or Red) Supply Wire from the Outlet Box to Black Wire from fixture.
- F. Connect Ground Wire from the Outlet Box to Ground Wire from fixture.
- G. Twist connectors until wires are tightly joined together.
- H. Wrap each connection with approved electrical tape and carefully stuff all the connected wires into the Outlet Box.
- G. Re-attach the Ceiling Canopy (E) as shown in Step 7.

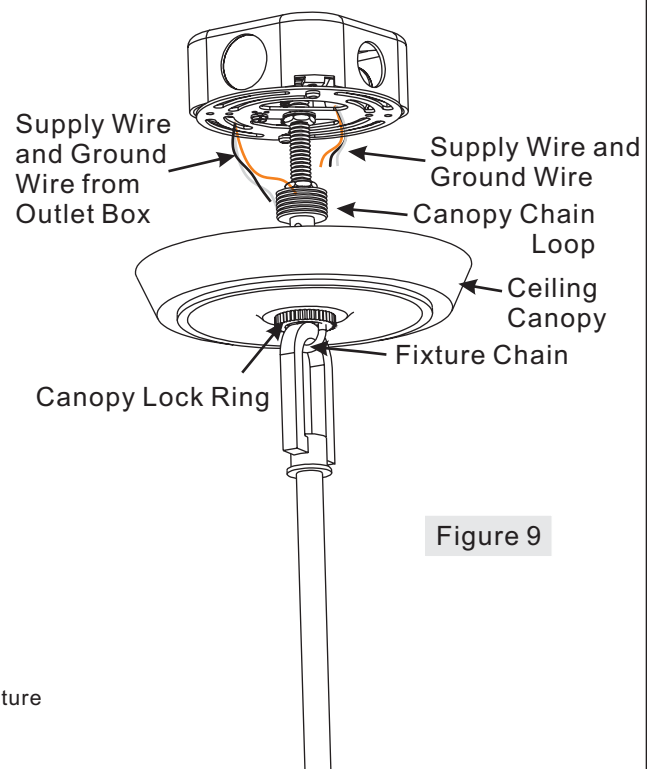


Figure 9

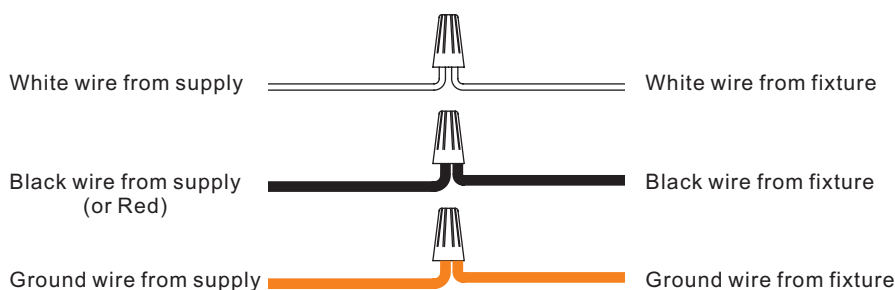


Figure 10

Thank you for purchasing a Quoizel product.
Need assistance with parts or assembly? Call Quoizel customer service at 1-631-273-2700
or visit us on-line at www. quozel. com

STEP 10 – Attach Shade to Socket

- A. Place the Shade (S) and the Steel Collar (R) over the Socket as shown. By using the Socket Collar Tool (P), thread the Socket Collar (Q) onto the Socket to secure the Shade (S). Hand tighten until snug.

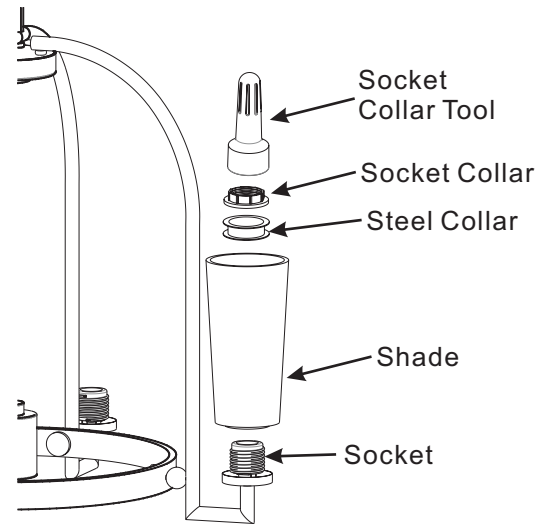


Figure 11

STEP 11 – Install MR-16 Bulb

- A. This fixture uses MR-16 with GU10 Base Shielded Bulb (supplied). Maximum 50 watts.
B. Put the Plastic Suction Tool (M) onto the MR16-GU10 Bulb as shown.
C. Install the Bulb into the Socket Base by aligning the pins on the MR-16 Bulb with the keyholes in the Socket Base. Once they are aligned, gently push the Bulb into the keyholes and twist the Bulb to lock it in place.
D. Remove the Plastic Suction Tool (M) from the MR16-GU10 Bulb.

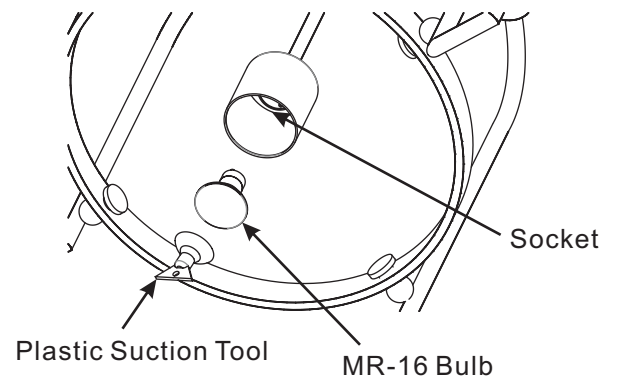


Figure 12

STEP 12 – Install Bulb

- A. This fixture uses standard bulb with a standard screw base. Maximum 100 watts.
B. Insert bulb and screw properly into place.

Your fixture is now assembled and ready to use. Enjoy!

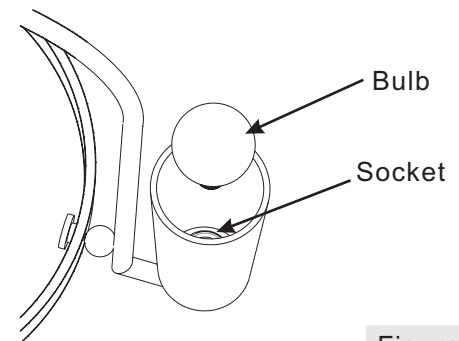


Figure 13

**Thank you for purchasing a Quoizel product.
Need assistance with parts or assembly? Call Quoizel customer service at 1-631-273-2700
or visit us on-line at www. quoizel. com**