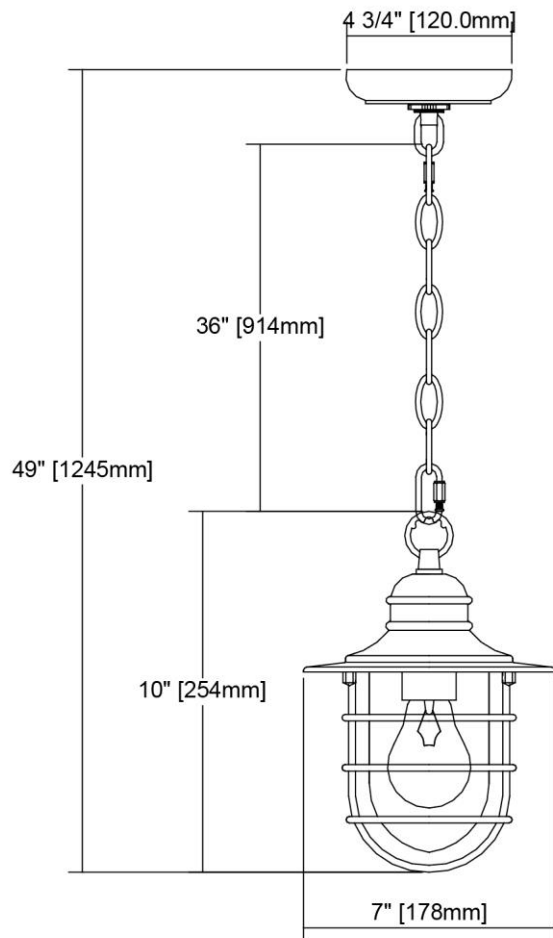
	<b>ITEM #:</b>	45223/1
	<b>UPC</b>	748119136240
	<b>Description</b>	Vandon 1-Light Hanging in Aged Zinc with Clear Glass
	<b>Finish</b>	Aged Zinc
	<b>Materials</b>	Glass, Steel
	<b>Brand</b>	ELK Lighting
	<b>Collection</b>	Vandon
	<b>Category</b>	Outdoor Lighting
	<b>Type</b>	Hanging

ITEM DIMENSIONS				RATINGS & SPECIFICATIONS				
<b>Width</b>	7 inches			<b>Safety Rating</b>	UL		<b>Certification</b>	Wet locations
<b>Depth</b>	7 inches			<b>ADA Compliant</b>	N/A		<b>Voltage</b>	120
<b>Height</b>	10 inches			<b>BULBS / SOCKETS</b>				
<b>Weight</b>	2 pounds			<b>Quantity</b>	1	<b>Wattage</b>	60 watts	
<b>ADDITIONAL DIMENSIONS</b>				<b>Included</b>	No		<b>Type</b>	A19 (E26 Medium Base)
<b>Backplate / Canopy</b>	5 diameter			<b>Other</b>	N/A			
<b>HCWO</b>	N/A			<b>CHAIN / CORD INFORMATION</b>				
<b>Min. Extension</b>	N/A			<b>Chain</b>	36 inches	<b>Cord</b>	72 inches - Black	
<b>Max. Extension</b>	N/A			<b>SHADE / GLASS DETAILS</b>				
<b>OVERALL HEIGHT</b>				<b>Shade/Glass Description</b>	Clear glass			
<b>Min.</b>	13 inches	<b>Max.</b>	49 inches					
<b>EXTENSION ROD(S)</b>				<b>Width</b>	4 inches		<b>Height</b>	5 inches
N/A				<b>Width at Top</b>	N/A		<b>Width at Bottom</b>	N/A



Rev. 5/13/2019