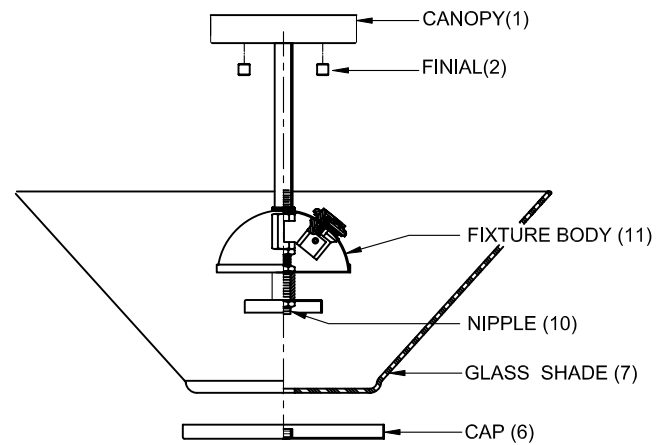
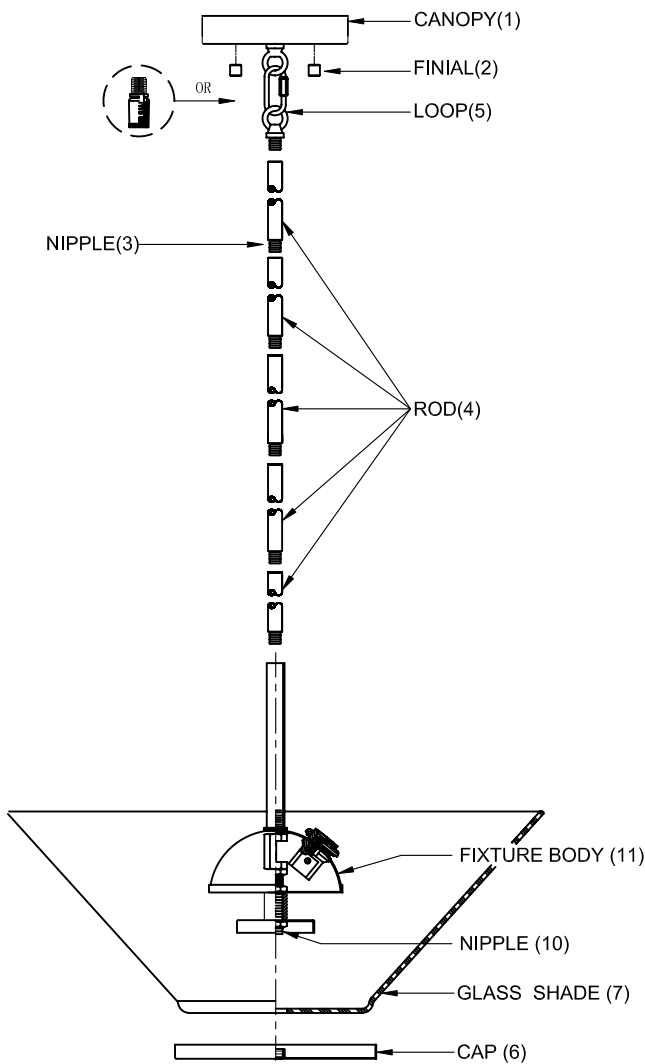


FOR MINI PENDANT
FOR Semi-Flush

ASSEMBLY INSTRUCTIONS

1. Carefully unpack and identify all parts referring to illustration for parts identification.
2. Turn the power to the installation point OFF.
3. While threading wire through, assemble the rods(4) together using the nipples(3). Attach the bottom of the rods(4) the fixture body (11). (For Pendant only)
4. Secure the loop(5) onto the top of the rods(4). (For Pendant only)
5. Attach the glass shade(7) to the nipple(10), and tighten it with the cap(6).
6. Refer to the additional installation instructions included with the product for wiring and installation.
7. Use quick link to connect loop(5) to the loop on the canopy(1) and twist the locking mechanism to secure.
8. Refer to the additional installation instructions included with the product for wiring and installation.
9. Restore power to the installation point and retain this sheet for future reference.