



CEILING FAN OWNER'S MANUAL

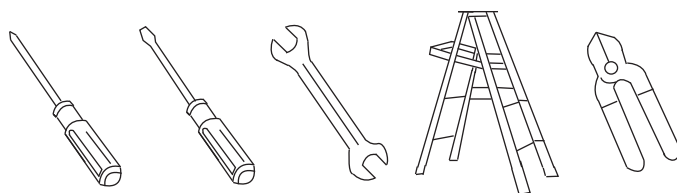
READ AND SAVE THESE INSTRUCTIONS

**MODEL: 60-820-613-13
60-820-6SV-SN**

**FAN RATING AC 120V. 60Hz
CUL LISTED MODEL : AC-568F760**

1. TOOLS AND MATERIALS REQUIRED

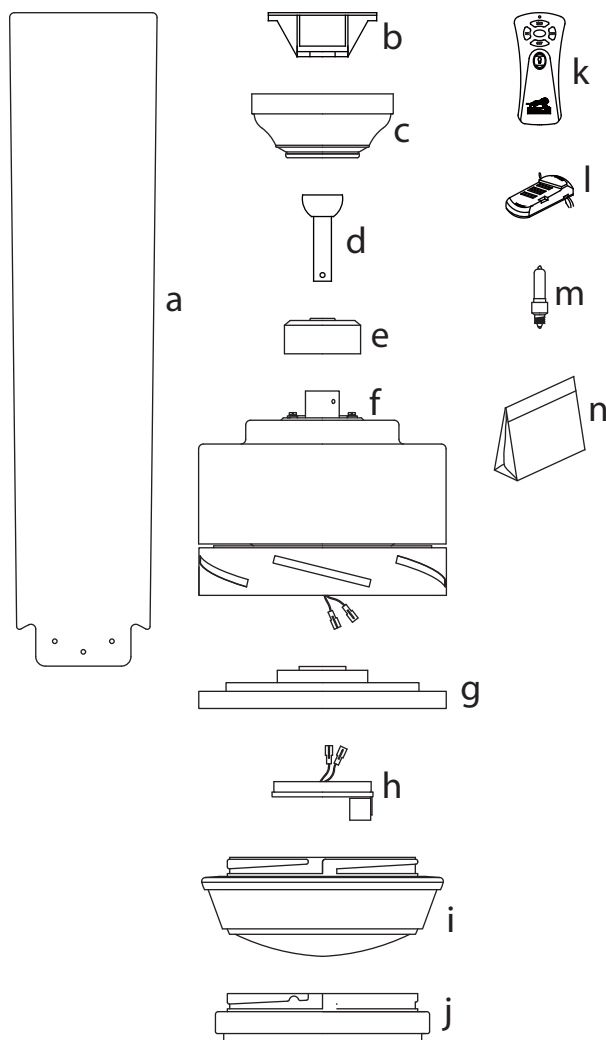
- Philips screw driver
- Blade screw driver
- 11 mm wrench
- Step ladder
- Wire cutters



2. PACKAGE CONTENTS

Unpack your fan and check the contents. You should have the following items;

- a. Set of blades assembly (6)
- b. Hanger bracket
- c. Canopy
- d. Downrod
- e. Coupling cover
- f. Fan motor assembly
- g. Mounting plate
- h. Light kit
- i. Glass shade
- j. Metal light cover
- k. Transmitter+holder+2 mounting screws
- l. Receiver+6 wire nuts
- m. 100W halogen bulb
- n. Package hardware
 - 1) Mounting hardware :
screws(2), lock washers(2), star washers(2), wire nuts(3) wood screws(2), washers(2)
 - 2) Blade attachment hardware:
screws with washers(19)
 - 3) Safety cable hardware:
wood screw(1), lock washer(1), metal washer(1)
 - 4) Balance Kit



3. SAFETY RULES

1. To reduce the risk of electric shock, insure electricity has been turned off at the circuit breaker or fuse box before beginning.
2. All wiring must be in accordance with the National Electrical Code and local electrical codes. Electrical installation should be performed by a qualified licensed electrician.
3. **WARNING:** To reduce the risk of electrical shock and fire, do not use this fan with any solid-state fan speed control device.
4. **WARNING:** To reduce the risk of personal injury, use only the two steel screws (and lock washers) provided with the outlet box for mounting to the outlet box. Most outlet boxes commonly used for the support of lighting fixtures are not acceptable for fan support and may need to be replaced, consult a qualified electrician if in doubt.
10. To avoid personal injury or damage to the fan and other items, be cautious when working around or cleaning the fan.
11. Do not use water or detergents when cleaning the fan or fan blades. A dry dust cloth or lightly dampened cloth will be suitable for most cleaning.
12. After marking electrical connections, spliced conductors should be turned upward and pushed carefully up into outlet box. The wires should be spread apart with the grounded conductor and the equipment-grounding conductor on one side of the outlet box.
13. Electrical diagrams are reference only. Light kit that are not packed with the fan must be CUL Listed and marked suitable for use with the model fan you are installing. Switches must be CUL General Use Switches. Refer to the Instructions packaged with the light kits and switches for proper assembly.

WARNING

TO REDUCE THE RISK OF FIRE, ELECTRIC SHOCK OR PERSONAL INJURY, MOUNT FAN TO OUTLET BOX MARKED "**ACCEPTABLE FOR FAN SUPPORT**".

5. The outlet box and support structure must be securely mounted and capable of reliably supporting a minimum of 50 pounds. Use only CUL Listed outlet boxes marked "**FOR FAN SUPPORT**".
6. The fan must be mounted with a minimum of 7 feet clearance from the trailing edge of the blades to the floor.
7. Do not operate reversing switch while fan blades are in motion. Fan must be turned off and blades stopped before reversing blade direction.
8. Avoid placing objects in the path of the blades.
9. **WARNING:** Use only with light kit marked "Suitable for Use in Wet Locations".

WARNING

TO REDUCE THE RISK OF PERSONAL INJURY, DO NOT BEND THE BLADE BRACKETS (ALSO REFERRED TO AS FLANGES) DURING ASSEMBLY OR AFTER INSTALLATION. DO NOT INSERT OBJECTS IN THE PATH OF THE BLADES.

ATTENTION

Under the Energy Policy Act of 2005, federal regulations require all ceiling fans with light kits manufactured or imported after January 1, 2009, to limit the total wattage consumed by the light kit to 190 watts. Therefore, this product is equipped with a 190W limiting device. If lamping exceeds 190 watts, the light kit will shut off automatically until the proper wattage of bulbs are installed. Reset the light kit by turning it off, replacing the bulbs with the correct wattage, and then turning the light kit back on.

4. OPCIONES DE INSTALACIÓN

Si no hay una caja con CUL registración de montaje existente, sírvase leer las siguientes instrucciones. Desconectar el suministro de electricidad removiendo los fusibles o desactivando los cortacircuitos.

Asegurar la caja de distribución directamente a la estructura del edificio. Usar los sujetadores y materiales de construcción apropiados. La caja de distribución y su soporte deben ser capaces de soportar completamente el peso en movimiento del ventilador (al menos 50 libras o 22.9 kgs.) No usar cajas de distribución plásticas.

Las figuras 1, 2 y 3 son ejemplos de diferentes maneras de montar la caja de distribución.

NOTA: Es posible que necesite una barra descendente más larga para mantener el espacio libre apropiado para las aspas al efectuar la instalación en un techo inclinado. (Fig. 3)

Para suspender el ventilador donde ya existe una lámpara pero no una viga en el techo, es posible que se necesite una instalación de barra de suspensión cómo se muestra en la Figura 4.

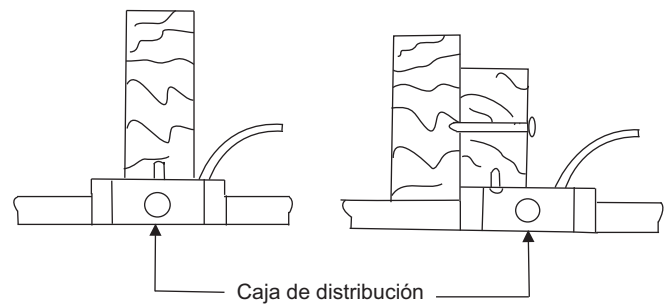


Figura 1

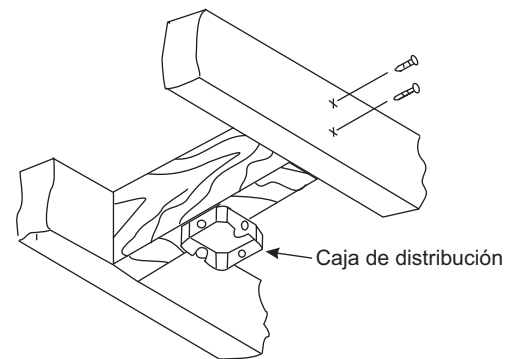


Figura 2

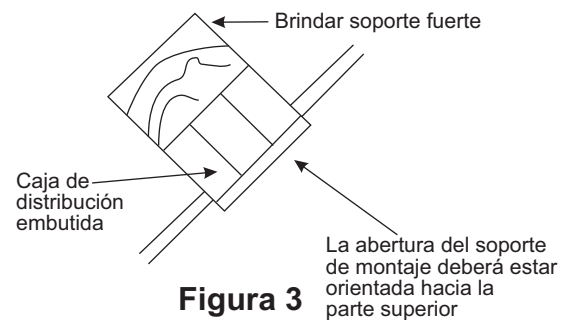


Figura 3

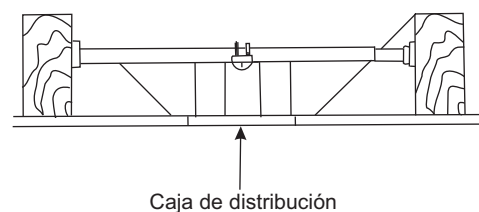


Figura 4

5. HANGING THE FAN

REMEMBER to turn off the power. Follow the steps below to hang your fan properly.

NOTE: This ceiling fan is supplied with two types of hanging assemblies; the standard ceiling installation using the downrod with ball and socket mounting and the "close-to-ceiling" installation.

The "close-to-ceiling" installation is recommended in rooms with less than 8-foot ceilings or in areas where additional space is desired from the floor to the fan blades.

STANDARD CEILING INSTALLATION

Step 1. Pass the 120-volt supply wires through the center hole in the ceiling hanger bracket as shown in Fig. 5.

Step 2. Secure the hanger bracket to the ceiling outlet box with the screws and washers provided with your outlet box.

Step 3. Remove the hitch pin, lock pin and set screws from the top of the motor assembly.

Step 4. Route wires exiting from the top of the fan motor through the coupling cover, canopy and then through the ball/downrod. (Fig. 6)

Step 5. Align the holes at the bottom of the downrod with the holes in the collar on top of the motor housing (Fig.6). Carefully insert the hitch pin through the holes in the collar and downrod. Be careful not to jam the pin against the wiring inside the downrod. Insert the locking pin through the hole near the end of the hitch pin until it snaps into its locked position, as noted in the circle inset of Fig. 6.

Step 6. Tighten two set screws on top of the fan motor firmly. (Fig. 6)

Step 7. Place the downrod ball into the hanger bracket socket. (Fig. 7)

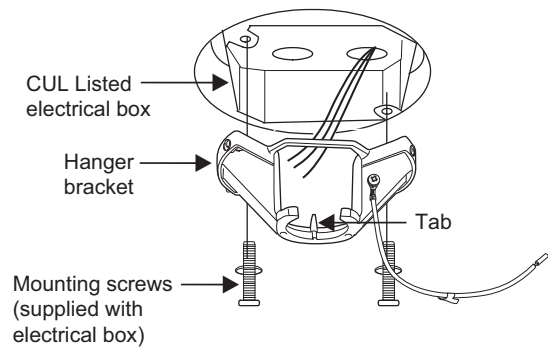


Figure 5

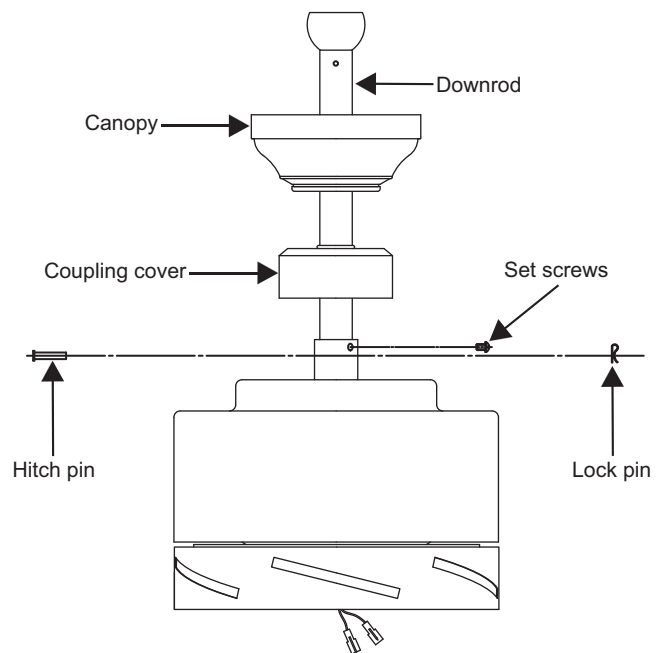


Figure 6

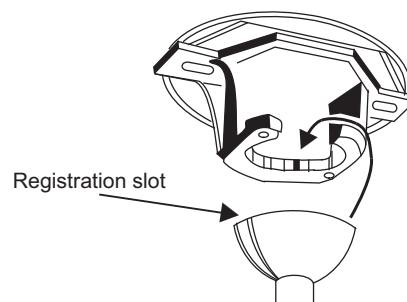


Figure 7

CLOSE-TO-CEILING INSTALLATION

1. Pass the 120-volt supply wires through the center hole in the ceiling hanger bracket as shown in Fig. 5.
2. Remove the decorative canopy cover from the canopy. (Fig. 8)
3. Secure the hanger bracket to the ceiling outlet box with the screws and washers provided with your outlet box.
4. Remove three of the six screws and lock washers (every other one) from the collar of top motor. (Fig. 9)
5. Place the ceiling canopy over the collar at the top of the motor. Align the mounting holes with the holes in the motor and fasten using the screws and lock washers provided. (Fig. 9)
6. Tighten the mounting screws securely.

WARNING: Failure to completely tighten the three screws in step 5 could result in fan loosening and possibly falling.

7. Hang the fan on the hook of the hanger bracket. Be certain that the canopy is fully locked into hook as shown in Fig. 10. This will allow you to make the electrical connections.

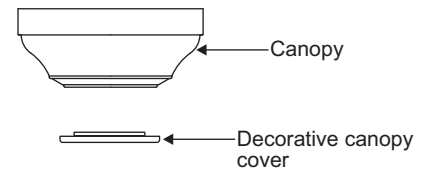


Figure 8

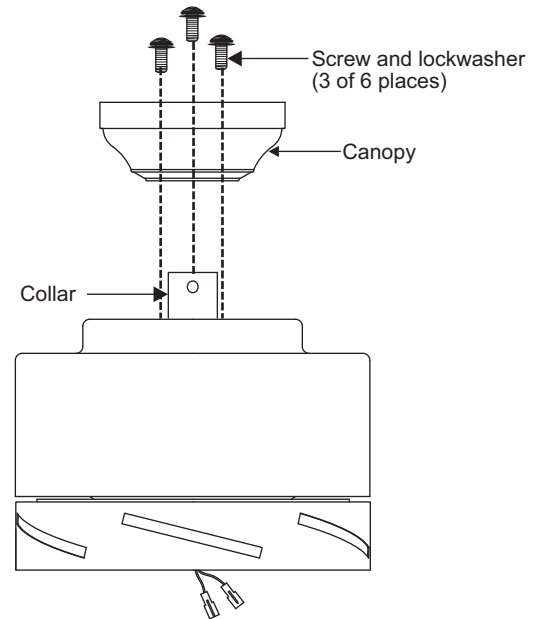


Figure 9

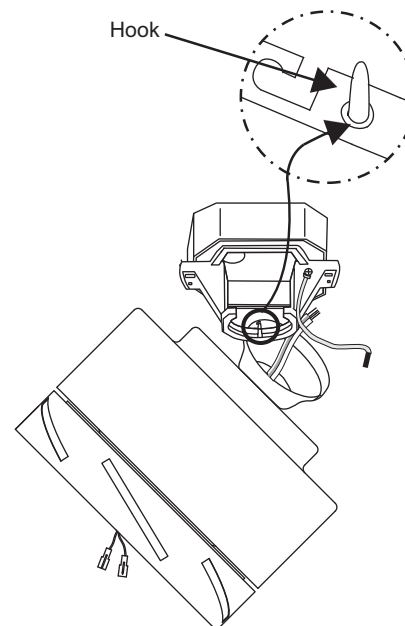


Figure 10

6. INSTALLATION OF SAFETY SUPPORT

An additional safety support is provided to prevent the fan from falling. Secure the safety cable to the ceiling joist with screw and washer, as illustrated in Figure 11.

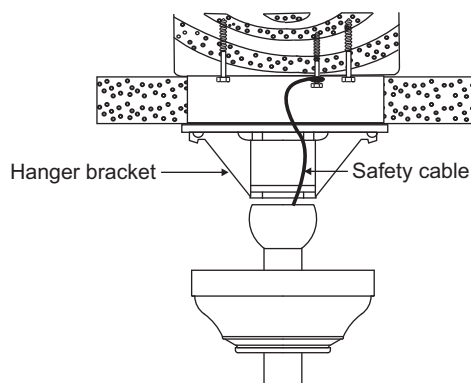


Figure 11

7. MAKE THE ELECTRIC CONNECTIONS

WARNING: To avoid possible electrical shock, be sure electricity is turned off at the main fuse box before wiring.

NOTE: This remote control unit is equipped with 16 code combinations to prevent possible interference from or to other remote units. The frequency switches on your receiver and transmitter have been preset at the factory. Please recheck to make sure the switches on transmitter and receiver are set to the same position, any combination of settings will operate the fan as long as the transmitter and receiver are set to the same position. (Figure 12)

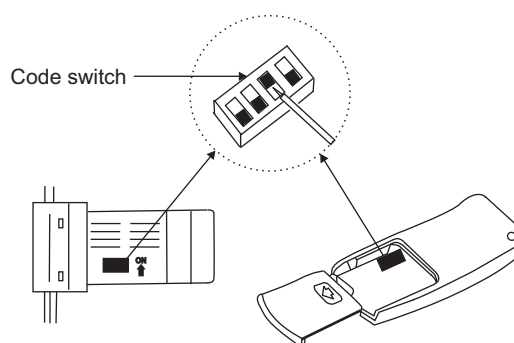


Figure 12

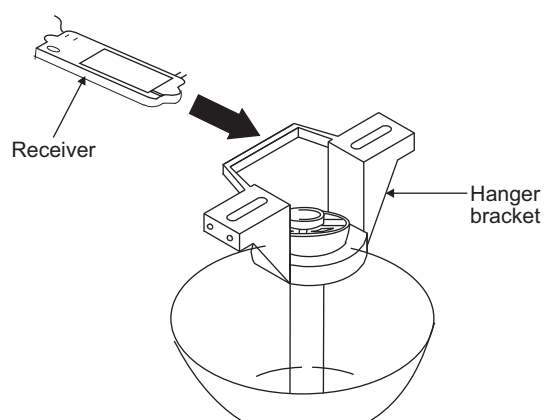


Figure 13

Step 1. (Figure 13) Insert the receiver into the mounting bracket with the flat side of the receiver facing the ceiling.

Step 2. (Figure 14) Motor to Receiver Electrical Connections: Connect the black wire from the fan to black wire marked "TO MOTOR L". Connect the white wire from the fan to the white wire marked "TO MOTOR N" from the receiver. Connect the blue wire from the fan to the blue wire marked "For Light" from the receiver. Secure the wire connections with the plastic wire nuts provided.

Step 3. (Figure 14) Receiver to House Supply Wires Electrical Connections: Connect the black (hot) wire from the ceiling to the black wire marked "AC in L" from the receiver. Connect the white (neutral) wire from the ceiling to the white wire marked "AC in N" from the Receiver. Secure the wire connections with the plastic wire nuts provided.

Step 4. (Figure 14) If your outlet box has a ground wire (green or bare copper) connect it to the fan ground wires; otherwise connect the hanging bracket ground wire to the mounting bracket. Secure the wire connection with a plastic nut provided. After connecting the wires, spread them apart so that the green and white wires are on one side of the outlet box and black and blue wires are on the other side. Carefully tuck the wire connections up into the outlet box.

Note: Fan must be installed at a maximum distance of 30 feet from the transmitting unit for proper signal transmission between the transmitting unit and the fan's receiving unit.

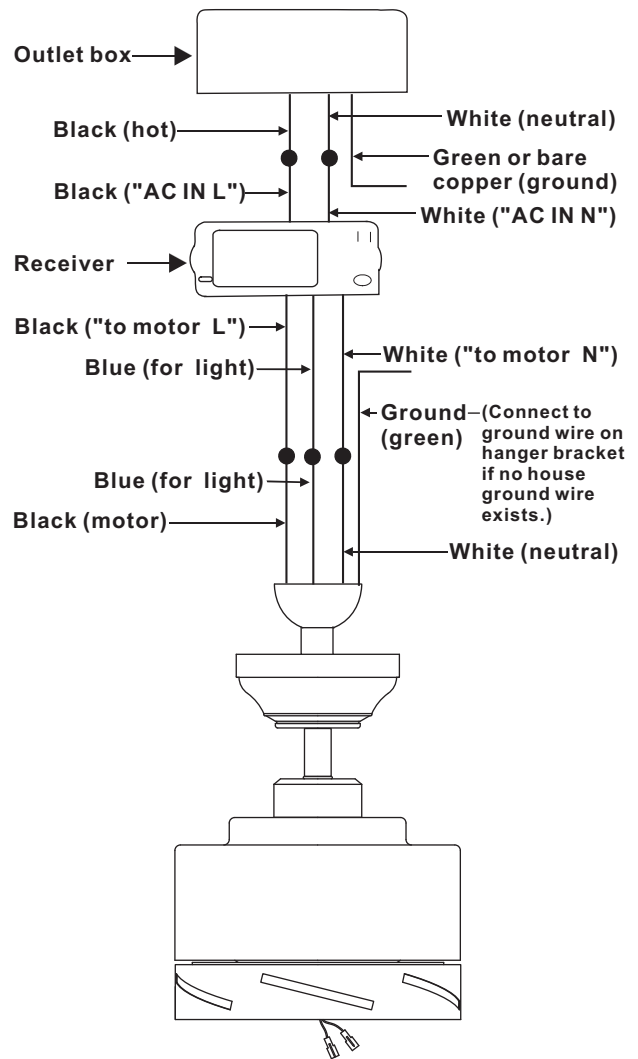


Figure 14

8. FINISHING THE INSTALLATION

STANDARD CEILING INSTALLATION

Slide canopy up to the ceiling as shown in Figure 15. Make sure you place the wires safely into the outlet box. Secure the canopy to the hanger bracket with the four screws with your fan.

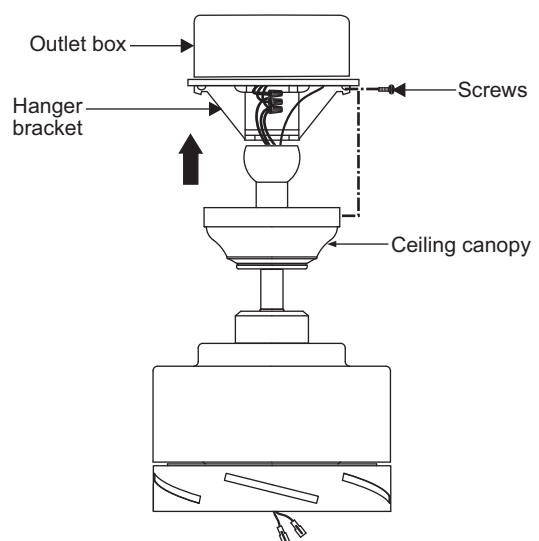


Figure 15

CLOSE-TO-CEILING INSTALLATION

Remove the fan from the hook on the hanger bracket. Secure the canopy to the hanger bracket as shown in Figure 16 with four screws included with your fan.

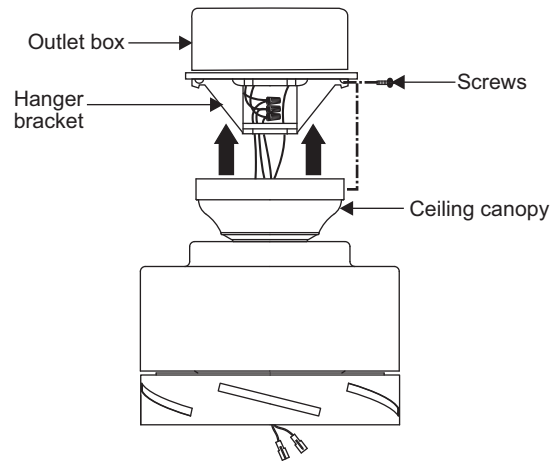


Figure 16

9. ATTACHING THE FAN BLADES

Insert the blades through the blade slot in the decorative housing. Align the holes in blade and blade bracket, secure with the screws and washers provided. (Fig. 17)

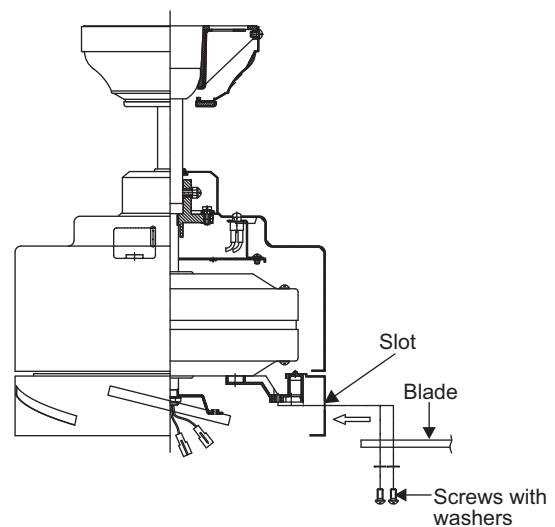


Figure 17

10. INSTALLING THE MOUNTING PLATE

1. Remove the 1 of 3 screws from the mounting ring and loosen the other 2 screws. (Do not remove)

2. Place the key holes on the light kit over the 2 screws previously loosened from the mounting ring, turn mounting plate until it locks in place at the narrow section of the key holes. Secure by tightening the 2 screws previously loosened and the one previously removed. (Fig. 18)

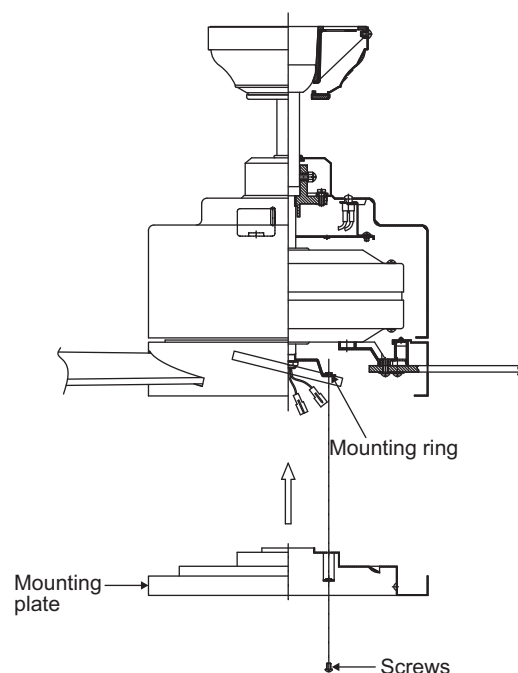


Figure 18

11. INSTALLING THE LIGHT KIT

NOTE: Before starting installation, disconnect the power by turning off the circuit breaker or removing the fuse at fuse box. Turning power off using the fan switch is not sufficient to prevent electric shock.

Step 1. Remove the 1 of 3 screws from the mounting plate and keep it for future use. Loosen the other 2 screws (Do not remove).

Step 2. Raise and hold the light kit close to the mounting plate and proceed to do the wire connections. Connect the white wire connectors from the light kit and fan, follow the same procedure with the black wire connectors. (Fig. 19)

Step 3. Tuck connections neatly into mounting plate, Place the light plate key holes over the 2 screws previously loosened from the mounting ring, turn light kit until it locks in place at the narrow section of the key holes. secure by tightening the 2 screws previously loosened and the one previously removed. (Fig. 19)

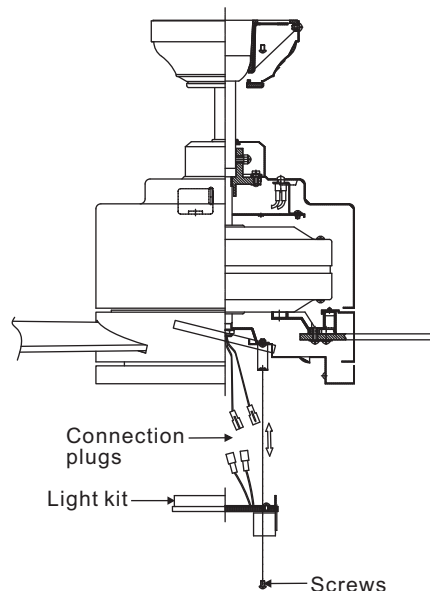


Figure 19

12. INSTALLING THE LIGHT BULB & GLASS SHADE

1. Install 1 x 100W (MAX.) halogen bulb (included).

2. Raise glass shade up against the mounting plate and secure it to fan by turning glass clockwise until snug. **Do not overtighten.** (Fig. 20) **WARNING:** The metal light cover included with your fan is an option to replace the glass for the light in the event that you prefer not to use the light feature of your fan. The metal light cover is not necessary for the light operation; it can be saved for later use if desired.

3. Restore power and your light kit is ready for operation.

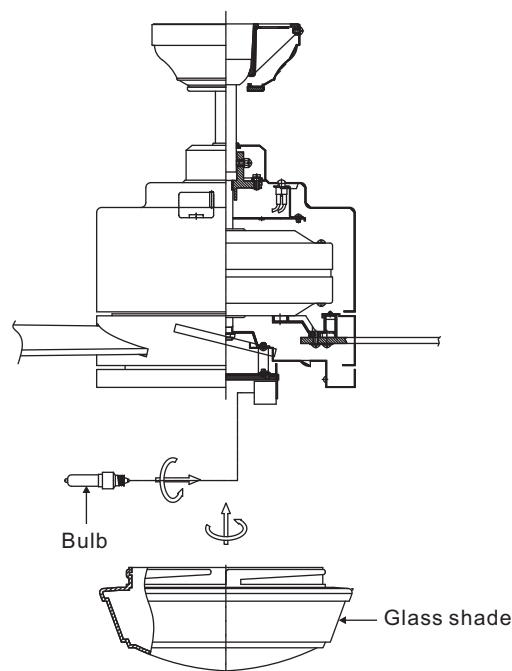


Figure 20

13. INSTALLING THE BATTERY

Install 9 volt battery (included), to prevent damage to transmitter, remove the battery if not used for long periods. (Fig. 21)

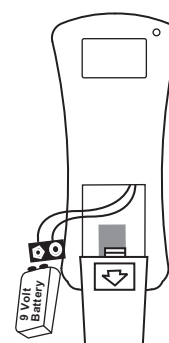



Figure 21

14. OPERATING INSTRUCTIONS

Restore power to ceiling fan and test for proper operation.

- A. **HI, MED,** and **LOW** buttons:
These three buttons are used to set the fan speed as follows:
HI= high speed
Med= medium speed
Low= low speed

- B. **OFF** button:
This button turns the fan off.

- C.  button:
This button controls the light. Press and release the button to turn the light ON or OFF. Press and hold the button to set the desired brightness. The light key has an auto-resume, it will stay at the same brightness as the last time it was turned off.

The Reverse switch is located on the top of the motor housing. Slide the switch to the Left for warm weather operation. Slide the switch to the Right for cool weather operation.

Speed settings for warm or cool weather depend on factors such as the room size. Ceiling height, number of fans and so on.

NOTE: Wait for fan to stop before changing the setting of the slide switch.

Warm weather - (Forward) A downward airflow creates a cooling effect as shown in Fig. 23. This allows you to set your air conditioner on a warmer setting without affecting your comfort.

Cool weather - (Reverse) An upward airflow moves warm air off the ceiling area as shown in Fig. 24. This allows you to set your heating unit on a cooler setting without affecting your comfort.

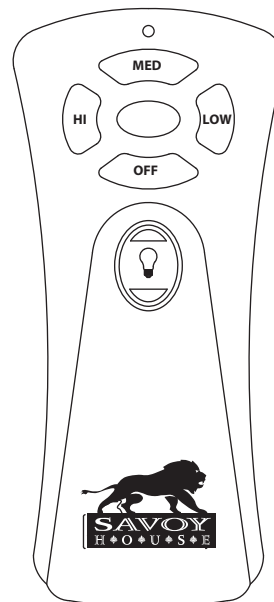


Figure 22

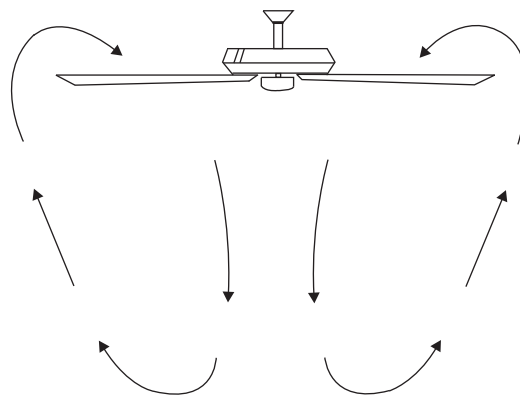


Figure 23

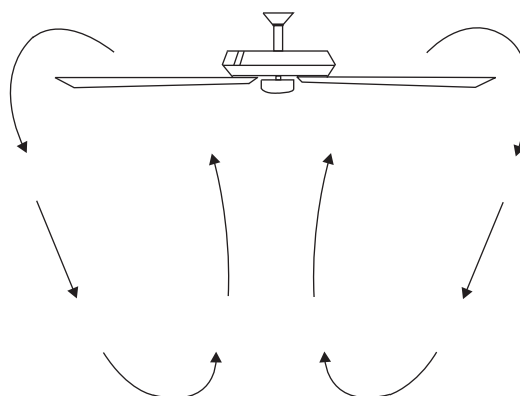


Figure 24

15. TROUBLESHOOTING

Problem	Solution
Fan will not start.	<ol style="list-style-type: none">1. Check circuit fuses or breakers.2. Check line wire connections to the fan and switch wire connections in the switch housing. CAUTION: Make sure main power is off.3. Check to make sure the dip switches from the transmitter and receiver are set to the same frequency.
Fan sounds noisy.	<ol style="list-style-type: none">1. Make sure all motor housing screws are snug.2. Make sure the screws that attach the fan blade bracket to the motor hub is tight.3. Make sure wire nut connections are not rubbing against each other or the interior wall of the switch housing. CAUTION: Make sure main power is off.4. Allow a 24-hour "breaking-in" period. Most noise associated with a new fan disappear during this time.5. If using an optional light kit, make sure the screws securing the glassware are tight. Check that light bulb is also secure.6. Do not connect the fan with wall mounted variable speed control (s)7. Make sure the upper canopy is a short distance from the ceiling. It should not touch the ceiling.
Lights shut off and will not come back on.	<ol style="list-style-type: none">1. This unit is equipped with a wattage limiting device. Lamping in excess of 190 watts will disable your ceiling fan's light kit. To reset your light kit you must turn the power off and re lamp, keeping the wattage under 190 watts. Restore power to your ceiling fan and continue normal operation.
Remote control malfunction:	<ol style="list-style-type: none">1. Do not connect the fan with wall mounted variable speed control (s)2. Make sure the dip switches are set correctly.