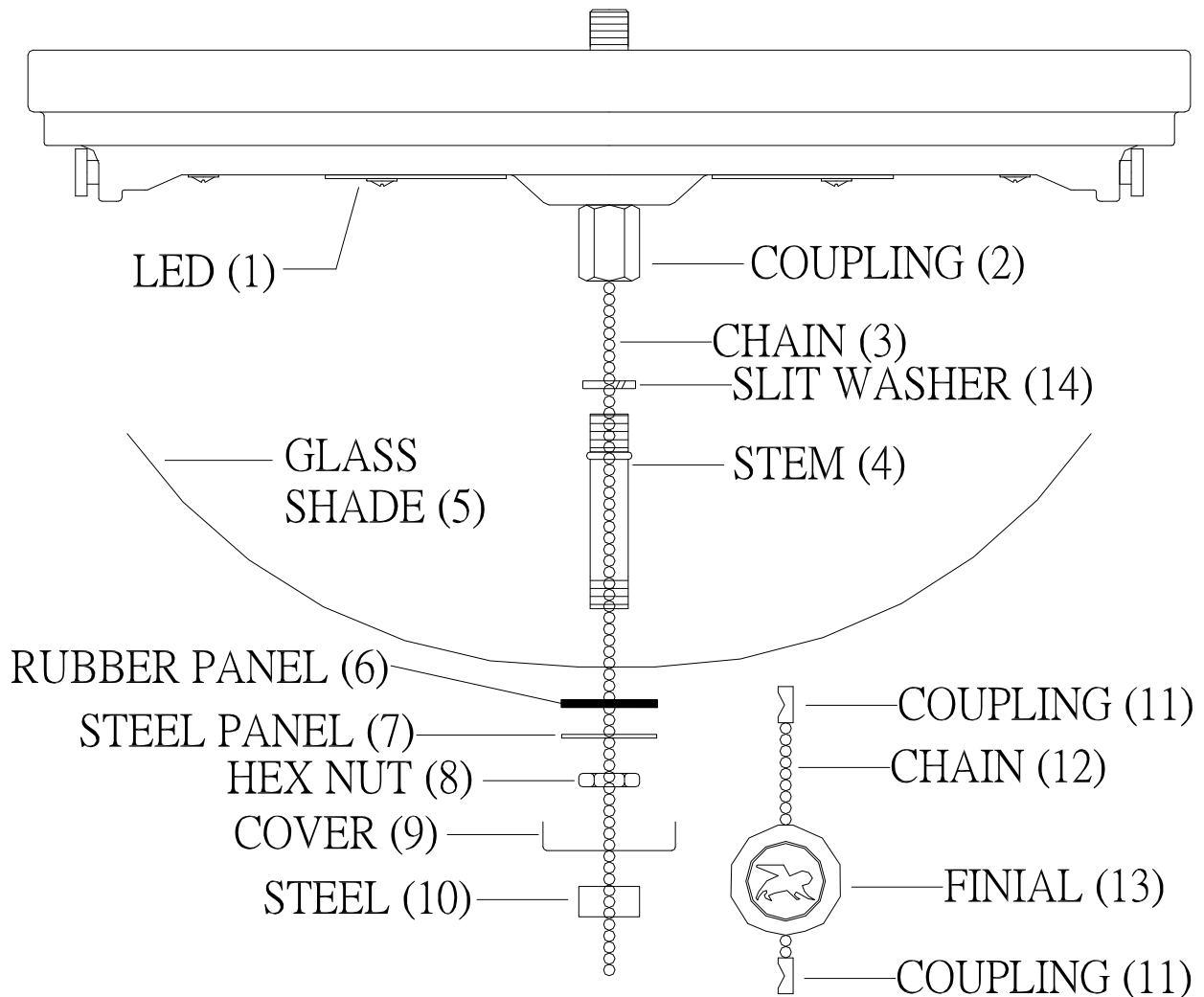




LIGHTING

ITEM NO:

FLG-106-13/109/SN/45/187/129



INSTALLATION INSTRUCTIONS

1. Carefully remove the fixture out of the carton, and check that all parts are included referring to the above illustration. Make sure not to misplace any parts that are needed for the installation;
2. Install the chain (3) through the slit washer (14), stem (4), glass shade (5), rubber panel (6), steel panel (7), hex nut (8), cover (9) and steel (10).
3. Install the slit washer (14) and stem (4) into coupling (2), then secure them with stem (4).
4. Install the glass shade (5), rubber panel (6) and steel panel (7) onto stem (4), then secure them with hex nut (8).
5. Install the cover (9) onto stem (4), then secure them with steel (10).
6. Install the coupling (11) onto chain (3), then install the chain (12) into coupling (11).
7. Install the finial (13) onto chain (12), then install the coupling (11) onto chain (12).
8. Fixture is ready for lamping and installation.