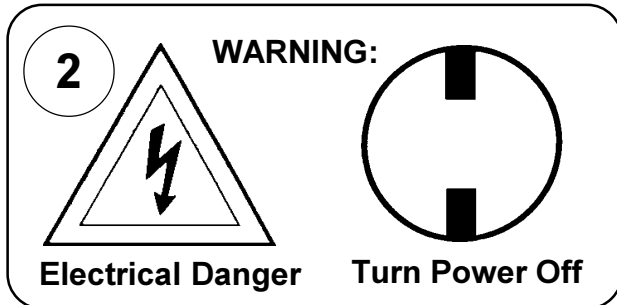
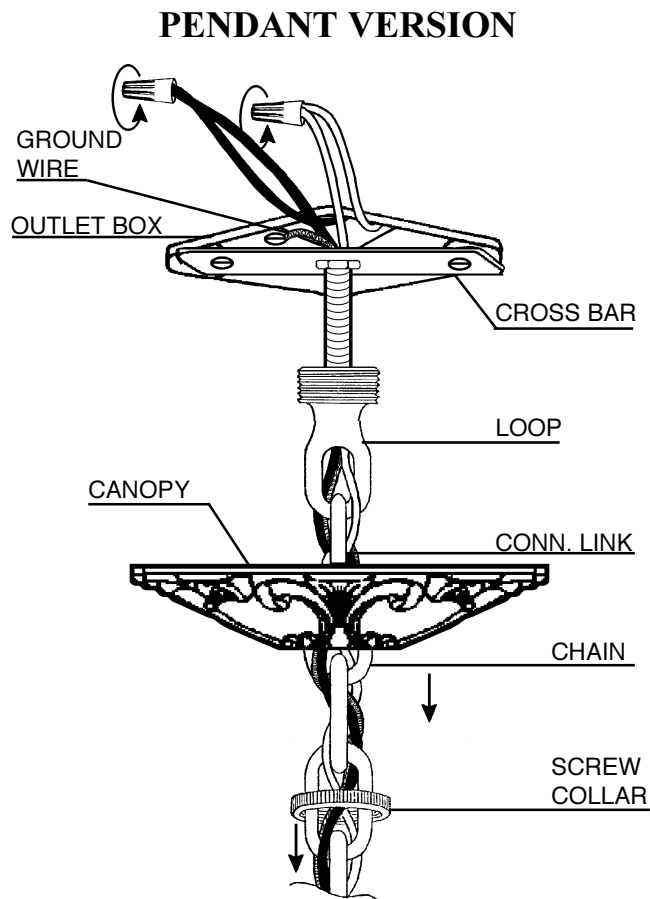


Instructions for electrician STEPS 2 - 6

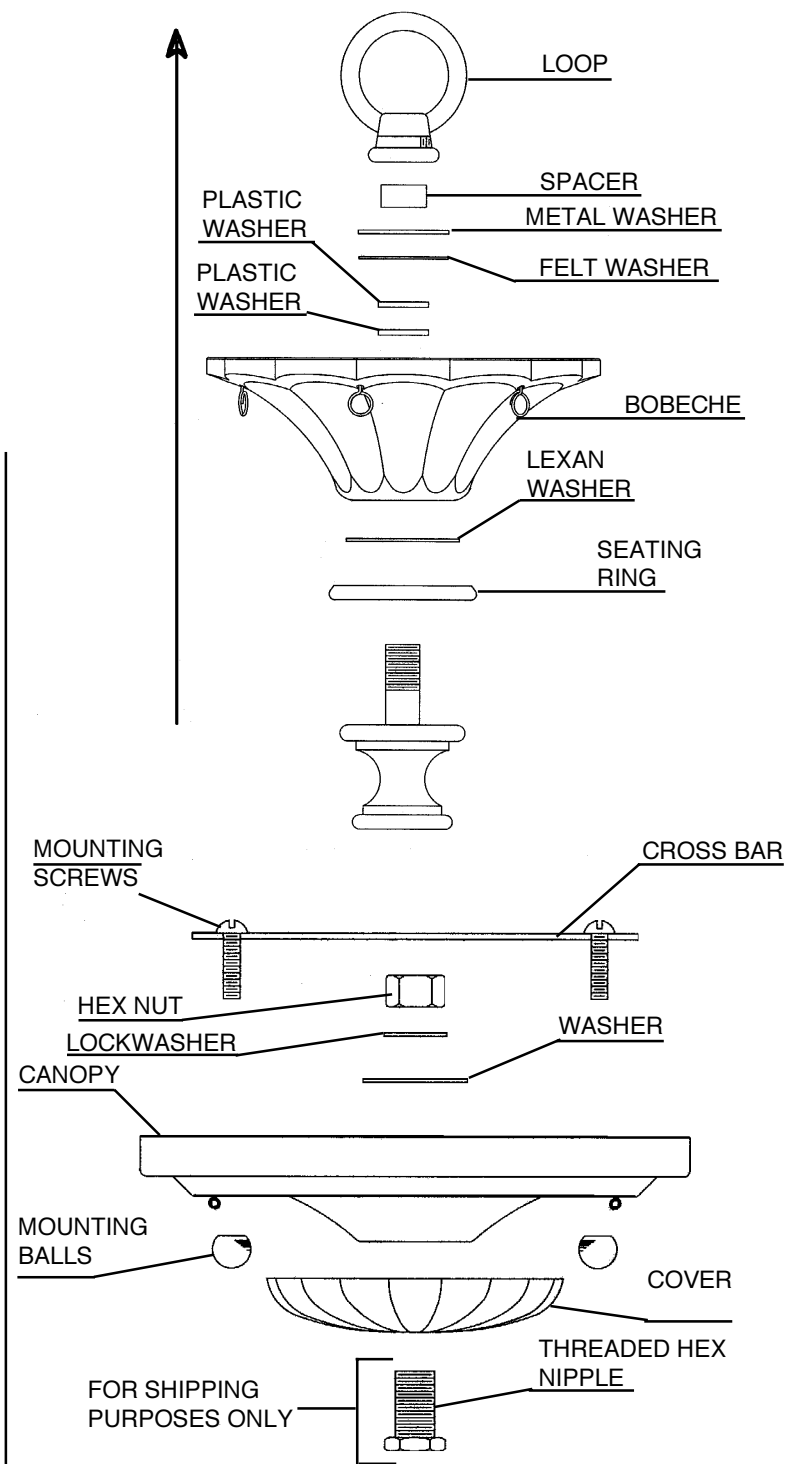


All electrical components must be installed by a licensed electrician in accordance with the National Electric Code and the appropriate local electrical codes.



- 3** Attach crossbar to outlet box.
- 4** Slip screw collar and metal canopy over chain. Determine the suspension length of the fixture and cut chain, if necessary. Use two connecting links to attach chain to chandelier loop and ceiling loop.
- 5** Insert stem wire through chain and ceiling loop. Connect wire. Fixture **MUST** be grounded. Check distance from ceiling to loop to assure canopy assembly will be flush against ceiling and tighten with lock nut. Attach canopy to ceiling with screw collar.
- 6** Screw bulb into socket. Test power to insure proper wiring before hanging trim from fixture.

CLOSE TO CEILING VERSION



- 3** Remove set screw from loop with tool provided. Remove all component parts from loop to seating ring. Remove threaded hex nipple and nut from assembled canopy. Run wires up through cover, canopy and component parts and tighten hex nut.
- 4** Attach cross bar to outlet box. Connect wire.
- 5** Attach canopy to ceiling with mounting balls, thereby retaining complete fixture against ceiling.
- 6** Screw bulb into socket. Test power to insure proper wiring before hanging trim from fixture.

CHANDELIER 5344- ___ ___ A TRIM DIAGRAM

(Finish Option)



4 Lights
Diameter: 14-1/2"
Body Length: 18"
Hanging Weight: 8 lbs.

4 Lights
Diameter: 14-1/2"
Body Length: 16-1/2"
Hanging Weight: 8 lbs.

THIS DESIGN IS THE PROPRIETARY TRADE DRESS/TRADEMARK OF SCHONBEK WORLDWIDE LIGHTING INC.

SCHONBEK®

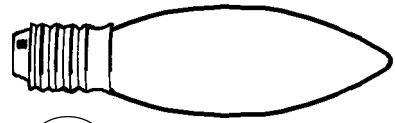
**See diagram on back page
Follow steps in exact order
Save this trim diagram for future reference**

1 IMPORTANT
Person who opens carton should record the following information for future service.

CODE #	_____	Four-digit number on outside of carton.
PACKER #	_____	See crystal package label.
ORDER #	_____	See crystal package label.

SCHONBEK IS A WORLD LEADER IN CHANDELIER DESIGN. PATENTS INCLUDE:
#D292,620, #D335,362, #D335,546, #D335,716, #D335,720, #D336,537, #D338,082, #D389,264,
#D338,278, #D339,879, #D345,815, #D373,441, #D374,102, #D374,103, #D374,498, #D382,077,
#D393,325, #D397,495, #D397,494, #D403,101, #D435,686, #D454,973, #D454,974, #D455,224,
#D456,940, #D463,602S, #D463,603S, #D464,769S, #D468,480, #2,651,806, #5,104,082, #5,109,325,
#5,116,009, #5,144,541, #5,205,644, #5,222,805, #5,241,460, #5,255,173, #5,258,900, #5,285,364,
#5,404,285, #5,460,269, #5,567,046, #5,567,468, #5,573,330, #5,577,838, #5,588,744, #5,873,652,
#5,906,430, #5,921,668 & #6,241,370B1

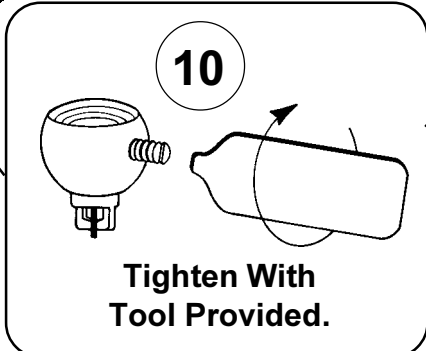
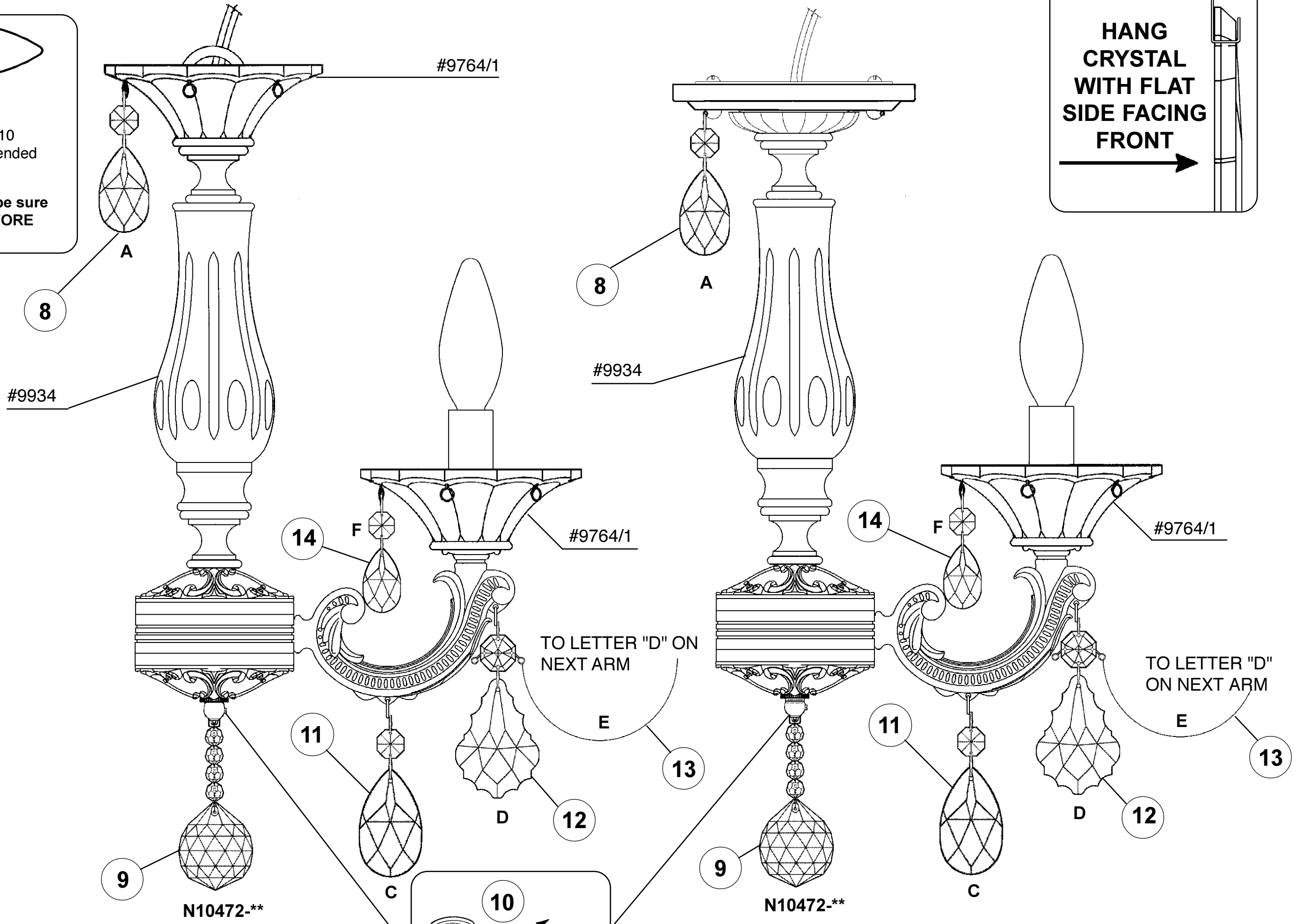
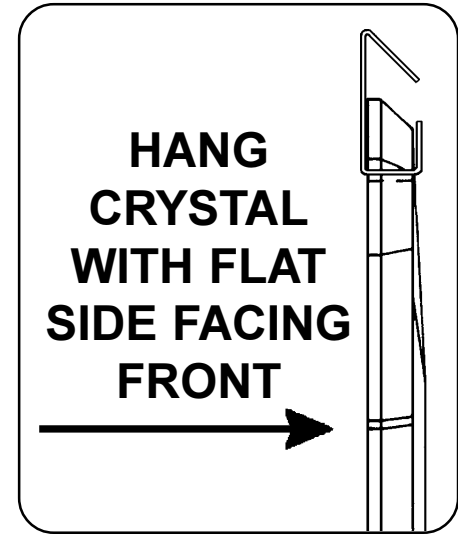
Instructions for crystal trimming
STEPS 7 - 14



7

You will need 4 - C10
25 Watts Recommended
40 Watts Max

Install bulbs and be sure
to test fixture **BEFORE**
trimming.



10

Tighten With
Tool Provided.

