

Mode Split Pathway

7000AMNMD_ 1.0



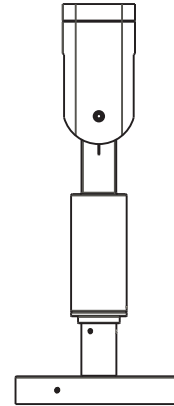
GENERAL PRODUCT INFORMATION:



This product is suitable for wet locations.

12VAC input only.

If using Tech Lighting magnetic transformers, this product be dimmed with a low-voltage magnetic dimmer. For all other transformers, consult with the manufacturer for compatible dimmers.



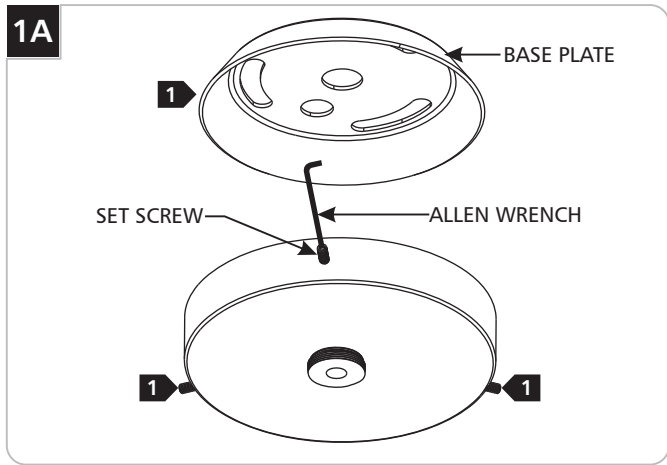
CAUTION - RISK OF FIRE
 This product must be installed in accordance with the applicable installation code by a person familiar with the construction and operation of the product and the hazards involved.
 Use minimum 90°C supply conductors.

WARNING – Risk of Electric Shock. Install all luminaires 10 feet (3.05 m) or more from a pool, spa, or fountain.

Unit low voltage cable is to:

- be protected by routing in close proximity to the luminaire or fitting, or next to a building structure such as a house or deck;
- not be buried except for a maximum 6 inches (15.2 cm) in order to connect to the main low voltage cable; and
- have the length cut off so that it is connected to a connector within 6 inches (15.2 cm) from a building structure, a luminaire, or fitting.

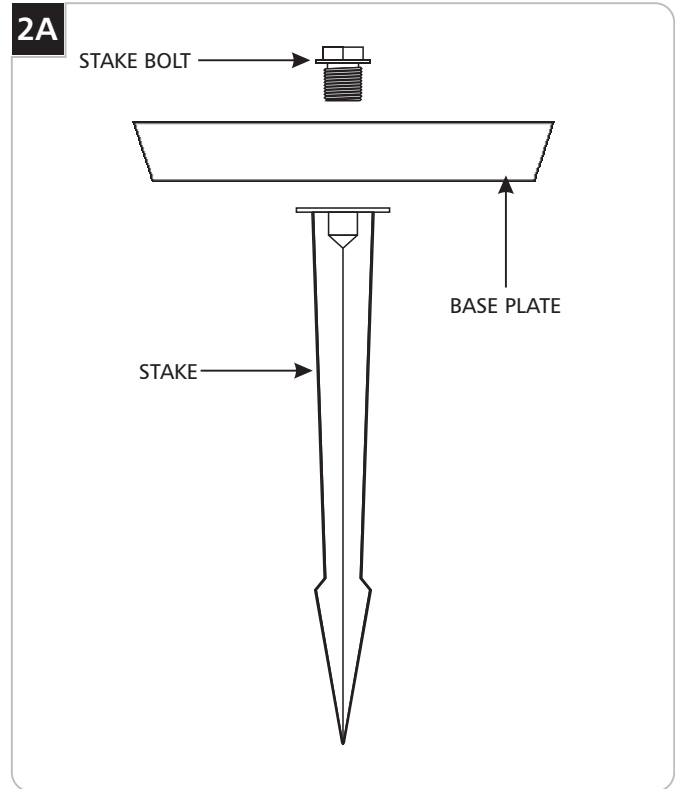
Prepare the Fixture



1 Loosen (**Do Not Remove**) the three set screws on fixture base with the provided Allen wrench and remove the base plate.

INSTALLATION OPTIONS:
For Stake Install - see section 2
For Concrete and other Hard Surfaces - see section 3

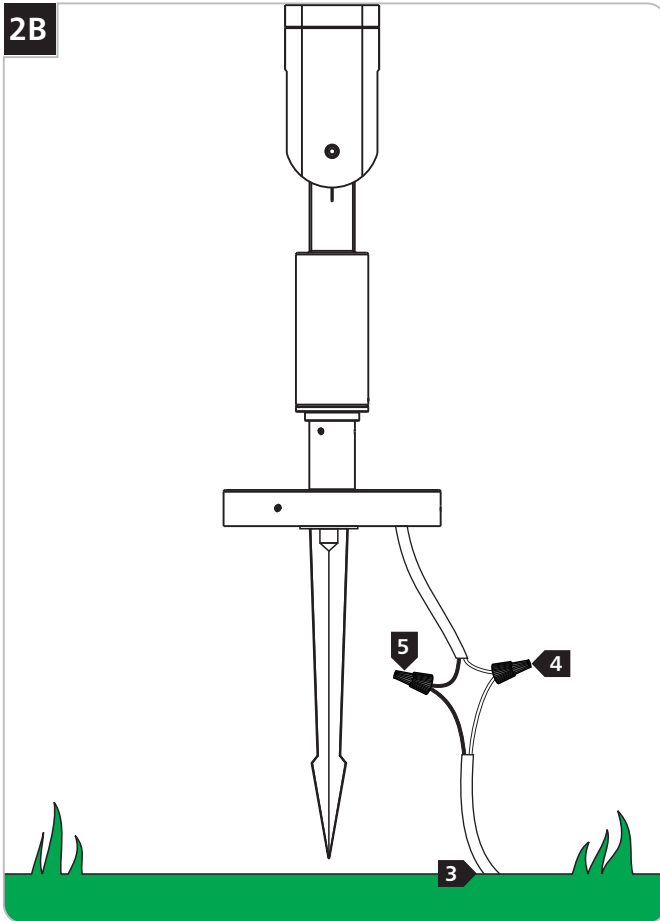
Install the Fixture using a Stake



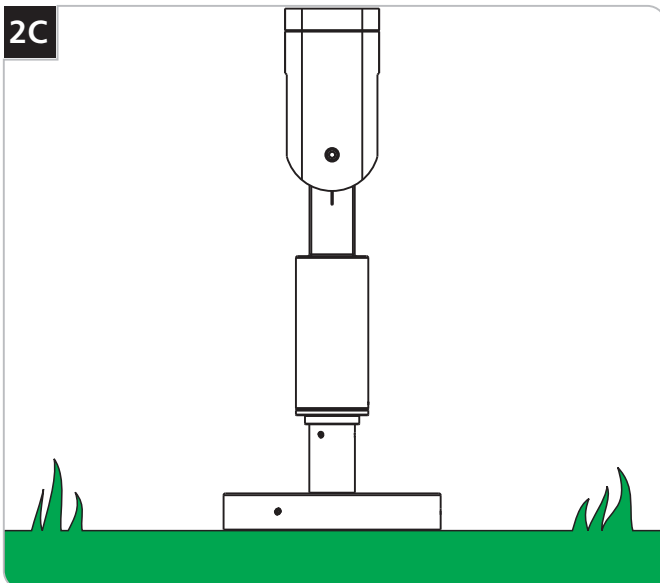
1 Attach the stake to the base plate by tightly screwing down the provided stake bolt through the center hole of the base plate and the stake.

2 Reattach the base plate assembly to fixture and tighten down the set screws (reversal of Section 1A).

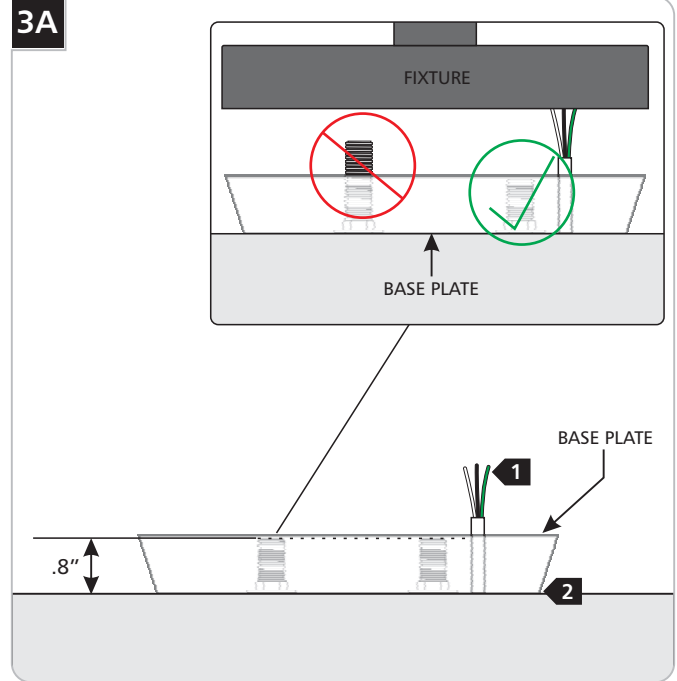
Install the Fixture to Concrete (or other hard surfaces)



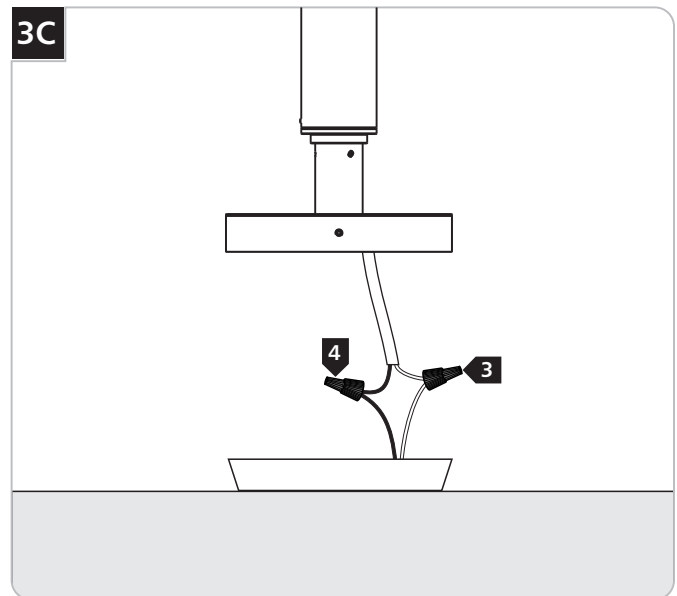
- 3 Bring the power wires to the fixture location in accordance with local electrical codes.
- 4 Connect the white fixture wire to one of the low-voltage power line wires with the provided outdoor waterproof wire nut.
- 5 Connect the black fixture wire to the remaining low-voltage power line with the provided outdoor waterproof wire nut.



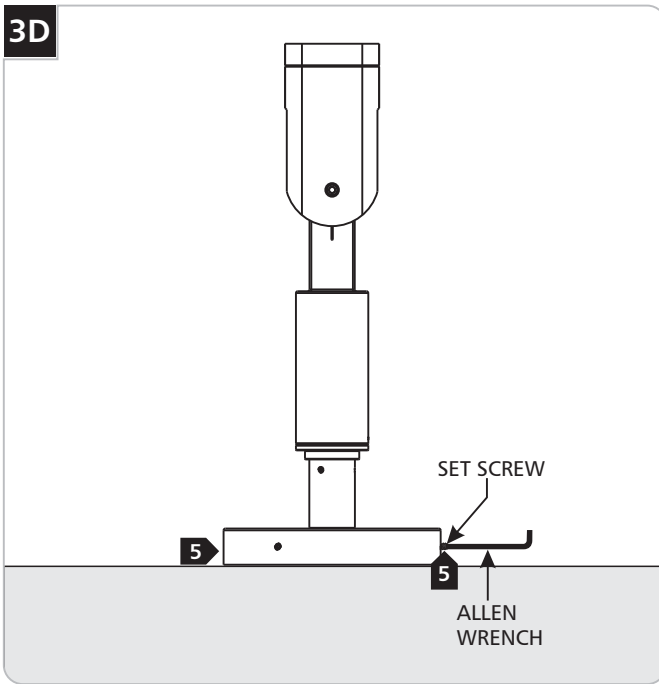
- 6 Stake the fixture to the desired location and properly bury the wire and wire nut connections.



- 1 Bring the power wires to the fixture location in accordance with local electrical codes.
- 2 Mount the base plate to an even and smooth surface using the template provided on last page. Ensure that length of the lag bolts or anchor bolts do not exceed .8" from the mounting surface in order to leave enough clearance for the fixture to fit properly over the base plate.

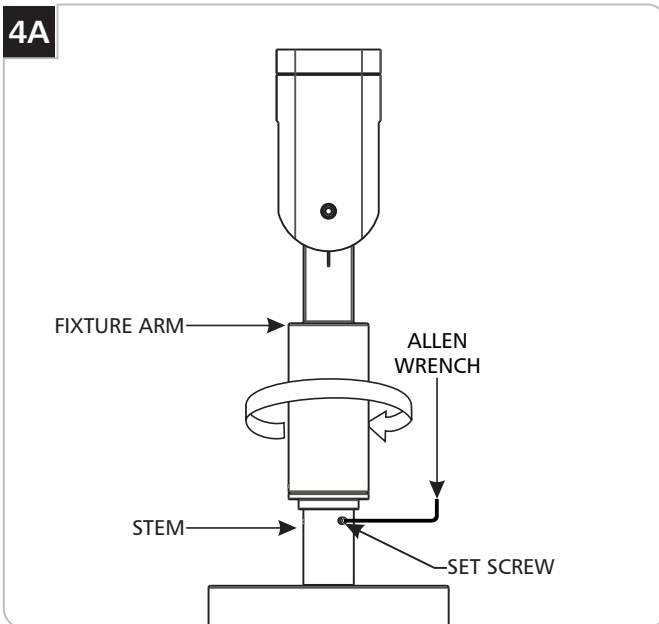


- 3 Connect the white driver wire to one of the low-voltage power line wire with a wire nut.
- 4 Connect the black fixture wire to the remaining low-voltage power line with a wire nut.

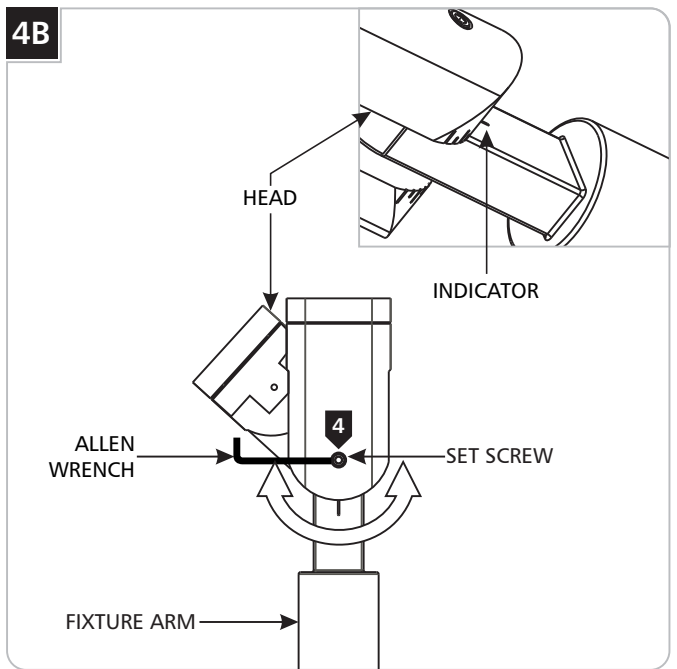
3D

- 5** Carefully place the power line/cord inside the fixture, install the fixture onto the base plate, and secure it in place by tightening down the set screws.

Adjust the Fixture

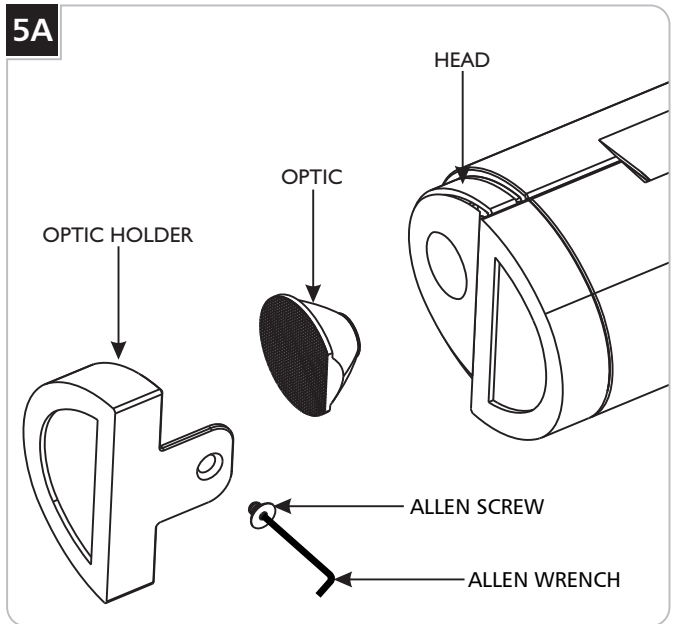
4A

- 1** Loosen (do not remove) the three set screws on the stem using the provided Allen Wrench.
- 2** Rotate the fixture arm to the desired direction and secure in place by re-tightening the set screws.

4B

- 3** Loosen (do not remove) the set screw on the fixture arm using the provided Allen Wrench.
- 4** Aim the head to the desired direction and secure in place by re-tightening the set screw. **Note:** Tick marks are in intervals of 10°. Both heads can move independently.

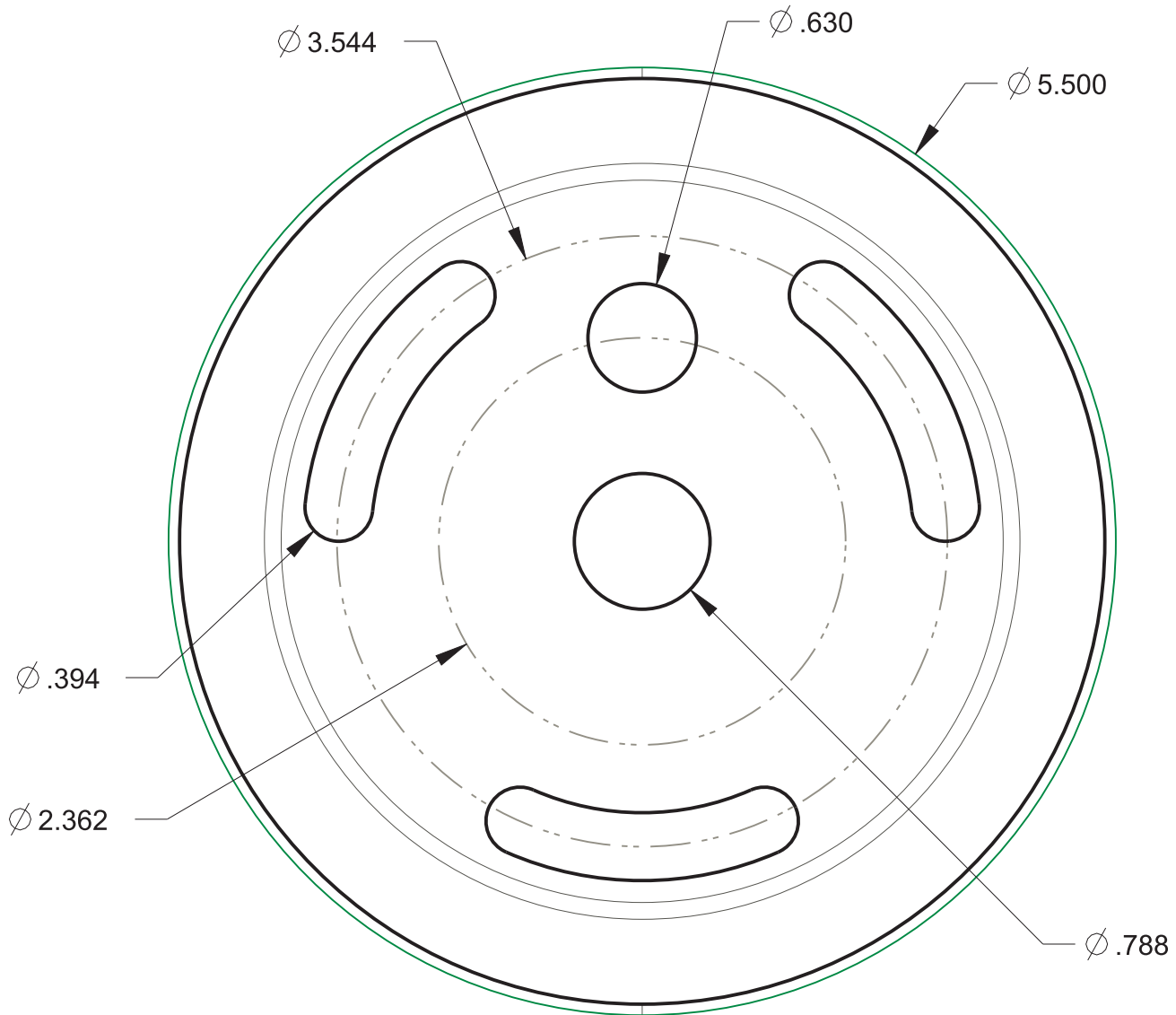
Install or Replace Optics

5A

- 1** Remove the optic holder by unscrewing the Allen screw using the provided Allen wrench.
- 2** Remove old optic and replace with new one.
- 3** Reinstall the optic holder.

MOUNTING PLATE TEMPLATE

WARNING: If printing this template, ensure printer settings are set to actual size.



SAVE THESE INSTRUCTIONS!



TECH LIGHTING®

7400 Linder Ave, Skokie, IL 60077

847.410.4400

www.techlighting.com

© 2017 Tech Lighting, L.L.C. All rights reserved. The "Tech Lighting" graphic is a registered trademark of Tech Lighting, L.L.C. Tech Lighting reserves the right to change specifications for product improvements without notification.

A Generation Brands Company