

# Mode Single and Dual Head Ceiling or Wall

7000WMDE\_

1.0



## GENERAL PRODUCT INFORMATION:

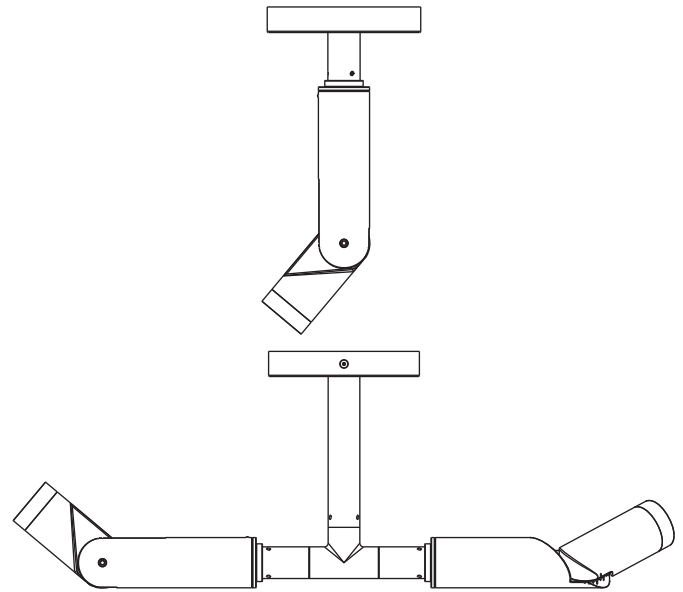
These fixtures are intended to be installed utilizing NEC compliant junction boxes.



This product may be dimmed with a low-voltage electronic dimmer or a 0-10V dimmer depending on the wiring configuration.

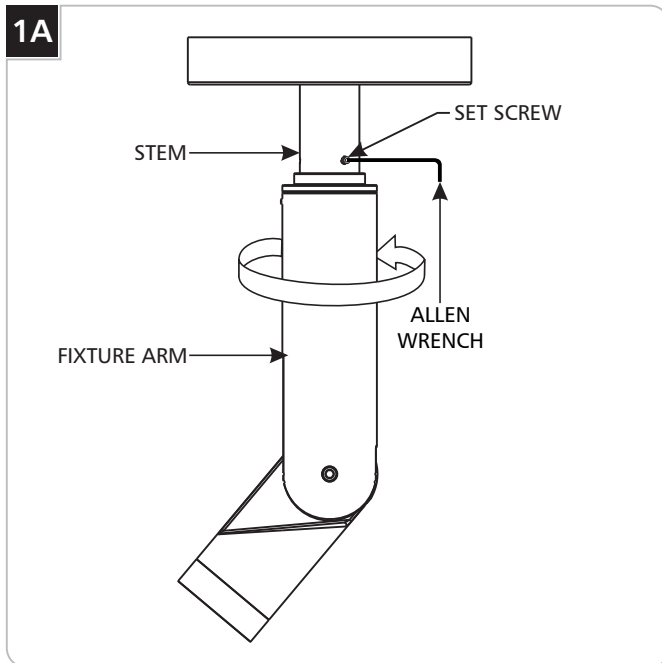
Suitable for wet locations.

These fixture may be ceiling or wall mounted.

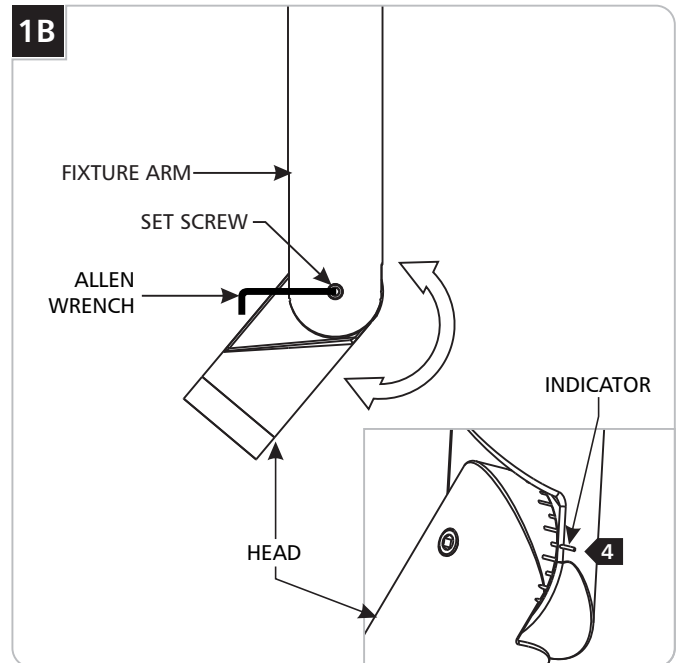


**CAUTION - RISK OF FIRE**  
 This product must be installed in accordance with the applicable installation code by a person familiar with the construction and operation of the product and the hazards involved.  
 Use minimum 90°C supply conductors.

## Adjust the Fixture

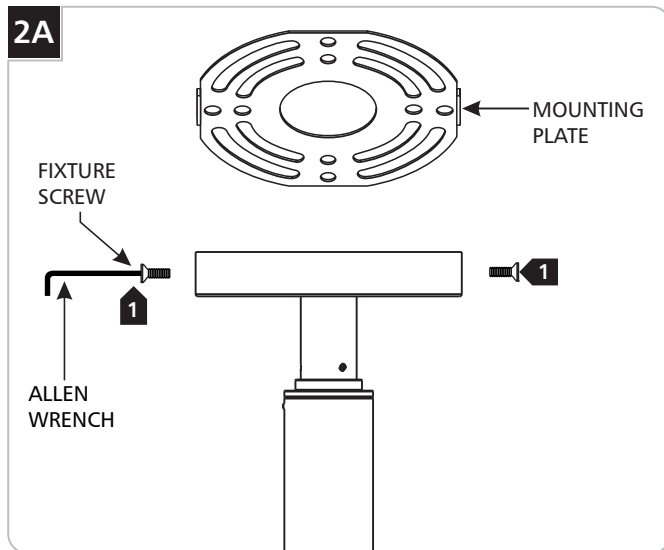


- 1** Loosen (do not remove) the three set screws on the stem using the provided Allen Wrench.
- 2** Rotate the fixture arm to the desired direction and secure in place by re-tightening the set screws.



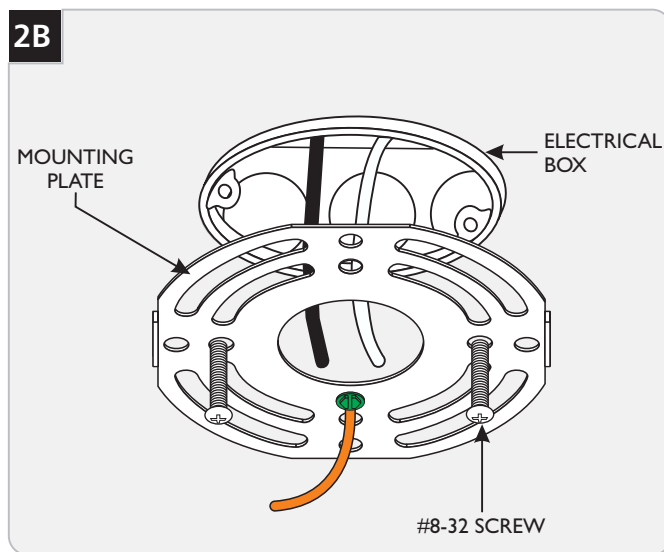
- 3** Loosen (do not remove) the set screw on the fixture arm using the provided Allen Wrench.
- 4** Aim the head to the desired direction and secure in place by re-tightening the set screw. **Note:** Tick marks are in intervals of 10°. Indicator is positioned to 40° in the image above.

## Install the Fixture

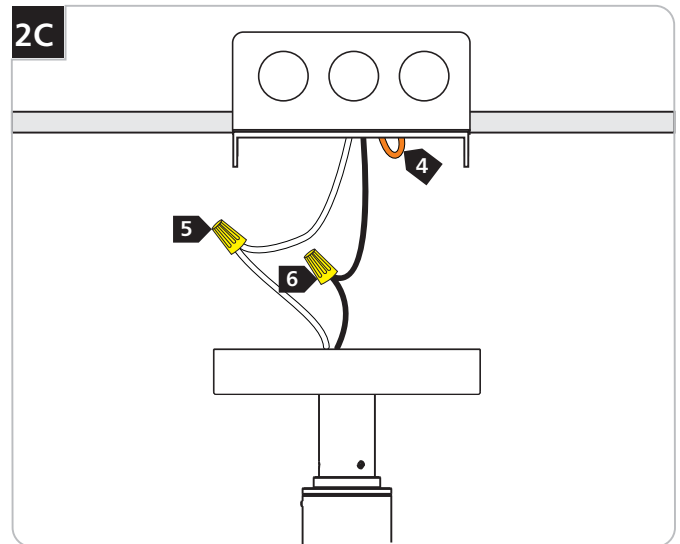


**Note:** When wall mounting the fixture, to prevent sagging, position the mounting plate so the fixture screws align vertically

- 1 Remove the canopy screws using the provided Allen Wrench.
- 2 Remove the mounting plate from the canopy.

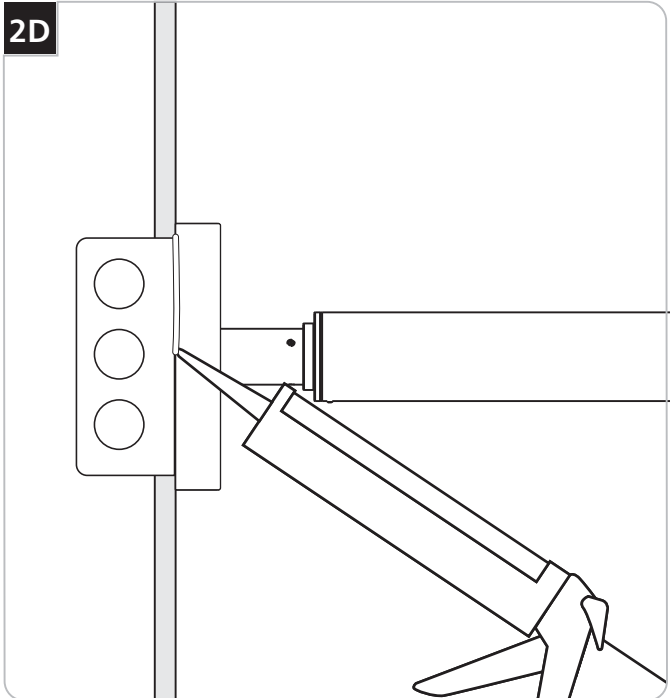


- 3 Mount the mounting plate to the electrical box using the provided #8-32 screws.



- 4 Connect the fixture to a suitable ground in accordance with local electrical codes.
- 5 Connect the fixture white wire to the neutral power line wire with a wire nut.
- 6 Connect the fixture black wire to the hot power line wire with a wire nut.
- 7 Properly place all wires and wire nut connections into the electrical box.
- 8 Mount the fixture by sliding it back onto the mounting plate and reinstalling the fixture screws (reversal of figure 1A).

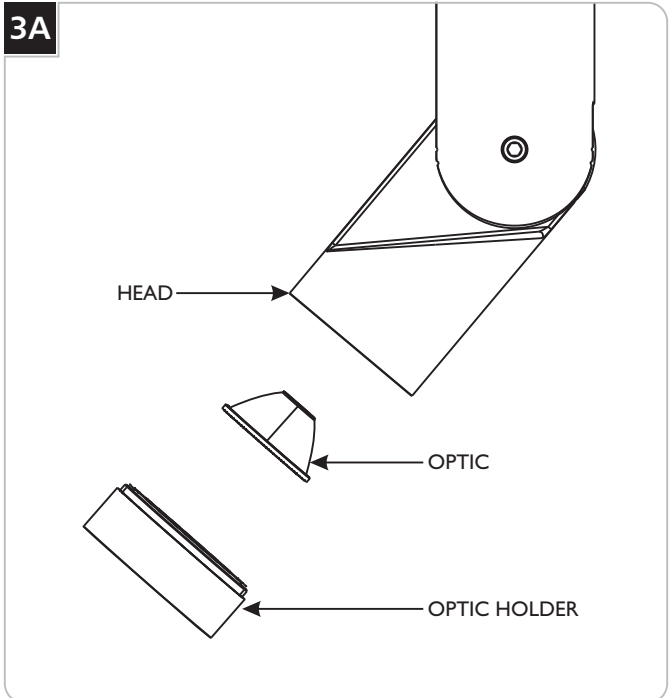
2D



9 For wall mounted fixtures in wet locations, caulk around the base with waterproof construction sealant.

## Install or Replace Optics

3A



- 1 Unscrew and remove the optic holder.
- 2 Remove old optic and replace with new one.
- 3 Screw the optic holder back into the head until fully secured.

**SAVE THESE INSTRUCTIONS!**



**TECH LIGHTING®**

7400 Linder Ave, Skokie, IL 60077

847.410.4400

[www.techlighting.com](http://www.techlighting.com)

© 2017 Tech Lighting, L.L.C. All rights reserved. The "Tech Lighting" graphic is a registered trademark of Tech Lighting, L.L.C. Tech Lighting reserves the right to change specifications for product improvements without notification.

A Generation Brands Company