

LOW-VOLTAGE PENDANTS

Akida Pendant



DESCRIPTION

A solid cylinder of optic crystal is hand-cut to create two elegant bands of light set off by the negative space of the Akida pendant light's handsome metal rings. Tech Lighting designers added a hand-blown frosted glass inner diffuser to gently soften the light and provide depth to this light fixture. Includes low-voltage, 35 watt halogen bi-pin lamp or 8 watt replaceable LED SORAA® module and six feet of field-cutable cable.

INSTALLATION

Socket terminates with FreeJack male connector, which may be installed into a system connector. Elements ordered with a system prefix include a connector for that system.

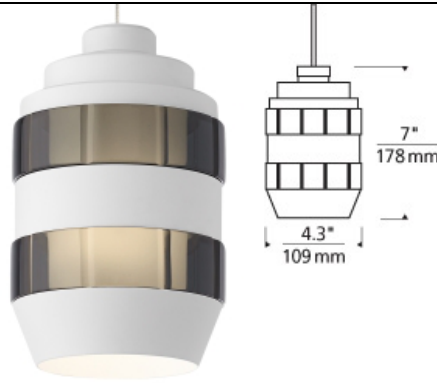
ACCESSORIES & OPTICAL CONTROLS

Swag Hook

WEIGHT

3.47lb / 1.57kg ±

COLOR OPTIONS



smoke-matte white



clear-matte black clear-matte white clear-satin nickel smoke-matte black smoke-matte white smoke-satin nickel

ORDERING INFORMATION

700 SYSTEM	AKD	COLOR	FINISH	LAMP			
FJ	FREEJACK	CB	CLEAR-MATTE BLACK	Z	ANTIQUÉ BRONZE	12 VOLT HALOGEN	
MP	MONOPOINT	CW	CLEAR-MATTE WHITE	S	SATIN NICKEL	-LEDS830	12 VOLT LED 80 CRI 3000K
MO	MONORAIL	CS	CLEAR-SATIN NICKEL	-24			24 VOLT HALOGEN
MO2	TWO-CIRCUIT MONORAIL	KB	SMOKE-MATTE BLACK				
		KW	SMOKE-MATTE WHITE				
		KS	SMOKE-SATIN NICKEL				

Note: MP includes 4" Round Flush Canopy.

When installing LED option on MO2 only magnetic transformers may be used.



TECH LIGHTING®
 7400 Linder Avenue T 847.410.4400
 Skokie, Illinois 60077 F 847.410.4500

Tech Lighting, L.L.C.

700 ____ AKD ____

FIXTURE TYPE: _____

JOB NAME: _____

NOTES: _____



©2015 Tech Lighting, L.L.C. All Rights Reserved. The "Tech Lighting" graphic is a registered trademark of Tech Lighting, L.L.C. Tech Lighting reserves the right to change specifications for product improvements without notification.