

# LINE - VOLTAGE HEADS

## Spot Ceramic Metal Halide PAR Head

### DESCRIPTION

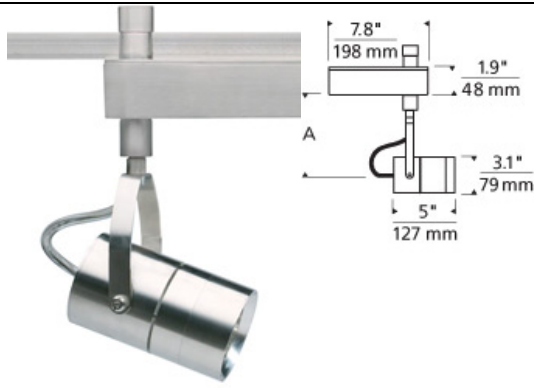
Classic die cast aluminum head, pivots vertically 180°, rotates horizontally 350°. Features vertical and horizontal locking mechanisms. Includes energy-saving electronic ballast in slim aluminum die-cast housing. Input voltage 120v 50/60 hertz, THD <10%. Power Jack version is compatible with Power Jack Canopy with Ballast (sold separately). Ceramic metal halide PAR20 lamp with E26 medium base up to 39 watts (lamp not included). Holds up to two lenses or louvers, sold separately.

### ACCESSORIES & OPTICAL CONTROLS

Colored Lens, Dichroic Lens, Diffuser Lens, Linear Spread Lens, Soft Focus Lens, UV Filter

### WEIGHT

3.1lb / 1.41kg ±



### ORDERING INFORMATION

| 700 SYSTEM | SPTC                  | SHAPE OR SIZE     | LENGTH (A) | FINISH         |
|------------|-----------------------|-------------------|------------|----------------|
| PJ         | POWERJACK             | 202 PAR20 20 WATT | 08 5.6"    | S SATIN NICKEL |
| TT         | SINGLE-CIRCUIT T-TRAK | 203 PAR20 39 WATT | 12 11.1"   | W WHITE        |
| TT2        | TWO-CIRCUIT T-TRAK    |                   |            |                |



700 \_\_\_\_ SPTC \_\_\_\_

FIXTURE TYPE: \_\_\_\_\_

JOB NAME: \_\_\_\_\_

NOTES: \_\_\_\_\_

\_\_\_\_\_

\_\_\_\_\_



©2014 Tech Lighting, L.L.C. All Rights Reserved. The "Tech Lighting" graphic is a registered trademark of Tech Lighting, L.L.C. Tech Lighting reserves the right to change specifications for product improvements without notification.