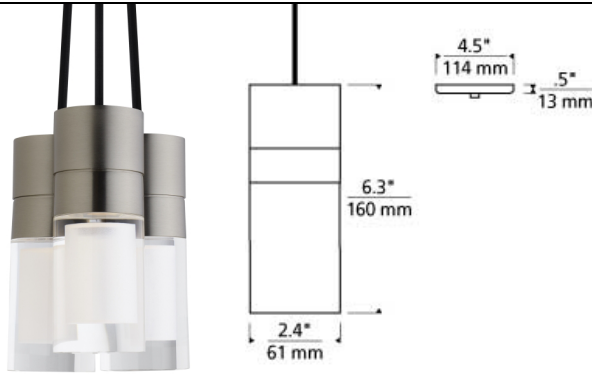


Sopra Pendant LED

DESCRIPTION

The Sopra Pendant light by Tech Lighting features an elegantly crafted sphere of laser etched pure optic crystal that has been shaped into a neat cylinder shade. A cleverly hidden powerful downward-firing LED illuminates the crystal within the minimalist socket and canopy. Further customize the Sopra by choosing from a Satin Nickel or Chrome finish, each finish further enhances the elegance of this unique pendant. Modest in scale the Sopra is ideal for living room lighting, home office lighting and bedroom lighting. Carry the Sopra into other spaces with the Flush Mount fixture also available by Tech Lighting, simply search for the Sopra Pendant to find its closest relatives. The Sopra comes with energy efficient fully dimmable integrated LED lamping. Includes 120v 14.5 watt, 130 delivered lumens, 3000K LED module. Dimmable with low-voltage electronic.



WEIGHT

2.0-4.5lb / 0.91-2.04kg ±



clear



aged brass



clear 3-light

ORDERING INFORMATION

| 700 | SYSTEM | SPRP | SHAPE OR SIZE | COLOR | FINISH | LAMP |
|-----|----------------------------------|------|-------------------|---------------|----------------|---|
| TD | LINE-VOLTAGE PENDANTS/SUSPENSION | 1 | 1-LITE PENDANT | C CLEAR | B BLACK | - INTEGRATED LED 90 CRI 2200K 120V (T24) |
| | | 3 | 3-LITE CHANDELIER | I BLACK/WHITE | R AGED BRASS | LED922 |
| | | | | U BLUE | B BLACK | - INTEGRATED LED 90 CRI 3000K 120V (T24) |
| | | | | P COPPER | S SATIN NICKEL | LED930 |
| | | | | Y GRAY | | - INTEGRATED 90 CRI WARM COLOR DIMMING 3000-LEDWD2200K 120V (T24) |
| | | | | O ORANGE | | - LED 90 CRI WARM COLOR DIMMING 3000K-2200K 120V LEDWD |
| | | | | R RED | | |
| | | | | W WHITE | | |



TECH LIGHTING®

7400 Linder Avenue
Skokie, Illinois 60077

T 847.410.4400
F 847.410.4500

Tech Lighting, L.L.C.

700 _____ SPRP _____

FIXTURE TYPE: _____

JOB NAME: _____

NOTES: _____



©2018 Tech Lighting, L.L.C. All Rights Reserved. The "Tech Lighting" graphic is a registered trademark of Tech Lighting, L.L.C. Tech Lighting reserves the right to change specifications for product improvements without notification.