

# LOW-VOLTAGE HEADS

## T156 Head

### DESCRIPTION

High-tech head swivels 360°; head tilts in yoke. Low-voltage, MR16 lamp of up to 75 watts (not included). May be accessorized with Gobo Holder. Works with SORAA.

### INSTALLATION

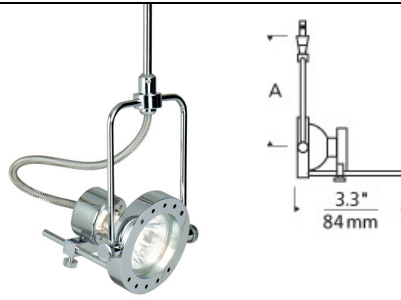
Socket terminates with FreeJack male connector, which may be installed into a system connector. Elements ordered with a system prefix include a connector for that system.

### ACCESSORIES & OPTICAL CONTROLS

Gobo Holder

### WEIGHT

1.25-1.85lb / 0.57-0.84kg ±



t156 head

### ORDERING INFORMATION

700 SYSTEM	156	LENGTH (A)	FINISH
FJ	FREEJACK	45 5.5"	C CHROME
MP	MONOPOINT	06 6"	S SATIN NICKEL
MO	MONORAIL	12 12"	
MO2	TWO-CIRCUIT MONORAIL	18 18"	

Note: MP includes 4" Round Flush Canopy.



**TECH LIGHTING®**  
 7400 Linder Avenue T 847.410.4400  
 Skokie, Illinois 60077 F 847.410.4500

**Tech Lighting, L.L.C.**

700	___	156	___	___
FIXTURE TYPE: _____				
JOB NAME: _____				
NOTES: _____				
_____				
_____				



©2015 Tech Lighting, L.L.C. All Rights Reserved. The "Tech Lighting" graphic is a registered trademark of Tech Lighting, L.L.C. Tech Lighting reserves the right to change specifications for product improvements without notification.