

FLUSH & SEMI-FLUSH MOUNT

TL 360 Ceiling



DESCRIPTION

Round shaped glass shade mounts flush to plated formed base. Provides general light. May be mounted on the ceiling or wall. Available in two lamp configurations; incandescent and fluorescent. Large incandescent includes two 120 volt, 40 watt G9 base halogen lamps; large fluorescent includes two 13 watt 2GX7 base twin tube lamps and electronic ballast; small incandescent includes one 120 volt, 40 watt G9 base halogen lamp. Incandescent version dimmable with a standard incandescent dimmer. Suitable for wet locations. ADA compliant.

INSTALLATION

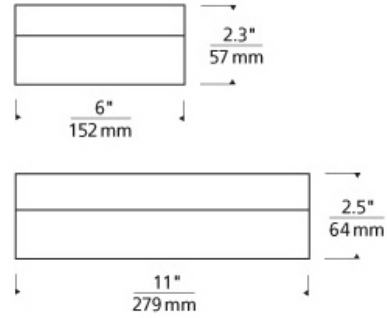
Mounts to a standard 4" square junction box with round plaster ring (provided by electrician).

WEIGHT

9.1lb / 4.13kg ±



frost



ORDERING INFORMATION

700FM360 SHAPE OR SIZE		COLOR	FINISH	LAMP
L	LARGE	FROST	Z ANTIQUE BRONZE	INCANDESCENT
S	SMALL		S SATIN NICKEL	-CF COMPACT FLOURESCENT
				-CF277 COMPACT FLUORESCENT 277V

Compact fluorescent lamp option available only with Large Size.



TECH LIGHTING®

7400 Linder Avenue T 847.410.4400
Skokie, Illinois 60077 F 847.410.4500

Tech Lighting, L.L.C.

700FM360	_____
FIXTURE TYPE:	_____
JOB NAME:	_____
NOTES:	_____



©2014 Tech Lighting, L.L.C. All Rights Reserved. The "Tech Lighting" graphic is a registered trademark of Tech Lighting, L.L.C. Tech Lighting reserves the right to change specifications for product improvements without notification.