

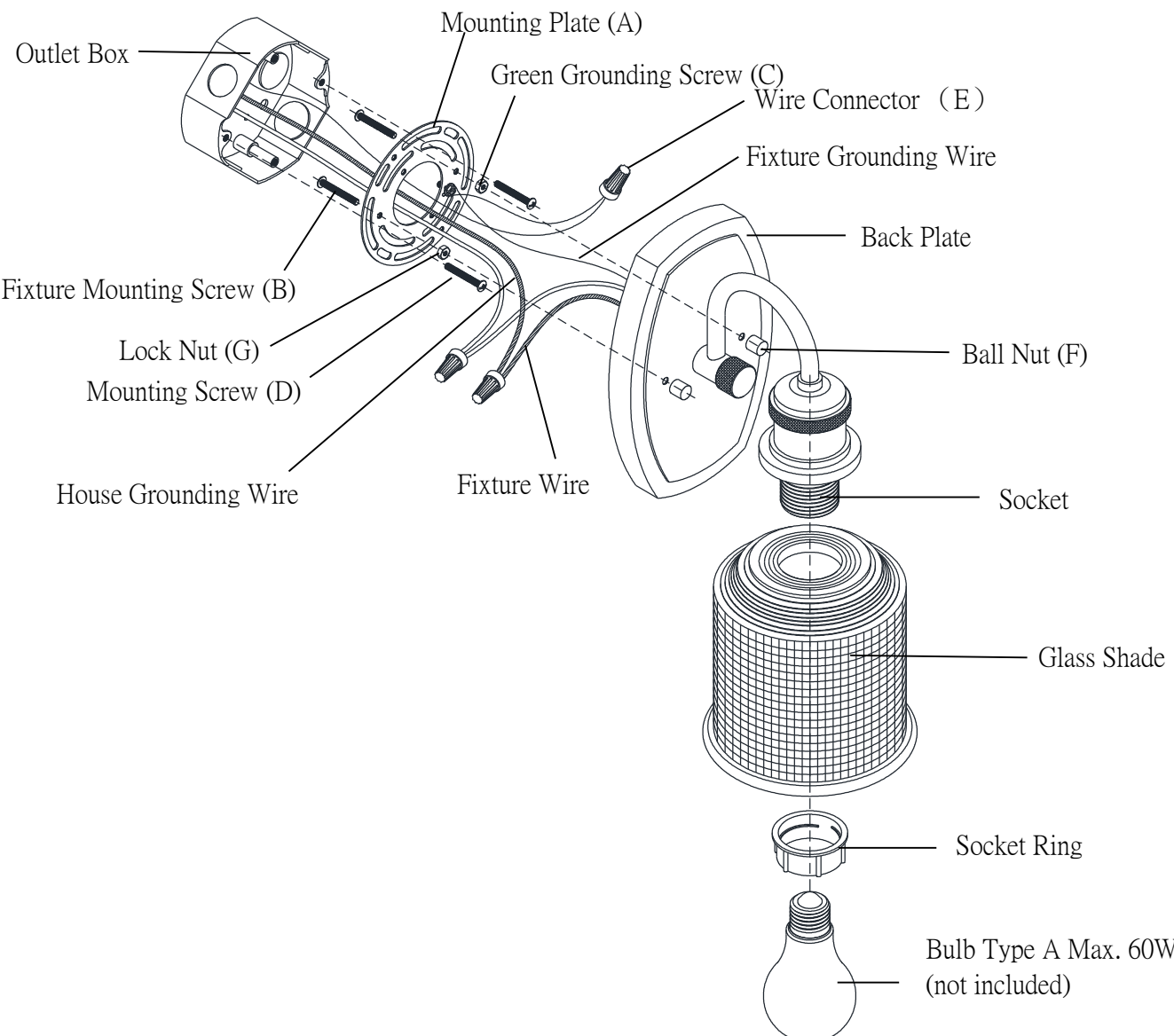
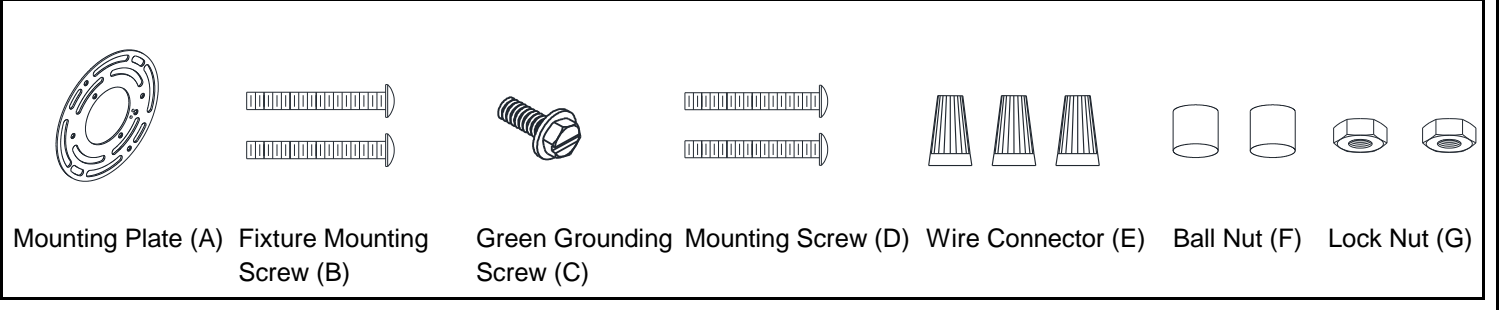
ASSEMBLY AND INSTALLATION INSTRUCTIONS

W0279

WARNING: TO AVOID RISK OF ELECTRICAL SHOCK, BE SURE TO SHUT OFF POWER BEFORE INSTALLING OR SERVICING THIS FIXTURE.

NOTES: 1. Before installing, consult local electrical codes for wiring and grounding requirements.
2. READ AND SAVE THESE INSTRUCTIONS.

Hardware Package (included):



Installation Steps

Turn off the power at fuse or circuit box



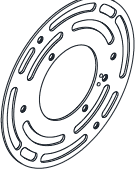
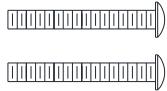

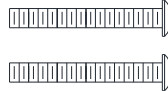

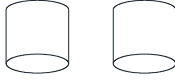
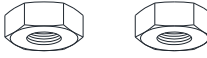
20181008

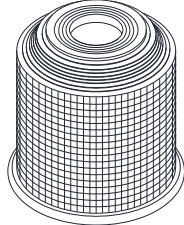
1. Thread two fixture mounting screws through the mounting plate, and then secure them with two lock nuts. Adjust the length of the fixture mounting screws if necessary.
Note: Make sure that the fixture mounting screws are lined up horizontally to make the fixture level.
2. Attach the mounting plate to the outlet box by using two mounting screws.
3. Pull out the source wires from the outlet box. Make wire connections using wire connectors as follows:
 - Connect the hot wire (usually black insulation) from the fixture to the black wire from the power source.
 - Connect the neutral wire (usually white insulation) from the fixture to the white wire from the power source.
 - Attach the fixture grounding wire (usually green insulation or bare wire) to the mounting plate with the green grounding screw, and then connect it to the house grounding wire with the wire connector.
 Carefully put the wires back into the outlet box.
4. Attach the back plate to the mounting plate by inserting two fixture mounting screws, and then secure it with two ball nuts.
5. Attach the glass shade to the glass holder, and then secure them with socket ring.
6. Install bulb (not included). Check relamping label at socket area or packaging for maximum allowed wattage.

Turn on the power at fuse or circuit box

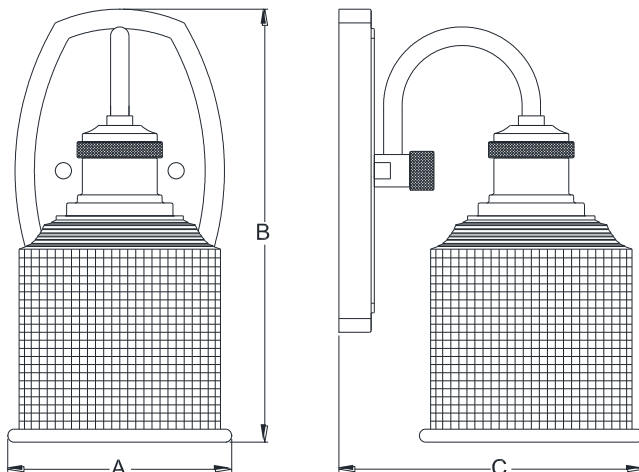
The following parts are available for re-order if damaged or missing.

Spare Parts List:

				← Assembly Kit 5978MM (1 SET)
Mounting Plate (A)	Fixture Mounting Screw (B)	Green Grounding Screw (C)	Mounting Screw (D)	
				
Wire Connector (E)	Ball Nut (F)	Lock Nut (G)		



Glass Shade
10025PR (1PC)



- A: 5-1/2"
- B: 10-1/2"
- C: 7-1/2"

