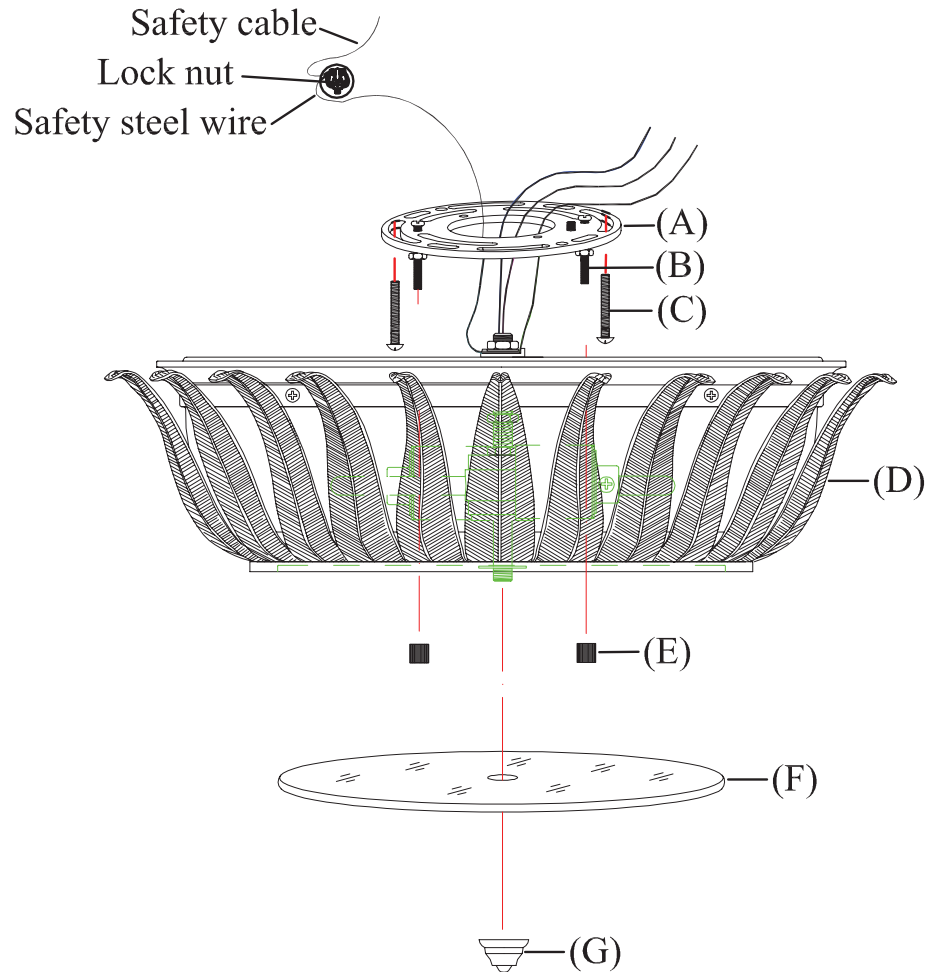


ASSEMBLY INSTRUCTIONS



Audrey Flush Mount

Item # AH4000

WE RECOMMEND INSTALLATION OF THIS LIGHTING FIXTURE BE DONE BY A LICENSED ELECTRICIAN.

WARNING * SWITCH OFF THE MAIN ELECTRICAL SUPPLY FROM THE MAIN FUSE BOX/CIRCUIT BREAKER BEFORE INSTALLATION.**

INSPECT ITEM CAREFULLY BEFORE ATTEMPTING TO INSTALL. IF THERE IS ANY DAMAGE OR OBVIOUS DEFECT, DO NOT INSTALL.

ITEM MAY NOT BE RETURNED ONCE IT HAS BEEN INSTALLED.

1. Remove mounting plate (A) from fixture base (D) by unscrewing cap nuts (E).
2. Connect the safety steel wire from the fixture to the safety cable from ceiling with lock nut.
3. Connect the hot wire from the fixture (BLACK) to the hot wire from ceiling outlet box (usually BLACK). Fasten them together with a plastic wire connector provided and wrap connection with electrical tape.
4. Repeat this procedure for the WHITE neutral wires from the light fixture to the wire from ceiling outlet box (usually WHITE).
5. Connect ground wire from the light fixture (GREEN) to ground wire from ceiling outlet box (usually green or copper in color).
6. Affix mounting plate (A) onto ceiling outlet box and secure with mounting screws (C).
7. Attach fixture base (D) to affixed mounting plate (A), letting rods (B) pass through the holes on fixture base (D), and secure with cap nuts (E).
8. Insert light bulbs into sockets.
9. Attach diffuser (F) to the bottom of fixture base (D), letting threaded rod at bottom of (D) pass through center hole of the diffuser (F).