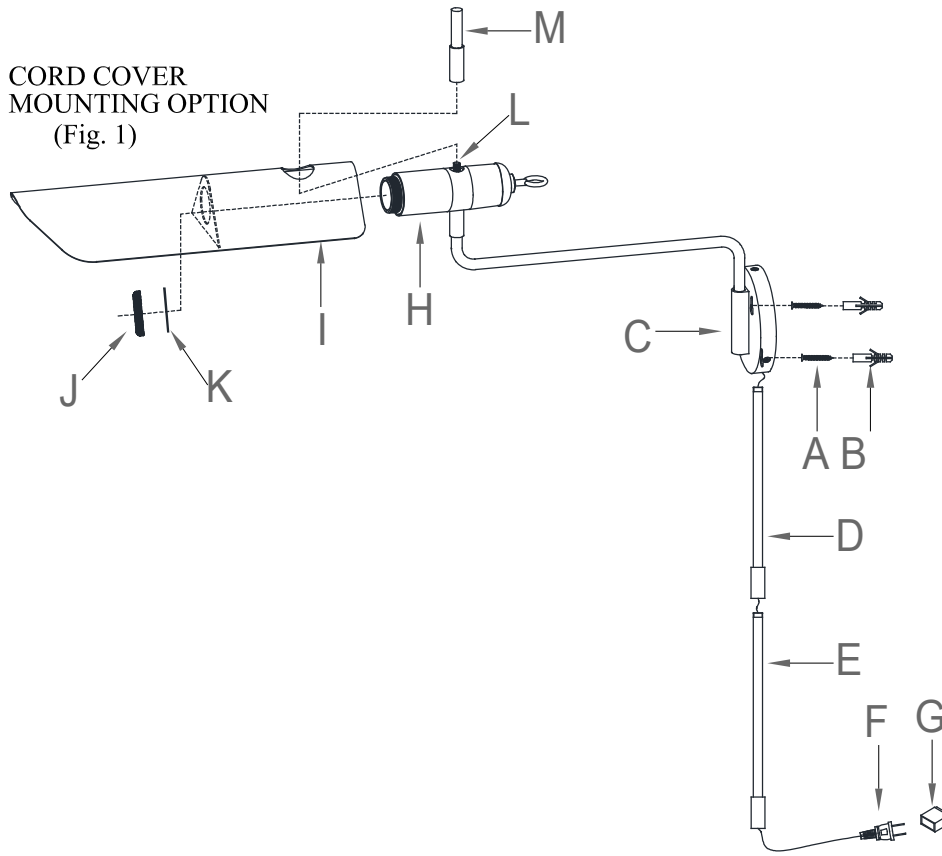
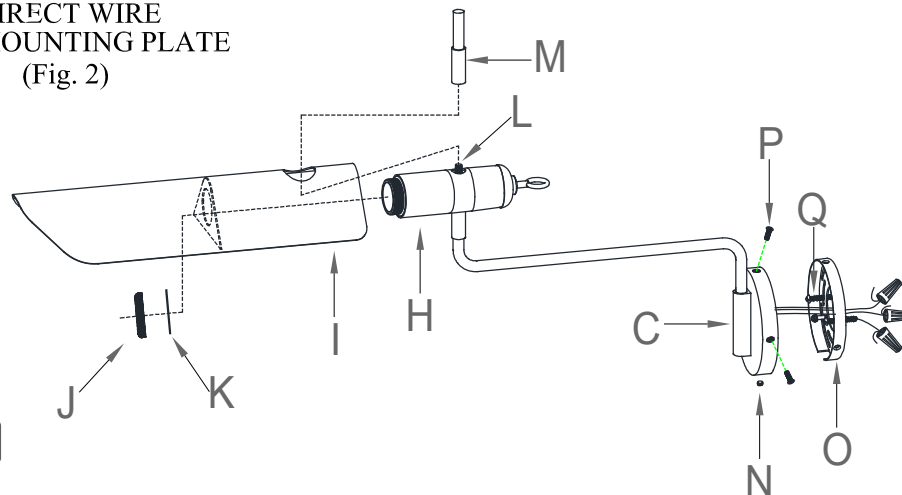


ASSEMBLY INSTRUCTIONS

CORD COVER
MOUNTING OPTION
(Fig. 1)



DIRECT WIRE
MOUNTING PLATE
(Fig. 2)



Miles Swing Arm Wall Light Item # CHD 2724

WE RECOMMEND INSTALLATION OF THIS LIGHTING FIXTURE BE DONE BY A LICENSED ELECTRICIAN.

WARNING * SWITCH OFF THE MAIN ELECTRICAL SUPPLY FROM THE MAIN FUSE BOX/CIRCUIT BREAKER BEFORE INSTALLATION.**

INSPECT ITEM CAREFULLY BEFORE ATTEMPTING TO INSTALL. IF THERE IS ANY DAMAGE OR OBVIOUS DEFECT, DO NOT INSTALL.

ITEM MAY NOT BE RETURNED ONCE IT HAS BEEN INSTALLED.

TO ASSEMBLE:

*** (PORTABLE ASSEMBLY) *** (See Fig. 1)

1. Remove all parts carefully from the box.
2. Screw threaded nipple of cord cover (D) into bottom threaded opening of fixture base (C). Thread cord cover (E) into cord cover (D) and hand tighten.
3. Measure the distance for the center points between both mounting holes at back of fixture base (C). Mark two points with the same distance on the wall, make sure they are horizontal with each other.
4. Drill small holes at both points, the holes should be big enough to accommodate with plastic anchors (A). Install plastic anchors (A) into the holes in the wall.
5. Insert mounting screws (B) into plastic anchors (A), make sure screw head with 1/8" of threads are visible.
6. Hook fixture base (C) onto both screws (B).
7. Remove socket ring (J) and washer (K) from socket (H).
8. Attach the shade (I) onto socket (H) and secure with washer (K) and socket ring (J).
9. Screw finial (M) onto threaded rod (L).
10. Insert the specified light bulb (not included) into socket.
11. Remove plastic cover (G) from plug (F).
12. Plug lamp into wall outlet.

*** (HARD WIRE INSTALLATION) *** (See Fig. 2)

We strongly recommend that a professional electrician install the fixture.

Switch off the main electrical supply from the main fuse box/circuit breaker before installation.

1. Remove the mounting plate from fixture base (C) by removing base screws (P).
2. Attach mounting plate (O) to wall outlet box with mounting screws (Q) provided while guiding wiring from wall outlet through center hole in mounting plate (O).
3. Cut fixture cord twelve inches away from fixture base (C) and remove by grasping plug (F) and pulling out of cord cover (D & E).
4. Insert the plug (N) to the threaded hole left by the cord cover.
5. Connect the ground screw (green color) of the fixture to the bare copper ground wire in the box. The insulation on the fixture cord that was cut in step 3 has a smooth side and a ribbed side. Separate wires and strip back about 5/8", connect the smooth wire to the hot wire in the outlet box (usually black) and wrap in electrical tape. Connect the ribbed wire to the neutral wire in the outlet box (usually white) and wrap in electrical tape. Do not reverse connections or safety can be compromised.
6. Attach fixture base (C) to the affixed mounting plate (O), and secure with base screws (P).
7. Follow the steps of 7, 8, 9 of PORTABLE ASSEMBLY
8. Insert the specified light bulb (not included) into socket.

*** Clean with a dry, soft cloth only. Use no harsh abrasives or chemical agents.



VISUAL COMFORT & Co. Est. 1987