

INSTALLATION INSTRUCTION
ROUND
 FM-07RN, FM-11RN, FM-15RN

INSTALLATION FOR FM-15RN

Uses 3" junction box, 4" junction box or a combination 3/0-4/0 electrical box.

1. Provide electrical service according to the "National Electrical Code" or your local electrical code to the outlet box.
2. Remove the mounting plate from the rest of the fixture by rotating it counter clockwise. Disconnect the quick connect cable between the mounting plate and the fixture.
3. Connect supply wires to input wires on the mounting plate and insulate with proper wire nuts:
 Connect incoming ground wire to mounting plate ground wire (green or bare).
 Connect incoming common wire to fixture common (white).
 Connect incoming hot wire to fixture black wire.
4. Install the provided mounting plate to the junction box using the junction box screws provided.
Note: To guarantee a secure installation of the mounting plate, please fasten additional screws (that are appropriate for your mounting surface) to tighten the mounting plate directly to the mounting surface.
5. Clip the retention cable into the retention cable slot on the mounting plate.
6. Reconnect the quick connect cables between the mounting plate and fixture. Push the wires and connector into the junction box through semi-circle opening on the mounting plate.
7. Raise the fixture to mounting plate and guide the metal clips through the slots in the mounting plate until the fixture is flush with the mounting surface.
8. Rotate the fixture clockwise until fully tightened with the mounting surface.

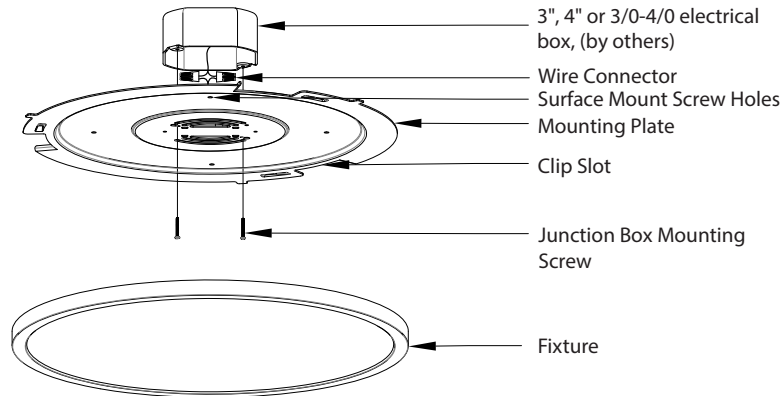


Fig. 3

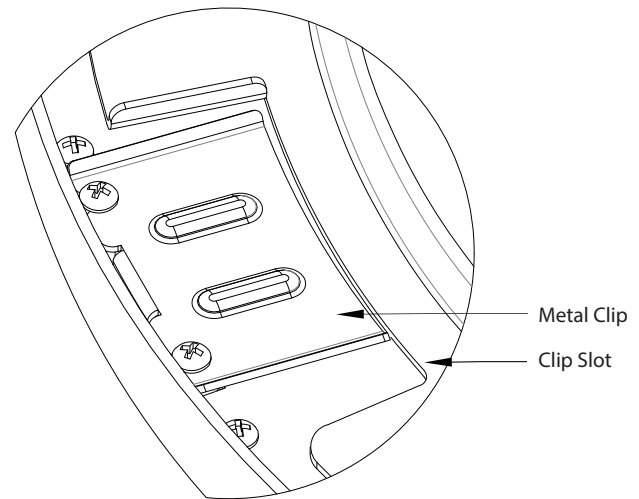


Fig. 4