

# INSTALLATION INSTRUCTION

## Tube Architectural - Pendant

DS-PD05, DS-PD06, DS-PD08

**WAC LIGHTING**  
Responsible Lighting®

### WARNING

IMPORTANT: NEVER attempt any work without shutting off the electricity.

- Read all instructions before installing.
- System is intended for installation by a qualified electrician in accordance with the National Electrical Code and local regulations.
- Go to the main fuse box, or circuit breaker. Place the main power switch in the "OFF" position and unscrew the fuse(s) or switch "OFF" the circuit breaker switch (es) that control the power to the fixture or room that you are working on.
- Place the wall switch in the "OFF" position.

### AVERTISSEMENT

IMPORTANT : Coupez l'électricité avant TOUTE manipulation.

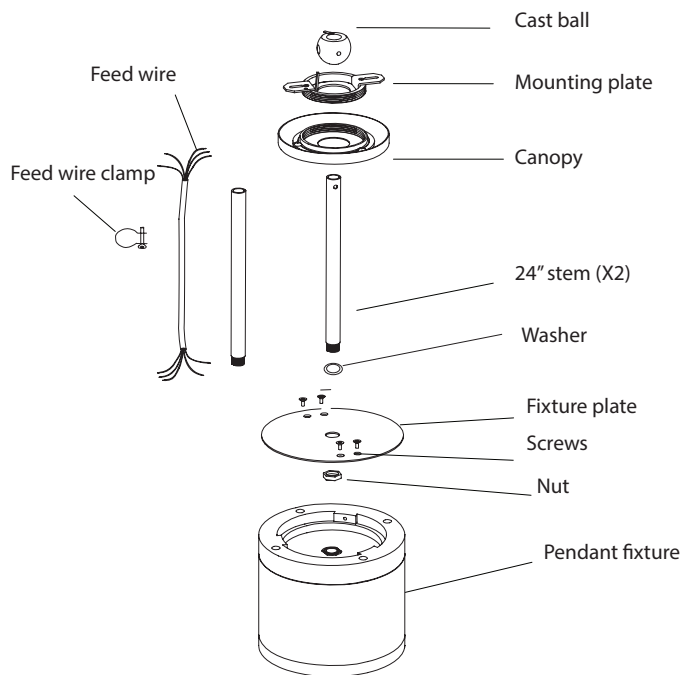
- Lisez toutes les instructions avant d'installer.
- Système est destiné à être installé par un électricien qualifié en conformité avec le code national de l'électricité et les règlements locaux.
- Accédez au panneau central de disjoncteurs ou de fusibles de votre demeure et placez l'interrupteur principal en position d'arrêt (« OFF »).
- Placez l'interrupteur mural en position d'arrêt (« OFF »).

### FIXTURE INSTALLATION

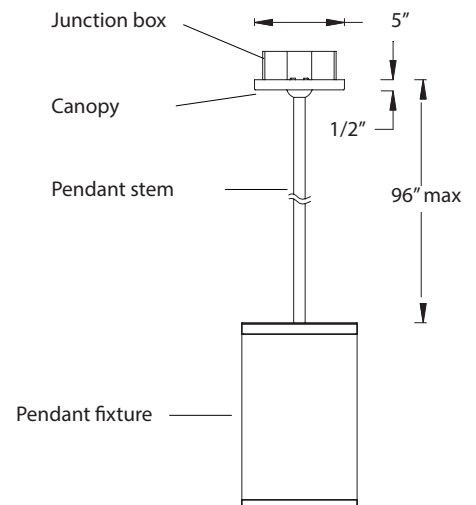
1. Carefully unpack fixture and lay out all the parts on a clear area. Be careful not to lose any small parts necessary for installation.

Refer to **Fig.1**

**Fig.1**



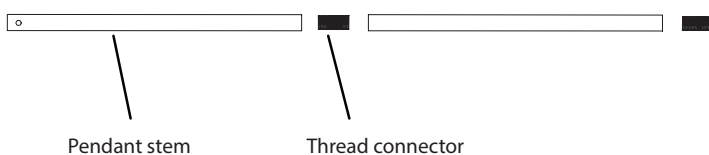
**Fig.2**



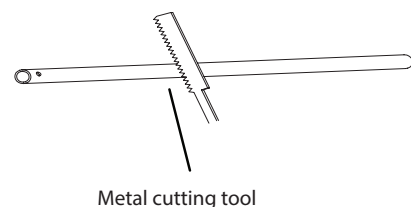
2. Determine desired height. Combine stems together and /or field cut stems as necessary to achieve desired suspension height.

Note: additional stems (p/n DS-PDX24) can be combined for a maximum length of 96". Refer to **Fig. 2-4**

**Fig.3**



**Fig.4**



wacighting.com  
Phone (800) 526.2588  
Fax (800) 526.2585

Headquarters/Eastern Distribution Center  
44 Harbor Park Drive  
Port Washington, NY 11050

Central Distribution Center  
1600 Distribution Ct  
Lithia Springs, GA 30122

Western Distribution Center  
1750 Archibald Avenue  
Ontario, CA 91760

# INSTALLATION INSTRUCTION

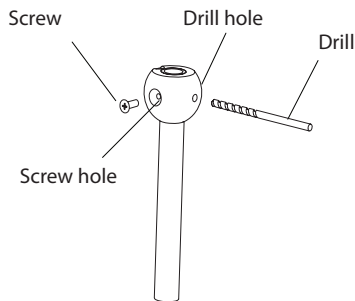
## Tube Architectural - Pendant

DS-PD05, DS-PD06, DS-PD08

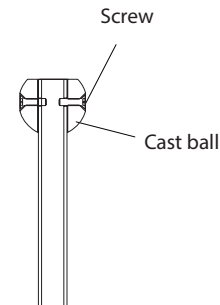
WAC LIGHTING  
Responsible Lighting®

- Align the top of the cast ball with the top of the cut pendant stem and temporarily lock it in place by tightening one of the screws into the side of the stem. Use the provided drill bit to drill a hole through the stem wall using the unthreaded hole.
- Loosen the screw. Rotate the cast ball 180° and retighten the screw. Drill another hole using the unthreaded hole on the other side of the stem wall.
- Loosen the screw. Rotate the cast ball 90° and fully lock both screws through the two tap holes to secure the cast ball.  
(Refer to **Fig. 5 and 6**)

**Fig.5**

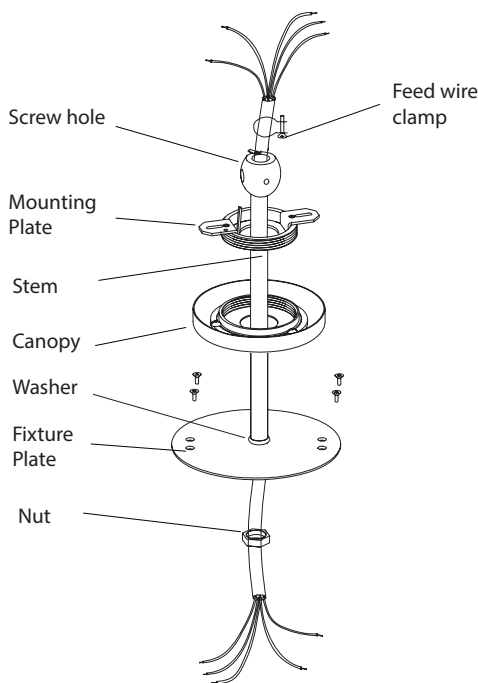


**Fig.6**

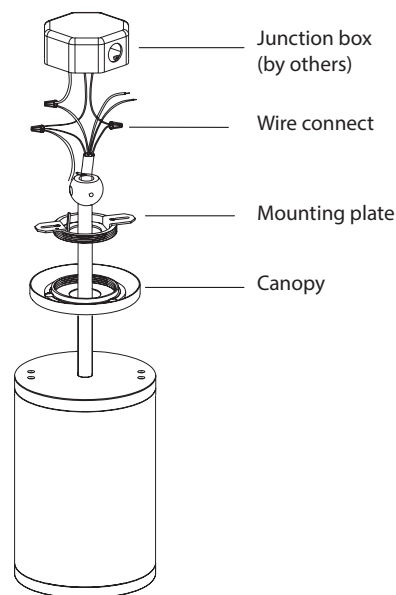


- Align the pendant assembly- Refer to **Fig. 7**. Tighten bottom nut securely. Guide fixture wire up through assembly. Note: for longer suspensions lengths, it may be necessary to replace the existing fixture wire with longer feedwire provided in fixture package. Rotate plate clockwise, and secure it to fixture body using screws and gasket. Secure wire feed with clamp above cast ball.
- Pull power supply wires out of junction box. Connect black fixture wire to hot wire, white fixture wire to neutral wire and green fixture wire to ground. For 0-10V dimming, connect purple fixture wire to hot dimming wire and gray fixture wire to neutral dimming wire. If not utilizing dimming, terminate the dimming wires by capping them separately. After wires are connected securely, tuck them carefully inside the junction box. Refer to **Fig.8**
- Secure mounting plate to junction box using junction box screws. Raise the canopy to the mounting plate and rotate clockwise until secure to the ceiling. Refer to **Fig.9**

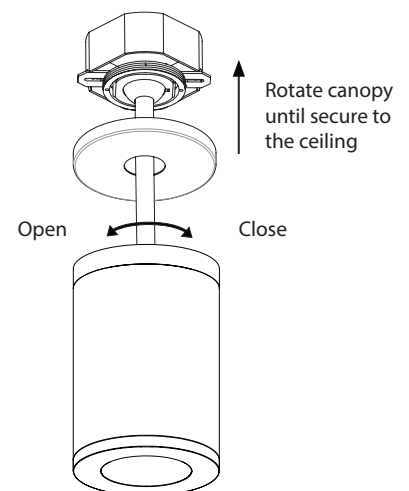
**Fig.7**



**Fig. 8**



**Fig. 9**



waclighting.com  
Phone (800) 526.2588  
Fax (800) 526.2585

Headquarters/Eastern Distribution Center  
44 Harbor Park Drive  
Port Washington, NY 11050

Central Distribution Center  
1600 Distribution Ct  
Lithia Springs, GA 30122

Western Distribution Center  
1750 Archibald Avenue  
Ontario, CA 91760

# INSTALLATION INSTRUCTION

## Tube Architectural - Pendant

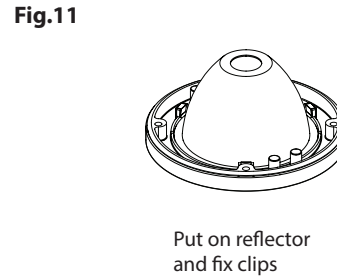
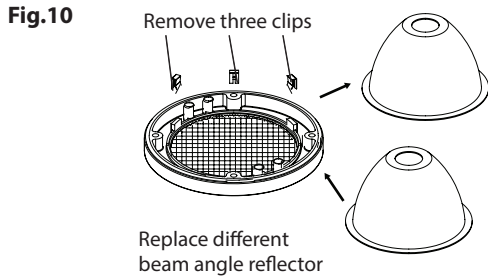
DS-PD05, DS-PD06, DS-PD08

# WAC LIGHTING

Responsible Lighting®

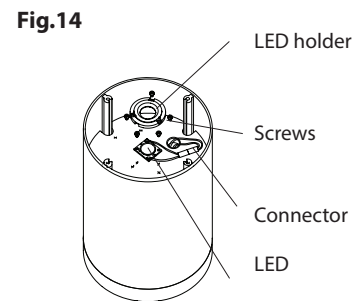
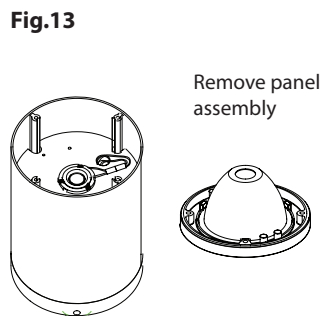
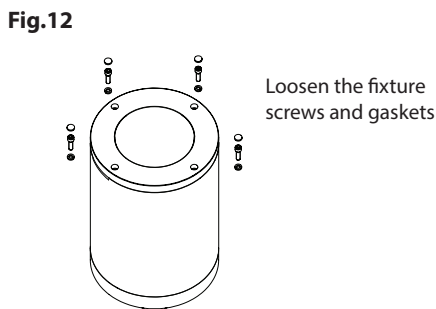
### REFLECTOR REPLACEMENT

1. Remove panel assembly by loosening the fixture screw and gasket, remove three chips to change reflector. (**Fig.10**)
2. Replace your beam angle reflector on panel and fix the clips. (**Fig.11**)



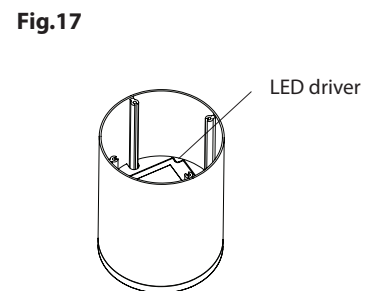
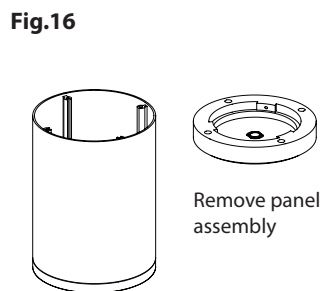
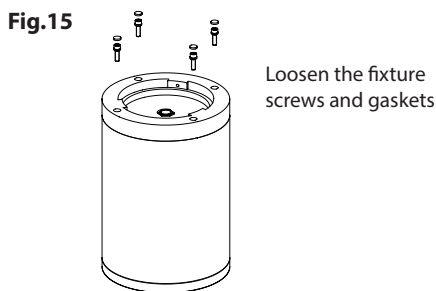
### LED REPLACEMENT

1. Loosen the fixture screw and gasket (**Fig.12**), remove the panel assembly (**Fig.13**).
2. Loosen the LED holder and LED screws, carefully disconnect LED connector from driver connector and replace LED by removing driver mounting screws. (**Fig.14**).



### DRIVER REPLACEMENT

1. Loosen the screw and gasket (See **Fig.15**), remove the cover assembly (See **Fig.16**).
2. Loosen the LED driver screws, carefully disconnect LED driver connector from LED connector and replace driver by removing driver mounting screws. (See **Fig.17**).



### COMPLETING THE INSTALLATION

To prevent moisture from entering the outlet box and causing a short, use clear caulking (i.e. indoor/outdoor silicone sealant) to outline the outside of fixture plate where it meets the wall leaving a space at bottom to allow moisture a means to escape.

wacighting.com  
Phone (800) 526.2588  
Fax (800) 526.2585

Headquarters/Eastern Distribution Center  
44 Harbor Park Drive  
Port Washington, NY 11050

Central Distribution Center  
1600 Distribution Ct  
Lithia Springs, GA 30122

Western Distribution Center  
1750 Archibald Avenue  
Ontario, CA 91760